

# Residential Range

## Wall Lights

### Traditional Wall Light

Product Code	LED's	Battery	Solar Panel	IP Rating	Lumens
SLDWL0018A-PIR	30 x SMD @0.2W (CW) 1 x SMD @0.2W (WW)	1 x 3.7v 4400mAh Lithium	4W Integrated Polycrystalline	44	350 @ 1m
SLDWL0008A-PIR	30 x SMD @0.2W (CW) 1 x SMD @0.2W (WW)	1 x 3.7v 4400mAh Lithium	4W Integrated Polycrystalline	44	350 @ 1m

#### Features:

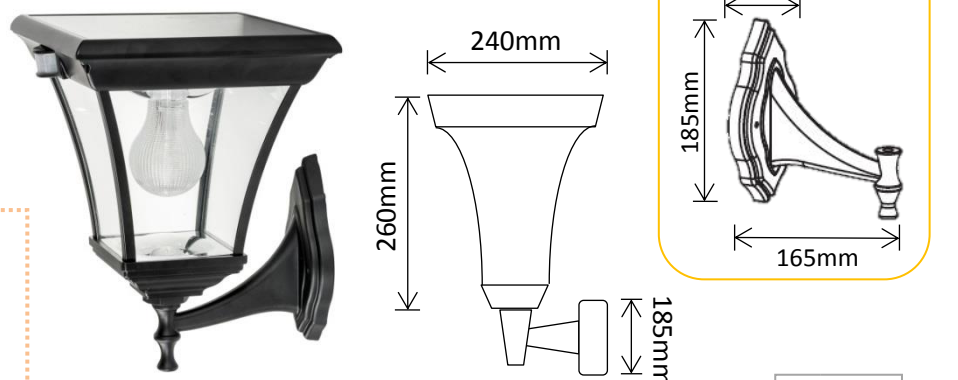
- Pyro-electric Infrared Sensor
- Aluminium Alloy Construction
- Manual Over-ride on Sensor
- Approximately 8-10 hours Operation
- Approximately 1 minute Sensor duration
- Wall Mounting Bracket
- Glass Lampshade Panels
- Black P.C. Finish

SLDWL0018A-6.2W-PIR



#### 1 Year Warranty!

SLDWL0008A-6.2W-PIR



#### Packaged Fitting Weight & Dimensions

W: 3.3kg  
D: 35cm x 33cm x 32.5cm