

# Industrial Range

## Street Lights

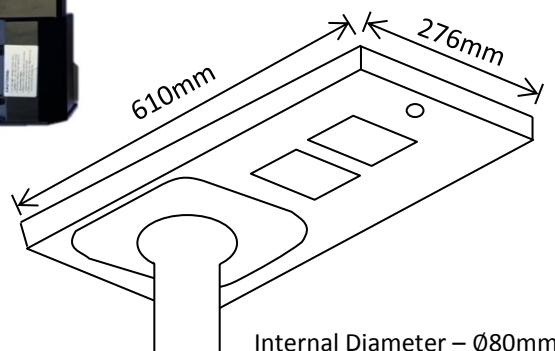
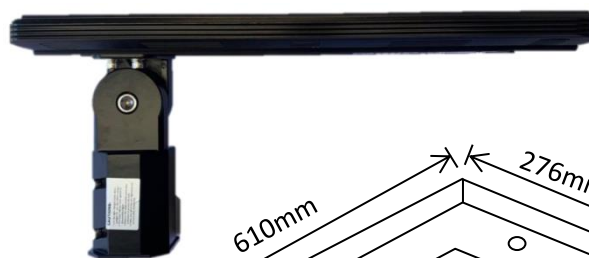
### Street Light – “Shoe Box”

| Product Code   | LED's                              | Battery                         | Solar Panel                            | IP Rating | Lumens    |
|----------------|------------------------------------|---------------------------------|--|-----------|-----------|
| SLDSTL-15W-AIO | 160LM/W USA Cree LEDs (Cool White) | 1 x 3.7V 26.4Ah Lithium LiFePO4 | 20W Integrated Monocrystalline Silicon | 65        | 2400 @ 1m |

#### Features:

- Aluminium Alloy (Oxidation) Construction
- Integrated MPPT Smart Controller
- Approximately 6–8 hours Charging Time
- Integrated PIR Control
  - 30% Illumination operation, 100% Illumination for approx. 10 mins when the sensor is triggered
- All-In-One Construction
- Adjustable Spigot
- Strength & Durability Rating: IK10

**2 Year Warranty!**



#### Packaged Fitting Weight & Dimensions

W: 8.9kg

D: 67cm x 34cm x 16.5cm