



INSTRUCTION GUIDE

Post Top Light

Model No. SLDPT3W/BLK-WW & SLDPT3W/WHT-CW

PACKAGE CONTENTS

- 1 x Light Fitting
- 1 x Mounting Bracket
- 4 x Screws



FEATURES

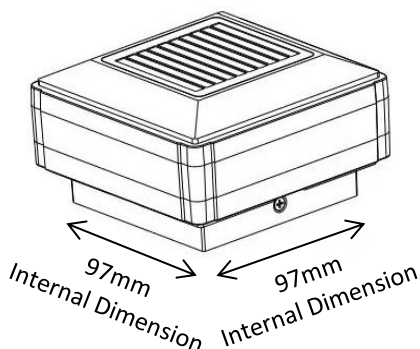
1. Built in Photo Electric Cell (Day/Night Sensor)
2. 6-8 hours Operation every day
3. Flush Mounting Position
4. Tempered Glass
5. Charging Time: 6 hours

Installation to suit 97mm x 97mm post

1. Remove contents from packaging
2. Choose your desired installation location.
Please ensure that you situate your fitting where it will receive maximum direct exposure to sunlight throughout the day.
3. Locate the on/off switch on the underside of your light and press once to activate.
When the inner section of the on/off switch is depressed this indicates the on position.
4. Fix the Post Top on top of your post and secure using the supplied fixing screws

Installation to suit all other posts

5. Follow Steps 1-3 above
6. Install the mounting bracket to the top of your post using the supplied screws, ensuring the bracket arms are facing UPWARDS. Then place your Post Top on to the bracket and secure with the screws on either side.



IMPORTANT NOTES

- **Please ensure you place your light in a location where it can achieve a minimum of 6HRS DIRECT SUNLIGHT exposure.**
- Be aware that on overcast/cloudy days, the solar panel will still charge. However, not as efficiently as a sunny day, so the battery may not reach full capacity. Therefore, your light may turn off earlier than specified.
- It's best not to install these lights underneath a street light, porch light etc. because this may stop the automatic day-night sensor triggering and result in your lights not turning on.

TROUBLE SHOOTING

Phenomenon	Cause	Inspection Method	Solution
Light won't turn on	Switch hasn't been turned on	Determine what position the switch is in	Turn the switch on
	Battery has run flat	Period of rainy or cloudy weather or installation site doesn't provide enough direct sunlight	Charge the light in direct sunlight for 1-2 days then check again
The light only stays on for a short amount of time	Low Battery	1. Bad installation site for the solar panel 2. Dust or leaves are covering the panel 3. Long period of overcast weather	1. Charge the battery in direct sunlight for 1-2 days with the switch off, then check again 2. Clean the solar panel
	Battery Failure	1. Access the light and & replace battery 2. Battery has matured	Contact SLD Customer Service to buy new batteries