

# Double Post Light



30x SMD LED  
(Cool White)  
@ 0.2wea\*



1x SMD LED  
(Warm White)  
@ 0.2wea\*



1x 3.7V  
4.4Ah NiMH\*



4W Integrated  
Polycrystalline\*



IP  
44  
Dust & Water  
Protection\*

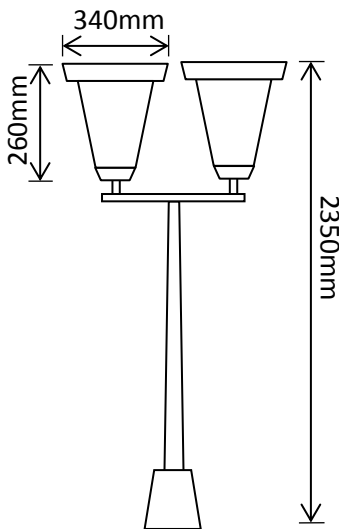


AL  
Aluminium Alloy  
Construction\*



LM  
350 Lumens  
at 1 metre\*

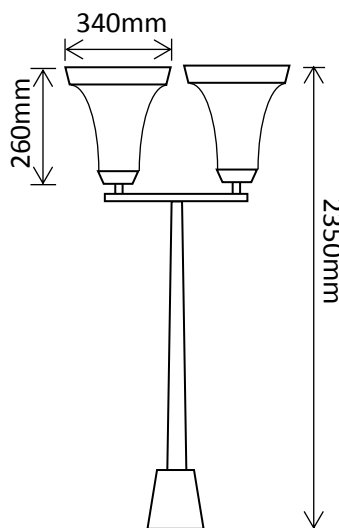
\*specifications per light



## SLDPL0018B-12.4W

### Features:

- Built in Photo Electric Cell
- High/Low Setting
- 6-8 hours Operation per day
- Tapered Aluminium Post
- Decorative Mounting Base
- Glass Lampshade
- Black P.C. Finish
- **1 Year Warranty!**



## SLDPL0008B-12.4W

### Features:

- Built in Photo Electric Cell
- High/Low Setting
- 6-8 hours Operation per day
- Tapered Aluminium Post
- Decorative Mounting Base
- Glass Lampshade
- Black P.C. Finish
- **1 Year Warranty!**

