

Residential Range

Post Lights

Single Post Light

Product Code	LED's	Battery	Solar Panel	IP Rating	Lumens
SLDPL0018A-PIR	30 x SMD @0.2W (CW) 1 x SMD @0.2W (WW)	1 x 3.7v 4400mAh Lithium	4W Integrated Polycrystalline	44	350 @ 1m
SLDPL0008A-PIR	30 x SMD @0.2W (CW) 1 x SMD @0.2W (WW)	1 x 3.7v 4400mAh Lithium	4W Integrated Polycrystalline	44	350 @ 1m

Features:

- Pyro-electric Infrared Sensor
- Aluminium Alloy Construction
- Manual Over-ride on Sensor
- Approximately 1 minute Sensor Run Time
- Approximately 6-8 hours Operation
- Reeded Aluminium Post
- Decorative Mounting Base
- Glass Lampshade Panels
- Black P.C. Finish

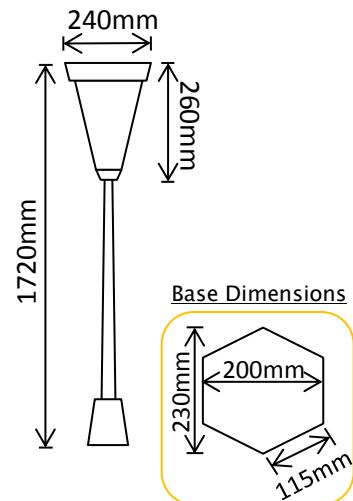
1 Year Warranty!

Packaged Fitting Weight & Dimensions

W: 5.4kg

D: 37cm x 32cm x 62cm

SLDPL0018A-6.2W-PIR



SLDPL0008A-6.2W-PIR

