

Double Post Light



18x SMD LED
(Cool White)
@ 0.2wea*



1x SMD LED
(Warm White)
@ 0.2wea*



1x 3.7V
2.2Ah NiMH*



2.4W Integrated
Polycrystalline*



Dust & Water
Protection*

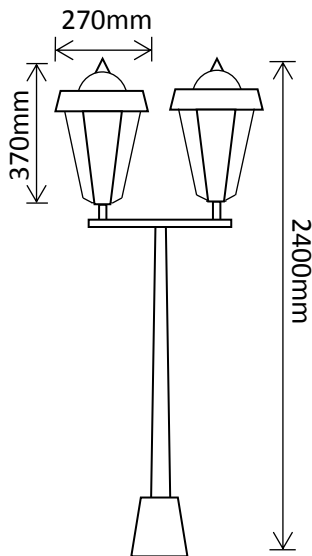


Aluminium Alloy
Construction*



200 Lumens
at 1 metre*

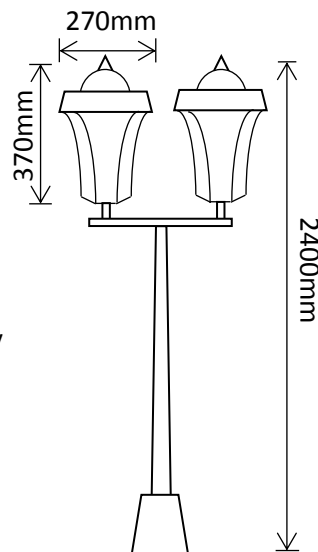
*specifications per light



SLDPL0012B-7.6W

Features:

- Built in Photo Electric Cell
- High/Low Setting
- 6-8 hours Operation per day
- Tapered Aluminium Post
- Decorative Mounting Base
- Glass Lampshade
- Black P.C. Finish
- **1 Year Warranty!**



SLDPL0009B-7.6W

Features:

- Built in Photo Electric Cell
- High/Low Setting
- 6-8 hours Operation per day
- Tapered Aluminium Post
- Decorative Mounting Base
- Glass Lampshade
- Black P.C. Finish
- **1 Year Warranty!**

