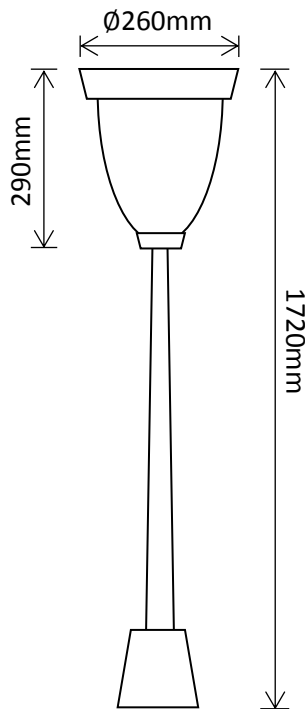


# Single Post Light with Motion Sensor



## SLDPL0007A-S2-6.2W-PIR



### Features:

- Pyro-electric Infrared Sensor
- Built in Photo Electric Cell
- 1minute Sensor Run Time
- Manual Motion Sensor Override
- 6-8 hours Operation per day
- Reeded Aluminium Post
- Decorative Mounting Base
- Black P.C. Finish
- Glass Lampshade
- **1 Year Warranty!**



30x SMD LED  
(Cool White)  
@ 0.2wea



1x SMD LED  
(Warm White)  
@ 0.2wea



1x 3.7V  
4.4Ah NiMH



3W Integrated  
Polycrystalline



Dust & Water  
Protection



Aluminium Alloy  
Construction



350 Lumens  
at 1 metre

