

# Industrial Range

## Park Lights

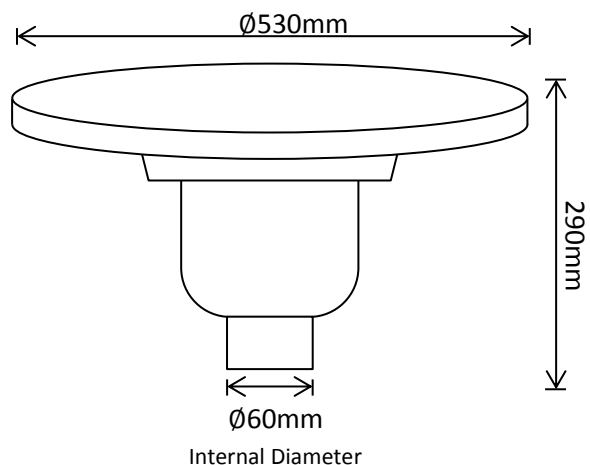
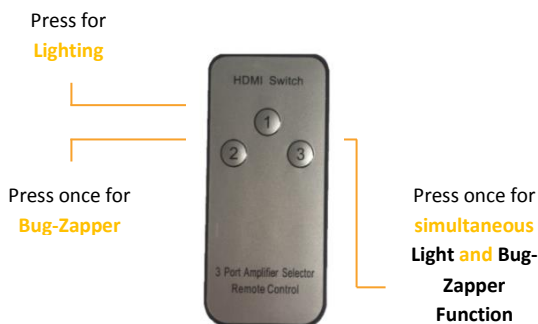
### Park Light with Bug Zapper

Product Code	LED's	Battery	Solar Panel	IP Rating	Lumens
SLDPKL18W-ZAP	18W LEDs (Cool White)	3 x 18.5Ah Li-ion	25W Integrated Polycrystalline	65	1000 @ 1m

#### Features:

- Built-in MPPT Controller
- Aluminium Alloy Construction
- RF Remote Control Operation
- 9W Insect Eradicator
- Built in Rain Sensor with Memory Function

**2 Year Warranty!**



#### Packaged Fitting Weight & Dimensions

W: 8.1kg

D: 57cm x 57cm x 24cm