

Commercial Range

Pillar Lights

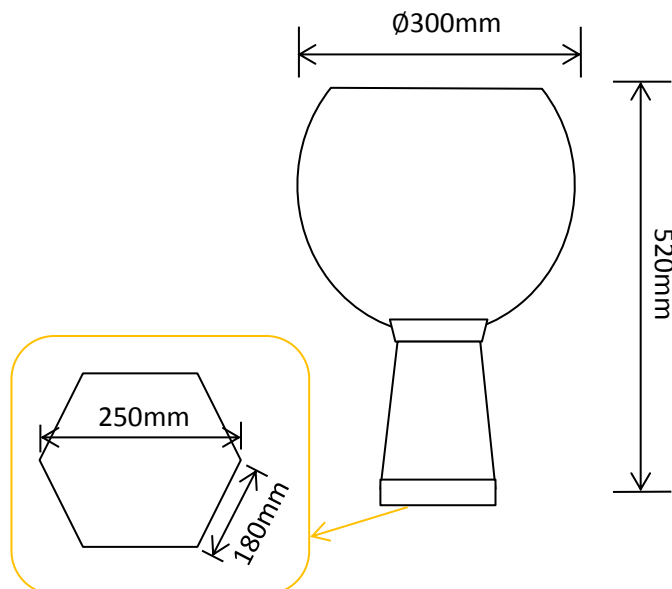
Pillar Light

Product Code	LED's	Battery	Solar Panel	IP Rating	Lumens
SLDPIL1012/ BLK	24 x LEDs @ 0.2Wea (Warm White)	1 x 6.4vDC 4.5Ah LifePo4	3W Integrated Polycrystalline	67	200 @ 1m

Features:

- Die Cast Aluminium Frame
- Polycarbonate Sphere - Opal Finish
- High Quality Black Powder Coating
- Approximately 8 hours Operation
- Surface Mounted Base

2 Year Warranty!



Packaged Fitting Weight & Dimensions

W: 3.2kg

D: 33cm x 33cm x 53cm