

Residential Range

Pillar Lights

Traditional Pillar Light

Product Code	LED's	Battery	Solar Panel	IP Rating	Lumens
SLDPIL0018A-PIR	30 x SMD @0.2W (CW) 1 x SMD @0.2W (WW)	1 x 3.7v 4400mAh Lithium	4W Integrated Polycrystalline	44	350 @ 1m
SLDPIL0008A-PIR	30 x SMD @0.2W (CW) 1 x SMD @0.2W (WW)	1 x 3.7v 4400mAh Lithium	4W Integrated Polycrystalline	44	350 @ 1m

Features:

- Pyro-electric Infrared Sensor
- Aluminium Alloy Construction
- Manual Over-ride on Sensor
- Approximately 1 minute Sensor Run Time
- Approximately 6-8 hours Operation
- Decorative Surface Mounted Base
- Glass Lampshade Panels
- Black P.C. Finish

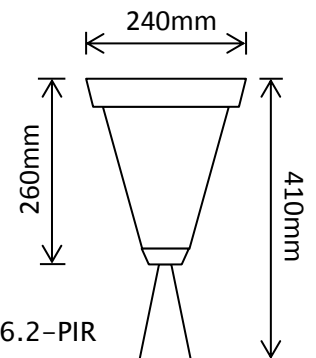
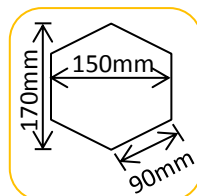
1 Year Warranty!

Packaged Fitting Weight & Dimensions

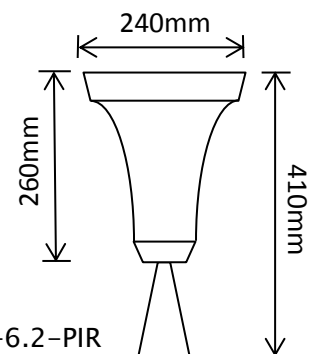
W: 3.3kg

D: 35cm x 33cm x 32.5cm

Base Dimensions



SLDPIL0018A-6.2-PIR



SLDPIL0008A-6.2-PIR