

## Pillar Lights

### Traditional Pillar Light

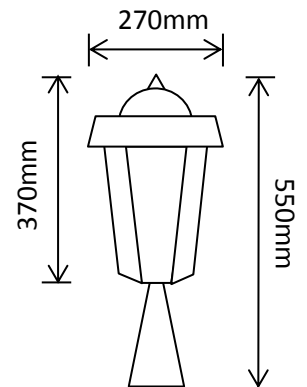
Product Code	LED's	Battery	Solar Panel	IP Rating	Lumens
SLDPIL0012A-PIR	18 x SMD @0.2W (CW) 1 x SMD @0.2W (WW)	1 x 3.7v 2200mAh Lithium	2.4W Integrated Polycrystalline	44	200 @ 1m
SLDPIL0009A-PIR	18 x SMD @0.2W (CW) 1 x SMD @0.2W (WW)	1 x 3.7v 2200mAh Lithium	2.4W Integrated Polycrystalline	44	200 @ 1m

#### Features:

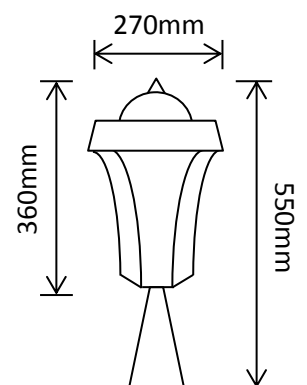
- Pyro-electric Infrared Sensor
- Aluminium Alloy Construction
- Manual Over-ride on Sensor
- Approximately 1 minute Sensor Run Time
- Approximately 6-8 hours Operation
- Decorative Surface Mounted Base
- Glass Lampshade Panels
- Black P.C. Finish

**1 Year Warranty!**

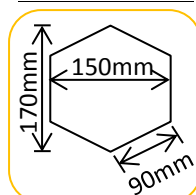
SLDPIL0012A-3.8-PIR



SLDPIL0009A-3.8-PIR



Base Dimensions



#### Packaged Fitting Weight & Dimensions

W: 3kg

D: 31cm x 31cm x 48cm