

Residential Range

Meteor Lights

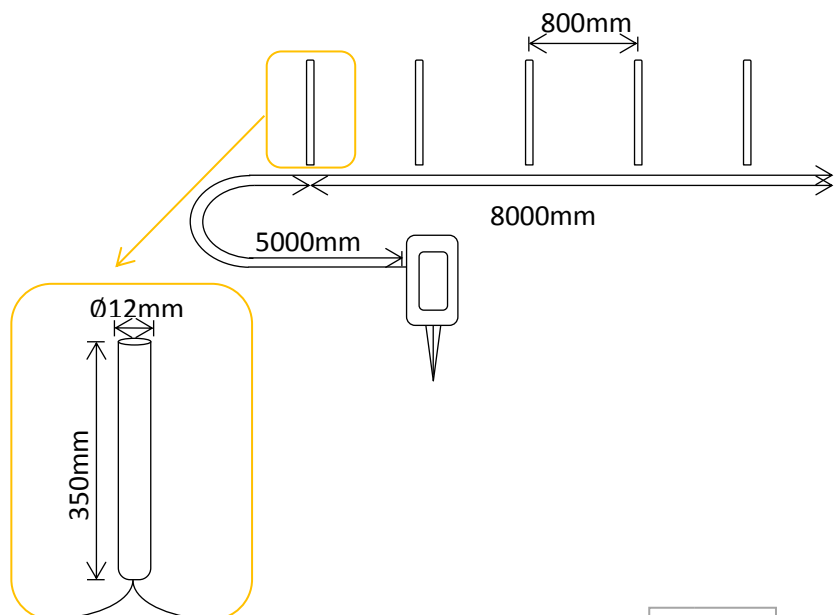
Meteor Lights

Product Code	LED's	Battery	Solar Panel	IP Rating	Lumens
SLDML-36W	36 x LEDs per Meteor (CW)	1 x 3.7v 2200mAh	5V 2W Separate E.R.E	65	N/A
SLDML-36WW	36 x LEDs per Meteor (WW)	1 x 3.7v 2200mAh	5V 2W Separate E.R.E	65	N/A
SLDML-36RGB	36 x LEDs per Meteor (RGB)	1 x 3.7v 2200mAh	5V 2W Separate E.R.E	65	N/A

Features:

- 10 Meteors per kit
- Approximately 8-10 hours Operation
- Cable Colour - Transparent
- Spike or Surface Mount option for remote Solar Panel
- Colour - White OR Warm White OR RGB, White & Warm White

1 Year Warranty!



Packaged Fitting Weight & Dimensions

W: 0.5kg

D: 38cm x 10cm x 6cm