



INSTRUCTION GUIDE

Residential Bluetooth Lantern

Model No.SLDL0813-BT

PACKAGE CONTENTS

- 1 x Light Fitting
- 1 x Solar Panel
- 1 x USB Cable



FEATURES

1. Integrated Bluetooth Speaker
2. 8 hours Operation per day
3. 4-6 Hours Charging Time
4. 3 Lighting Modes:
 - Bright White: 100lm @ 1 metre
 - Dimmed White: 20lm @ 1 metre
 - Fading RGB: 30lm @ 1 metre

INDICATORS

Charge Indicator Lights:

1. Charging - **RED**
2. Fully Charged - **FLASHING BLUE**

Power Indicator Lights:

1. Over 20% power - **BLUE**
2. Under 20% power - **RED**

FUNCTIONS

*Please refer to **FIGURES 1-10** (page 2)*

1. **To turn the lamp on**, pull the lantern head up and turn clockwise to fix position (**FIGURE 1**)
2. **To turn the light off**, first “unfix” the light, twist the head anti-clockwise and push head down (**FIGURE 1**)
3. **To switch light modes**, push the lamp button on the head of the fitting to switch between White Light, Tri-Phosphor Light, RGB Light and “OFF” (**FIGURE 2**)
4. **How to activate music player & Bluetooth**, Single press the power button on the head of the light fitting (All indicator lights will flash until Bluetooth connection is found) (**FIGURE 3**)
5. **How to connect to Bluetooth via smart device**, go to your smart devices settings > Bluetooth and select “BT201-AUDIO”.
When the indicator lights stop flashing you should be connected.
6. **How to turn off music player & Bluetooth**, Double press the power button.
7. **Increase & Decrease Volume**, If you wish to increase the volume press and hold the (+) button until your desired volume, to decrease volume do the same with the (-) button (**FIGURE 4 & 5**)

IMPORTANT NOTES

- **Please ensure you place your solar panel in a location where it can achieve a minimum of 6HRS DIRECT SUNLIGHT**
- Be aware that on overcast/cloudy days, the solar panel will still charge. However, not as efficiently as a sunny day, so the battery may not reach full capacity. Therefore, your light may turn off earlier than specified.

TROUBLE SHOOTING

Phenomenon	Cause	Inspection Method	Solution
Light won't turn on	Switch hasn't been turned on	Determine what position the switch is in	Turn the switch on
	Battery has run flat	Period of rainy or cloudy weather or installation site doesn't provide enough direct sunlight	Charge the light in direct sunlight for 1-2 days then check again
The light only stays on for a short amount of time	Low Battery	1. Bad installation site for the solar panel 2. Dust or leaves are covering the panel 3. Long period of overcast weather	1. Charge the battery in direct sunlight for 1-2 days with the switch off, then check again 2. Clean the solar panel
	Battery Failure	1. Access the light and & replace battery 2. Battery has matured	Contact SLD Customer Service to buy new batteries

8. **Skip Song & Play Previous**, if you wish to skip to the next song, single press the (+) button & if you wish to go back and play the previous song, single press the (-) button (**FIGURE 4 & 5**)
9. **Pause & Play**, Press the play/pause button once to pause music, if pressed again your music will resume. If you are connected to the speaker & your phone rings, simply press the pause/play button and you will answer your phone call, if you wish to end the phone call press once again (**FIGURE 6**)
10. **Switch between Modes**, to switch between Bluetooth, USB or AUX input single press the “MODE” button (**FIGURE 7**)

**PLEASE SEE RELEVANT INSTRUCTIONS FOR BELOW FIGURES
ON PAGE 1 'FUNCTIONS'**

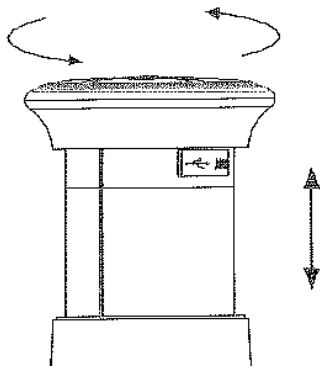


FIGURE 1

- (1) Turn the light on
- (2) Turn the light off

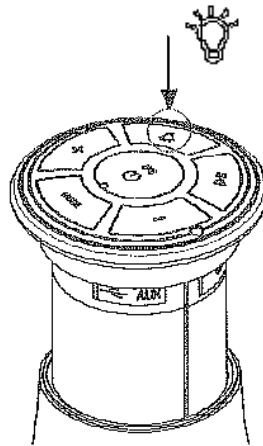


FIGURE 2

- (3) Switch light modes

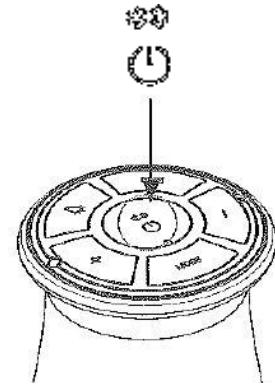


FIGURE 3

- (4) Activate Bluetooth & Music Player

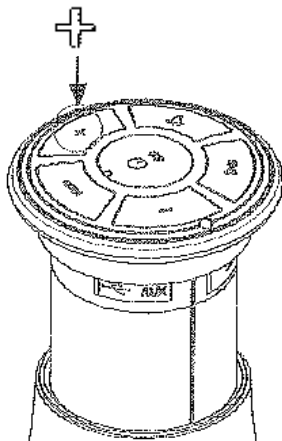


FIGURE 4

- (7) Increase volume
- (8) Skip Song

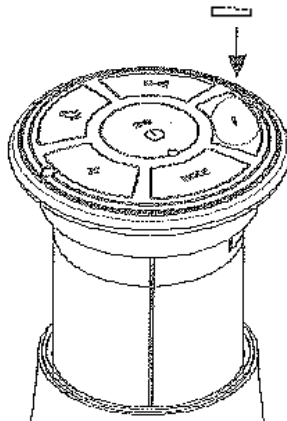


FIGURE 5

- (7) Decrease volume
- (8) Play Previous

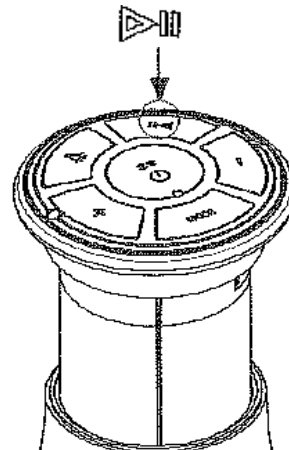


FIGURE 6

- (9) Pause & Play

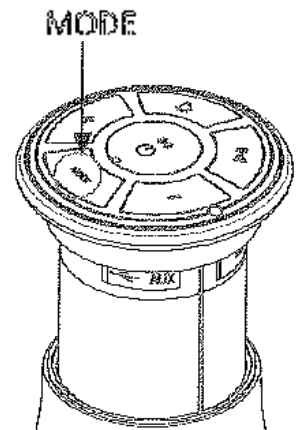
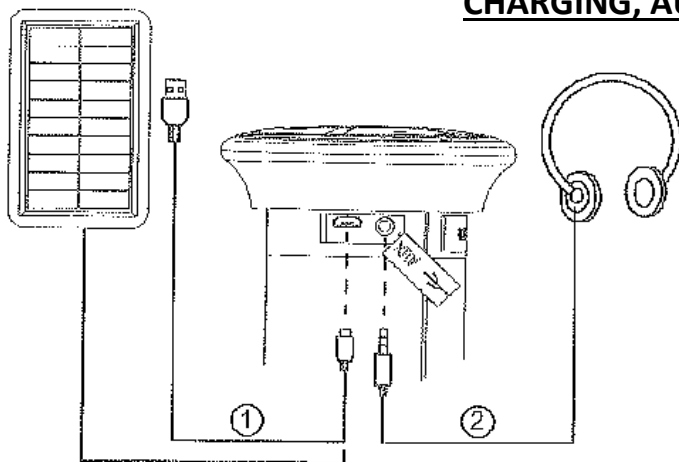


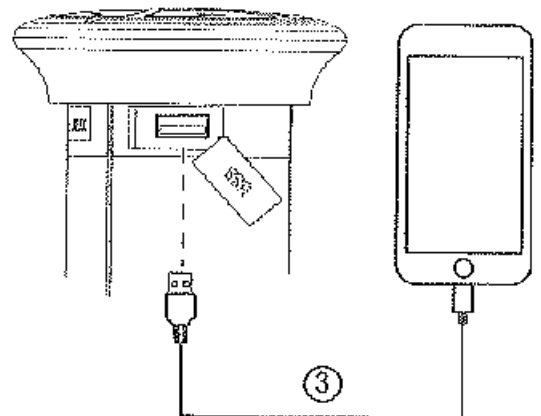
FIGURE 7

- (10) Switch Modes

CHARGING, AUX & USB PORTS



- ① Input 5V charging port, phone charger or supplied 5V solar panel
- ② AUX audio port, applicable for headsets & earphones



- ③ USB port, connect USB flash disks for music or charge any 5V device