



INSTRUCTION GUIDE

Residential Illuminated House Number

Model No. SLDIHN1/BLK-WW, SLDIHN1/SS-CW, SLDIHN1/SS-WW

PACKAGE CONTENTS

- 1 x Light Fitting
- 1 x Pack of Mounting Screws



FEATURES

1. Built in Photo Electric cell
2. 8-10 hours Operation per day
3. Flush Wall Mount base
4. 3 x Numerical sets 0-9 of Vinyl Stickers
5. 1 x Alphabet set of A-F Vinyl Stickers
6. Glass Lens
7. **SS** - Stainless Steel Finish - Cool or Warm White LED's
8. **BLK** - Black P.C. Finish - Warm White LED's



IMPORTANT NOTES

- **Please ensure you place the solar panel in a location where it can achieve a minimum of 6HRS DIRECT SUNLIGHT**
- Be aware that on overcast/cloudy days, the solar panel will still charge. However, not as efficiently as a sunny day, so the battery may not reach full capacity. Therefore, your light may turn off earlier than specified
- It's best not to install these lights underneath a street light, porch light etc. because this may stop the automatic day-night sensor triggering and result in your lights not turning on

TROUBLE SHOOTING

Phenomenon	Cause	Inspection Method	Solution
Light won't turn on	Switch hasn't been turned on	Determine what position the switch is in	Turn the switch on
	Battery has run flat	Period of rainy or cloudy weather or installation site doesn't provide enough direct sunlight	Charge the light in direct sunlight for 1-2 days then check again
The light only stays on for a short amount of time	Low Battery	1. Bad installation site for the solar panel 2. Dust or leaves are covering the panel 3. Long period of overcast weather	1. Charge the battery in direct sunlight for 1-2 days with the switch off, then check again 2. Clean the solar panel
	Battery Failure	1. Access the light and & replace battery 2. Battery has matured	Contact SLD Customer Service to buy new batteries

INSTALLATION METHOD

1. Remove contents from packaging
2. Locate the **"ON/OFF"** switch and turn light on by setting the (**I,O**) switch on the side of your fitting to (**I**) (**FIGURE 1**)
3. Locate desired wall mount installation (ensure the location will receive maximum direct sunlight throughout the day)

Step 1. Stick adhesive house numbers/letters on the front glass surface

Step 2. Drill 2 holes of 8mm diameter in the wall 154mm apart from one another (**FIGURE 1**)

Step 3. Put 2 plastic anchors in the holes and 2 screws into these anchors leaving the head protruding 10mm from the wall

Step 4. Mount fitting by hooking it onto the screws (making sure it is stable)

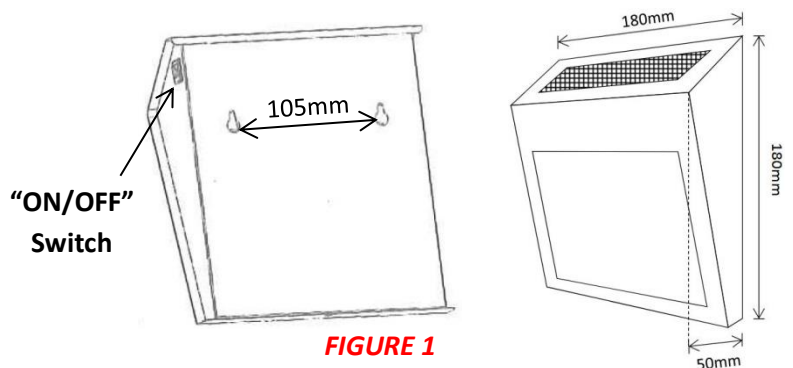


FIGURE 1