



INSTRUCTION GUIDE

Commercial Uplighter

Model No. SLDIG-4W

PACKAGE CONTENTS

- 1 x Light Fitting



FEATURES

1. Built in Photo Electric Cell (Day/Night Sensor)
2. 6-8 hours Operation every day
3. Flush Mounting Position
4. Tempered Glass
5. Charging Time: 6 hours

INSTALLATION METHOD

1. Remove contents from packaging
2. Choose your desired installation location.
Please ensure that you situate your fitting where it will receive maximum direct exposure to sunlight throughout the day.
3. Locate the silver on/off switch on the back of your light and press once to activate.
When the inner section of the on/off switch is depressed this indicates the on position.
4. Make a $\varnothing 90\text{mm}$ cut-out (ensuring you have a 120mm surface diameter surrounding your cut-out) and install your light so that it sits flush (**FIGURE 1**)

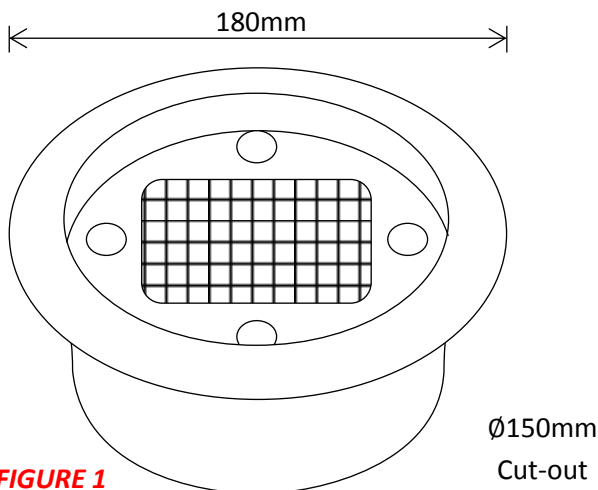


FIGURE 1

IMPORTANT NOTES

- Please ensure you place your solar panel in a location where it can achieve a minimum of 6HRS DIRECT SUNLIGHT
- Be aware that on overcast/cloudy days, the solar panel will still charge. However, not as efficiently as a sunny day, so the battery may not reach full capacity. Therefore, your light may turn off earlier than specified.
- It's best not to install these lights underneath a street light, porch light etc. because this may stop the automatic day-night sensor triggering and result in your lights not turning on

TROUBLE SHOOTING

Phenomenon	Cause	Inspection Method	Solution
Light won't turn on	Switch hasn't been turned on	Determine what position the switch is in	Turn the switch on
	Battery has run flat	Period of rainy or cloudy weather or installation site doesn't provide enough direct sunlight	Charge the light in direct sunlight for 1-2 days then check again
The light only stays on for a short amount of time	Low Battery	1. Bad installation site for the solar panel 2. Dust or leaves are covering the panel 3. Long period of overcast weather	1. Charge the battery in direct sunlight for 1-2 days with the switch off, then check again 2. Clean the solar panel
	Battery Failure	1. Access the light and & replace battery 2. Battery has matured	Contact SLD Customer Service to buy new batteries