

30W Flood Light



5730 SMD
LEDs



1x 12vDC
21Ah Li-Ion



Dust & Water
Protection



Die-Cast
Aluminium Body



2250 Lumens
at 1 metre
(CW 5000K)

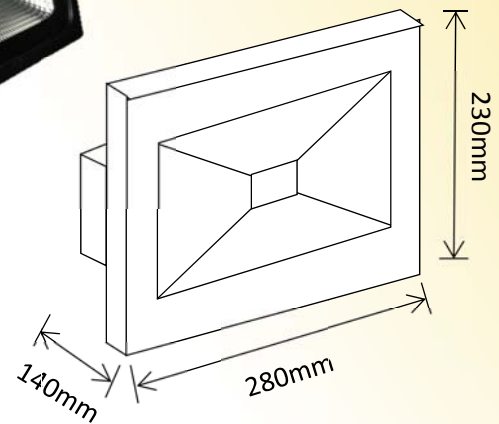


2200 Lumens
at 1 metre
(WW 3000K)

SLDFL30W

Features:

- "Plug and Play" Installation
- Built in Photo Electric Cell
- RF Remote Control Operation
- Day-Night Sensor
- Wall Mounting Bracket
- Tempered Safety Glass
- 5m Connection Cable
- Dimmable
- LED CCT Selector Switch
- Dual Colour LED Technology
- **1 Year Warranty!**



ACCESSORIES

SLDY-CON



"Y" connector to
allow multiple light
connections to one
Solar Panel

SLDFL-EXTCABLE



10m Extension
Cable to suit
both 10W and
30W Flood
Light models

Solar Panel Sold Separately

