

30W RGB Flood Light



5730 SMD
LEDs



1x 7.4vDC
21Ah Li-Ion



Dust & Water
Protection



Die-Cast
Aluminium
Body



2250 Lumens
at 1 metre
(White Setting)



750 Lumens
at 1 metre
(Red, Green or
Blue Setting)

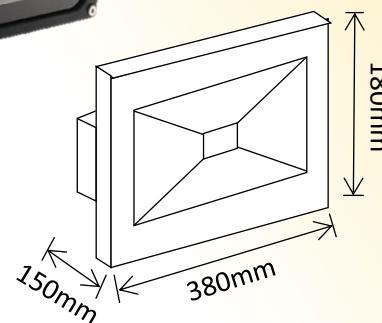


1500 Lumens
at 1 metre
(Cyan, Yellow or
Magenta Setting)

SLDFL30W-RGB

Features:

- "Plug and Play" Installation
- Built in Photo Electric Cell
- Pre-Set Colour Setting Options
 - Red, Green, Blue, Cyan, Yellow, Magenta and Bright White
- Multiple Pre-programmed Modes:
 - 1) Chase RGB
 - 2) Fade RGBCMY
 - 3) Chase BGR
- Day-Night Sensor
- Wall Mounting Bracket
- Red, Green & Blue LEDs
- Tempered Safety Glass
- 5m Connection Cable
- **1 Year Warranty!**



ACCESSORIES

SLDY-CON



"Y" connector to
allow multiple light
connections to one
Solar Panel

SLDFL-EXTCABLE



10m Extension
Cable to suit
both 10W and
30W Flood
Light models

Solar Panel Sold Separately

