

# Commercial Range

## Flood Lights

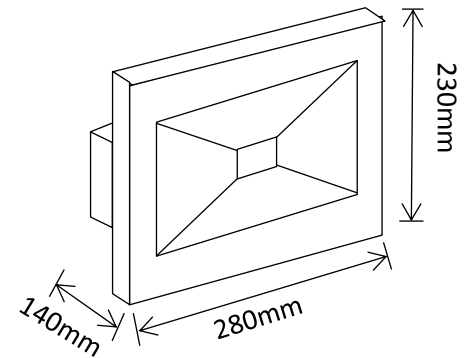
### 30W Flood Light

Product Code	LED's	Battery	Solar Panel	IP Rating	Lumens
SLDFL30W-DC	5730 SMD LEDs	1 x 7.4vDC 21000mAh Li-Ion	N/A	65	2250 @ 1m (CW) 2200 @ 1m (WW)

#### Features:

- Die Cast Aluminium – Body
- Tempered Safety Glass
- RF Remote Control Operation
- Wall Mounting Bracket
- 5m Connection Cable
- Dimmable
- Dual Colour LED Technology
- LED Selector Switch

**2 Year Warranty!**



#### Packaged Fitting Weight & Dimensions

W: 3.6kg

D: 29cm x 27cm x 16cm

Solar Panel Required		
No. of lights connected	SLDSP60	SLDSP100
1	✓	
2		✓

\*Please reference page 83 for further Solar Panel information