

# Residential Range

## Path/Deck Lights

### Deck/In-Ground Kit

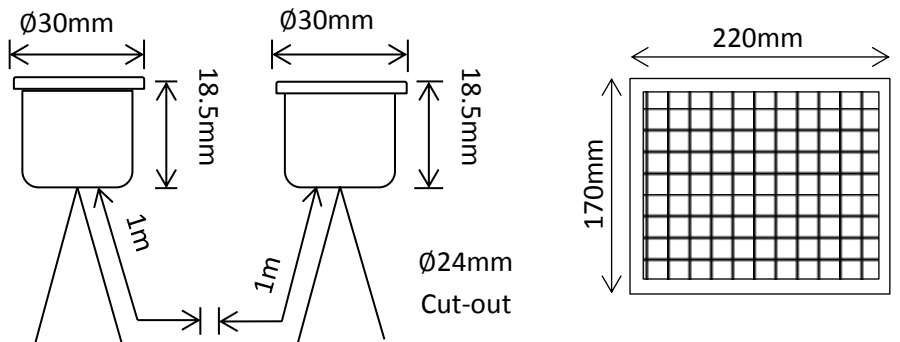
Product Code	LED's	Battery	Solar Panel	IP Rating	Lumens
SLDDLK-5	5 x SMD LEDs @0.3W Warm White	1 x 3.7v 2200mAh Lithium	3W Separate Polycrystalline	Panel = 65 Lights = 67	40 @ 1m

#### Features:

- Stainless Steel Construction
- Approximately 6-8 hours Operation
- 100kg Max Walk Over Pressure
- Flush Mounting Position
- 5m Moulded Cable from Solar Panel to First Light
- 2m Moulded Cable Joining Light to Light



**1 Year Warranty!**



#### Packaged Fitting Weight & Dimensions

W: 1kg

D: 31cm x 18cm x 7cm