

Poly-Carbonate Bollard Lights

SLDBL0093-S1-2.4W



12x SMD LEDs
@ 0.2W ea
(Cool White)



1x 6.4v
1.4Ah Li-ion



3W Integrated
Polycrystalline



Dust & Water
Protection



U.V Stabilized
Poly-Carbonate
Construction

SLDBL0094-S1-2.4W



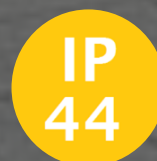
12x SMD LEDs
@ 0.2W ea
(Cool White)



1x 3.7v
2.2Ah Li-ion



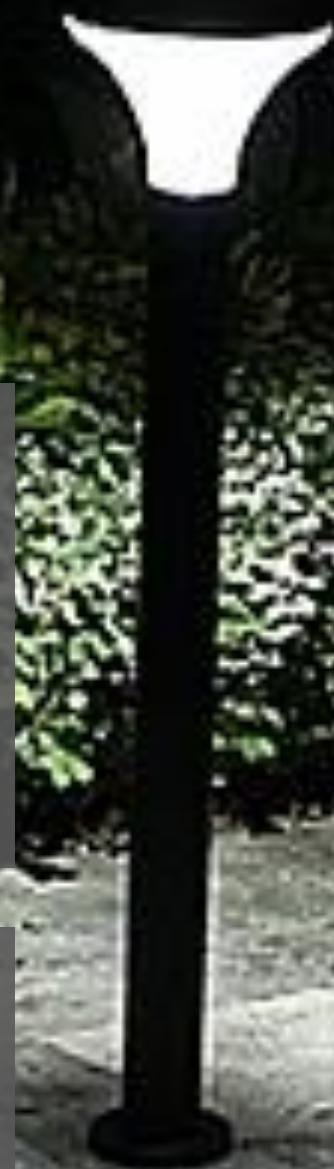
2W Integrated
Polycrystalline



Dust & Water
Protection



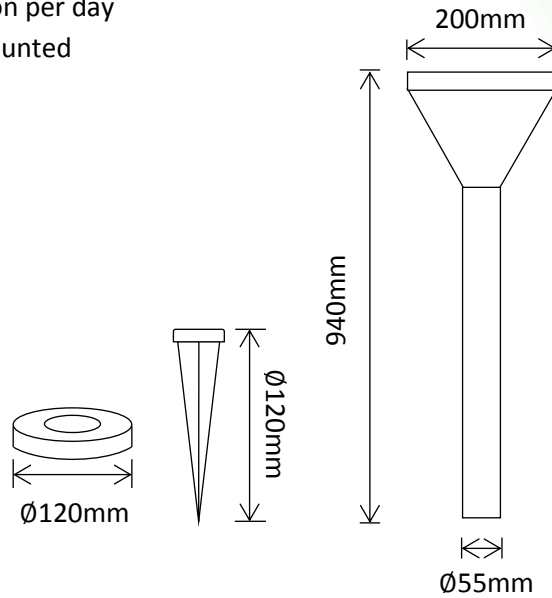
U.V Stabilized
Poly-Carbonate
Construction



SLDBL0093-S1-2.4W

Features:

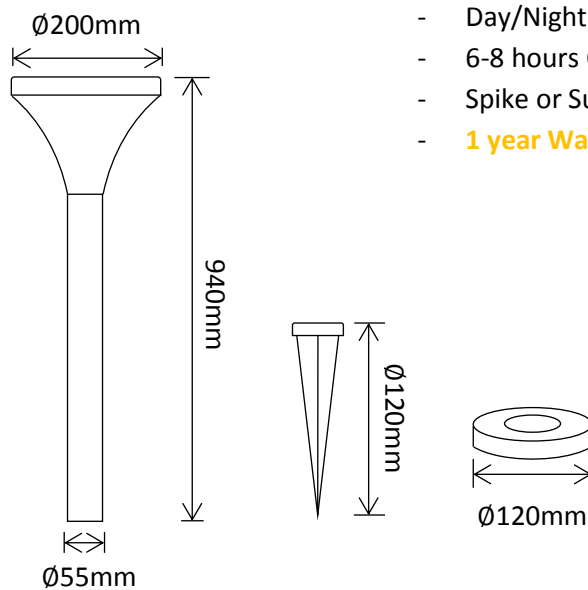
- Day/Night Sensor
- 4 x Brightness Settings
→ 50 → 100 → 150 → 200 Lumens
- 4-10 hours Operation per day
- Spike or Surface Mounted
- **1 year Warranty!**



SLDBL0094-S1-2.4W

Features:

- Day/Night Sensor
- 6-8 hours Operation per day
- Spike or Surface Mounted
- **1 year Warranty!**



ACCESSORY

SLDALP-100



Optional 1m
Extension post
to suit
SLDBL0093 &
SLDBL0094

