



SLDBL0026-2.6W-PIR



12x SMD LED
(Cool White)
@ 0.2w each



1x SMD LED
(Warm White)
@ 0.2w each



3x 800mAh
NiMH



0.6W Integrated
Polycrystalline



IP
44
Dust & Water
Protection



Stainless Steel
Construction

SLDBL0027-2.6W-PIR



12x SMD LED
(Cool White)
@ 0.2w each



1x SMD LED
(Warm White)
@ 0.2w each



3x 1500mAh
NiMH



1W Integrated
Polycrystalline



IP
44
Dust & Water
Protection



Stainless Steel
Construction

Bollard Light with PIR Motion Sensor

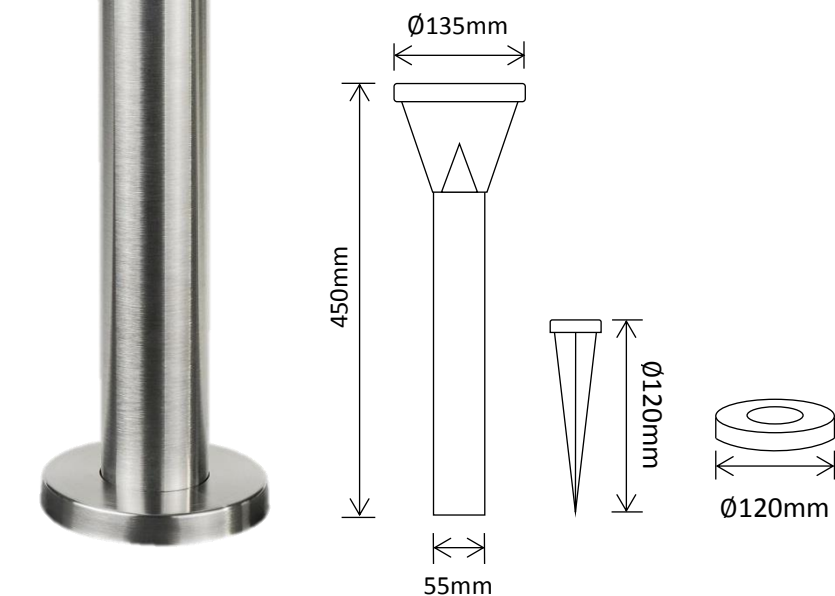
Features:

- Pyro-electric Infrared Sensor
- Built in Photo Electric Cell
- 1 minute Sensor Run Time
- 8-12 hours Operation per day
- 140 Lumens at 1 meter
- Spike Mounted
- Surface Mount Option with Stainless Steel Trim
- **1 year Warranty!**

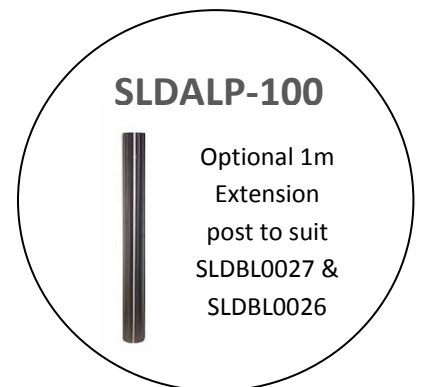
SLDBL0026-2.6W-PIR



SLDBL0027-2.6W-PIR



ACCESSORY



Refer to "YOUR MOTION SENSOR" pages for motion sensor operating specs

