



## Installation instructions for part INST-7800

# Acura/Honda 1990-2002 INST-7800

### INSTALLATION INSTRUCTIONS

- 99-7888      • 99-7889      • 99-7890      • 99-7891
- 99-7892      • 99-7893      • 99-7894      • 99-7895

### TOOLS REQUIRED

Refer to each section title page.

### APPLICATION OVERVIEW

<b>99-7888</b>		<b>99-7890/99-7892</b>		<b>99-7891</b>	
Acura Integra	1990-2001	Acura CL	1997-1999	Honda Civic	1996-1998
Acura Legend	1990-1996	Acura Integra	1990-2001	<b>99-7893</b>	
Acura TL	1996-1998	Acura Legend	1990-1996	Honda CR-V	1997-2001
Acura Vigor	1992-1994	Acura TL	1996-1998	Honda Prelude	1997-2001
Honda Accord	1990-1993	Acura Vigor	1992-1994	<b>99-7894/99-7895</b>	
Honda Odyssey	1995-1998	Honda Accord	1990-1997	Honda Accord	1998-2002
Isuzu Oasis	1996-1999	Honda Odyssey	1995-1998		
<b>99-7889</b>		Isuzu Oasis	1996-1999		
Honda Prelude	1992-1996				

### APPLICATIONS

See application list inside cover

## Contents

Installation Instructions	Section
- 99-7888.....	1.0
- 99-7889.....	2.0
- 99-7890.....	3.0
- 99-7891.....	4.0
- 99-7892.....	5.0
- 99-7893.....	6.0
- 99-7894.....	7.0
- 99-7895.....	8.0

*INST-7800 is a collection of installation instruction booklets. Use the Application Overview when selecting which installation instruction selection to use. Each section is setup as a chapter with its own table of contents.*

**CAUTION!** All accessories, switches, climate controls panels, and especially air bag indicator lights must be connected before cycling the ignition. Also, do not remove the factory radio with the key in the on position, or while the vehicle is running.

REV 10/12/2016 INST-7800

## Section 1

Acura/Honda/Isuzu  
1990-2001

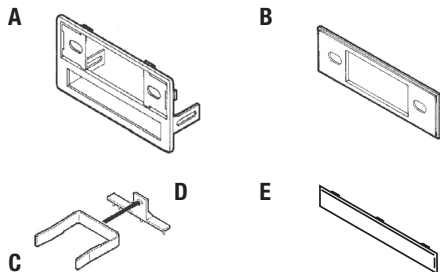
**99-7888**

### KIT FEATURES

- 2-shaft radio provision
- DIN radio provision
- Equalizer provision
- Rear support provision

### KIT COMPONENTS

- A) Radio housing
- B) Trimplate
- C) Radio support
- D) Mounting bracket
- E) Equalizer dummy plate
- F) Shaft masks
- G) (2) Pal nuts



### TOOLS REQUIRED

- Phillips screwdriver
- Cutting tool
- Socket wrench

## Table of Contents

### Dash Disassembly

– Acura Integra 1990-1993.....	1.0
– Acura Integra 1994-2001.....	1.1
– Acura Legend 1990.....	1.1
– Acura Legend 1991-1996.....	1.1
– Acura TL 1996-1998.....	1.2
– Acura Vigor 1992-1994.....	1.2
– Honda Accord 1990-1993.....	1.3
– Honda Odyssey 1995-1998.....	1.3
– Isuzu Oasis 1996-1999.....	1.3

### Kit Assembly

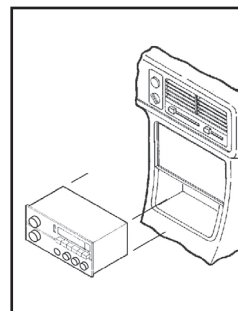
– 2-shaft radio provision.....	1.4
– DIN radio provision.....	1.5

## Dash Disassembly

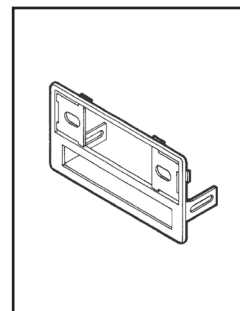
### Acura Integra 1990-1993

1. Remove (3) screws from each side of the center console and remove the console.
2. Remove (2) screws securing the factory radio to the sub-dash support bracket.
3. Slide the radio/pocket assembly out and disconnect the wiring. (Figure A)
4. Locate the radio housing. (Figure B)

*Continue to kit assembly for  
ALL VEHICLES, Section 1*



(Figure A)

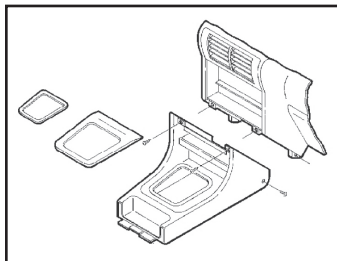


(Figure B)

## Dash Disassembly

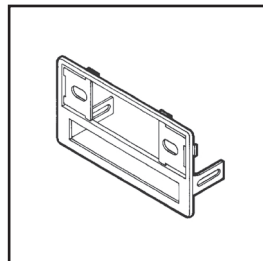
### Acura Integra 1994-2001

1. Remove the cover cap located under the emergency brake and remove (2) screws exposed.
2. Remove (2) screws from the rear corners of the lower dash trim bezel and remove. (Figure A)
3. Remove the ashtray and (2) screws exposed. (Figure A)
4. Unsnap the ashtray housing and disconnect the cigarette lighter harness.



(Figure A)

5. Remove the gear shifter knob and unsnap the shifter trim.
6. Remove (2) screws below the radio opening and remove the upper dash trim bezel.
7. Remove (2) 8mm screws securing the factory radio and disconnect the wiring.
8. Locate the radio housing. (Figure B)



(Figure B)

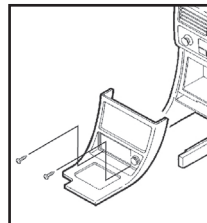
*Continue to kit assembly for ALL VEHICLES, Section 1*

### Acura Legend 1990

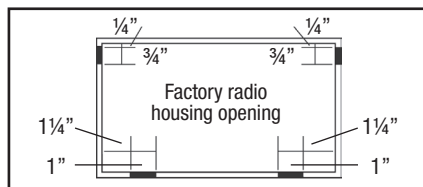
1. Remove (2) screws below the ashtray. (Figure A)
2. Unclip the dash trim bezel then disconnect the cigarette lighter wiring and remove the bezel.
3. Remove (2) bolts securing the rear of the factory radio and disconnect the wiring.
4. Modify the factory radio housing by cutting and

removing the shaded portions of the housing lip. (Figure B)

*Continue to kit assembly for ALL VEHICLES, Section 1*



(Figure A)

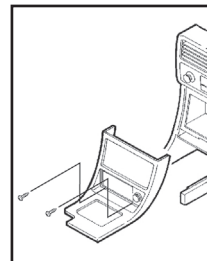


(Figure B)

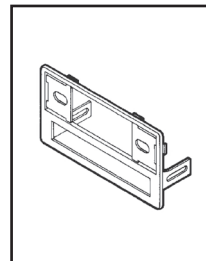
### Acura Legend 1991-1996

1. Remove (2) screws below the ashtray. (Figure A)
2. Unclip the dash trim bezel and disconnect the cigarette lighter wiring and remove the bezel.
3. Remove (2) bolts securing the rear of the factory radio and disconnect the wiring.
4. Locate the radio housing. (Figure B)

*Continue to kit assembly for ALL VEHICLES, Section 1*



(Figure A)



(Figure B)

## Dash Disassembly

### Acura TL 1996-1998

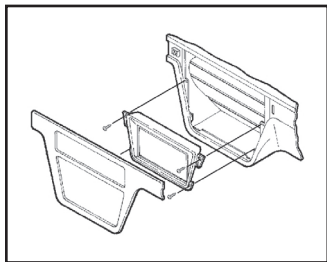
1. Using a small screwdriver, unclip the perimeter of the radio trim bezel.
2. Disconnect the climate control and rear defroster wiring and remove the bezel.
3. Remove (4) Phillips screws securing the factory radio/trim bezel assembly. (Figure A)
4. Loosen (2) Phillips screws securing the back of the radio to

the metal housing and slide the radio out.

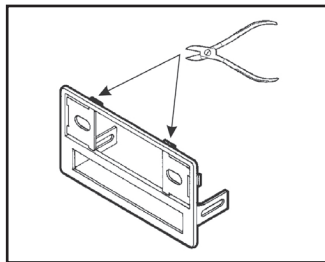
*Note, it is NOT necessary to remove the screws securing the metal housing to the bezel.*

5. Disconnect the wiring.
6. Cut and remove the top clips from the radio housing. (Figure B)

*Continue to kit assembly for ALL VEHICLES, Section 1*



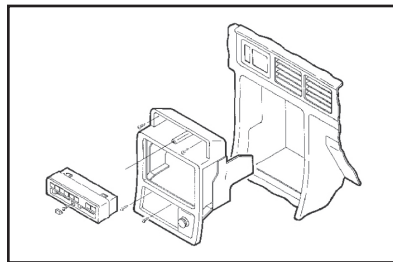
(Figure A)



(Figure B)

### Acura Vigor 1992-1994

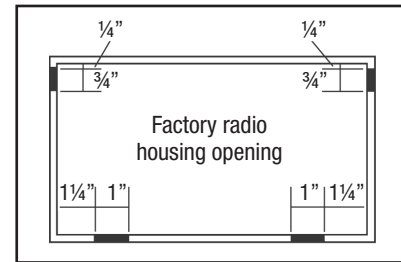
1. Remove the access cap from the climate control cluster and (1) screw exposed. (Figure A)
2. Unclip the cluster and remove (2) screws exposed.
3. Remove the ashtray and (2) Phillips screws exposed. (Figure A)
4. Remove the cover caps from each front corner of the center console and the screws exposed.
5. Open the storage compartment, lift up the carpet and remove (2) screws exposed.



(Figure A)

6. Lift up on the center console and remove.
7. Unclip the radio trim bezel and disconnect the wiring.
8. Remove (2) bolts from the back of the factory radio and disconnect the wiring.
9. Modify the factory radio housing by cutting and removing the shaded portions of the housing lip. (Figure B)

*Continue to kit assembly for ALL VEHICLES, Section 1*



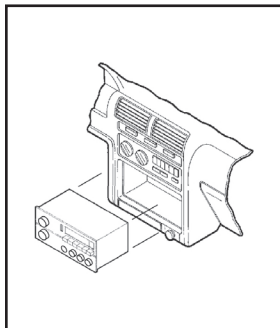
(Figure B)

## Dash Disassembly

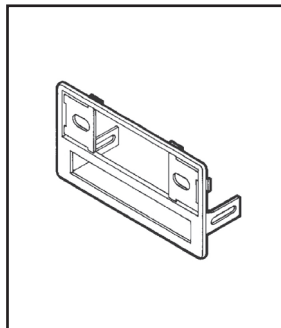
### Honda Accord 1990-1993

1. Remove (4) screws from the lower portion of the center console. (Figure A)
2. Remove the gear shifter knob and lift the console out.
3. Remove the ashtray and ashtray bracket.
4. Remove (2) screws from the bottom of the radio support, slide the unit out and disconnect the wiring.
5. Locate the radio housing. (Figure B)

*Continue to kit assembly for ALL VEHICLES, Section 1*



(Figure A)

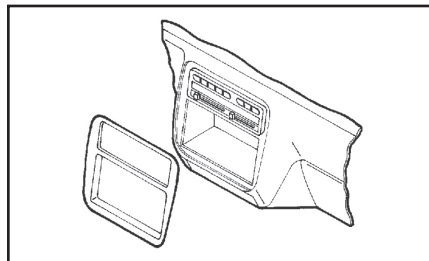


(Figure B)

### Honda Odyssey 1995-1998

### Isuzu Oasis 1996-1999

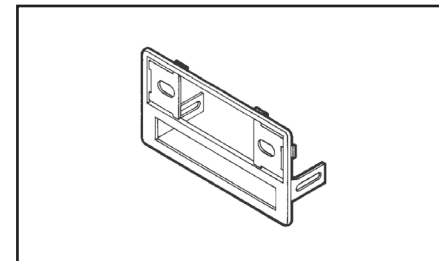
1. Remove (2) 8mm screws under the glove box.
2. Remove (1) Phillips screw on the glove box arm and remove the box.
3. Remove (2) Phillips screws exposed in the glove box cavity then remove (2) Phillips screws below the storage box door (under the ashtray). (Figure A)
4. Remove (2) screws from the left side of the dash console.



(Figure A)

5. Remove (1) Phillips screw from the coin tray and then remove (1) Phillips screw under the ignition.
6. Remove (4) Phillips screws securing the factory cupholder.
7. Remove (2) 8mm hex-head screws from the rear support bracket and disconnect the wiring.
8. Locate the radio housing. (Figure B)

*Continue to kit assembly for ALL VEHICLES, Section 1*



(Figure B)

## Kit Assembly

### All Vehicles

#### 2-shaft radio provision:

1. Attach the trim plate and shaft masks to the radio housing. (Figure A1)
2. Slide the radio into the kit and secure with shaft nuts. (Figure A1)

*Continue to Step 5*

#### DIN radio provision:

1. Cut and remove the shaft supports from the radio housing.
2. Remove the metal DIN sleeve from the aftermarket radio.
3. Slide the sleeve into the kit and secure by bending the metal locking tabs down.
4. Slide the radio into the sleeve until it clicks in. (Figure A2)

*Continue to Step 5*

#### 5. If an equalizer will be included:

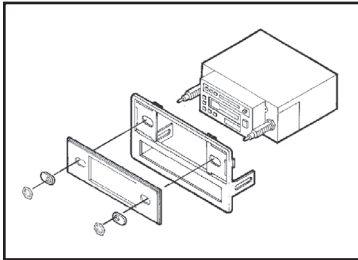
Slide the aftermarket equalizer into the back of the radio housing. Using the hardware included with the equalizer, secure the unit to the kit. (Figure B)

#### If an equalizer will NOT be included:

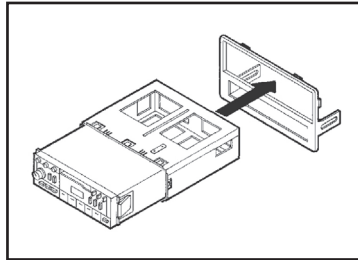
Snap the Equalizer Dummy Plate into the radio housing. (Figure C)

6. Insert the Radio Support into the Mounting Bracket. (Figure D)
7. Turn the Radio Support to lock into place. (Figure E)
8. Secure the assembly to the factory mounting plate in the sub-dash with (2) Pal Nuts supplied. (Figure F)

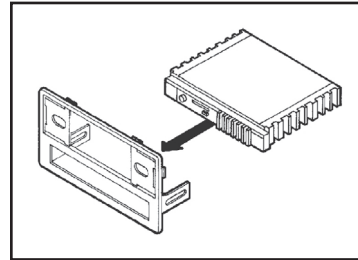
*Continue on the next page*



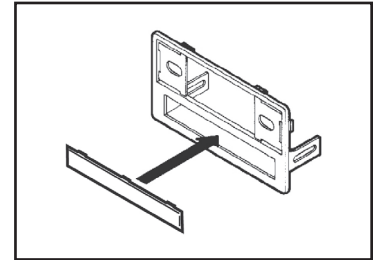
(Figure A1)



(Figure A2)

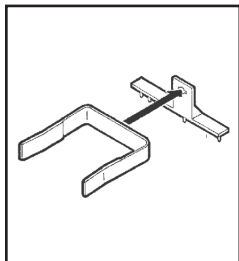


(Figure B)

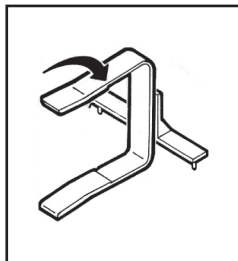


(Figure C)

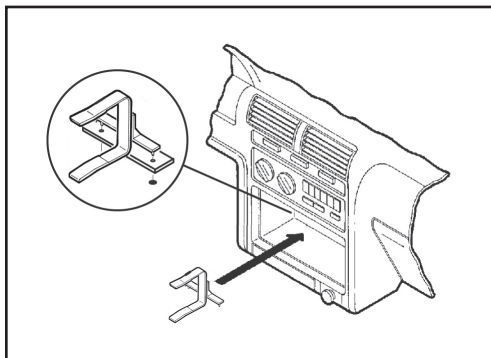
## Kit Assembly



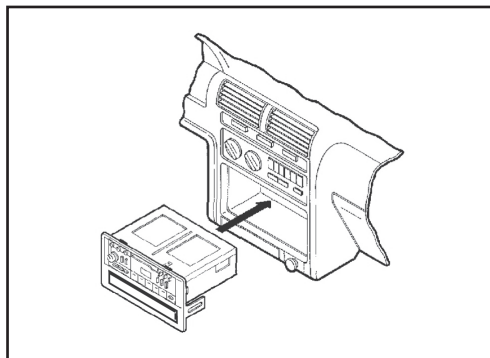
(Figure D)



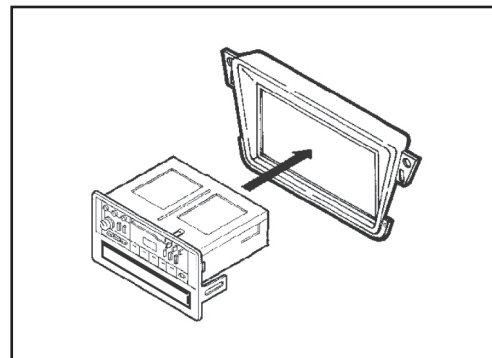
(Figure E)



(Figure F)



(Figure G)



(Figure H)

8. Locate the factory wiring harness in the dash. Metra recommends using the proper mating adapter from Metra. Test the radio for proper operation.

9. **Integra, Accord, Odyssey, Oasis:**

Snap the completed assembly into the sub-dash. (Figure G)

**Legend, TL, Vigor:**

Snap the completed assembly into the factory trim bezel. Secure the bezel to the dash with those screws previously removed. (Figure H)

10. Reassemble the dash in reverse order of disassembly.

## Section 2

Honda Prelude  
1992-1996

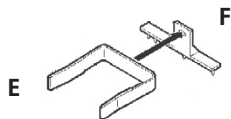
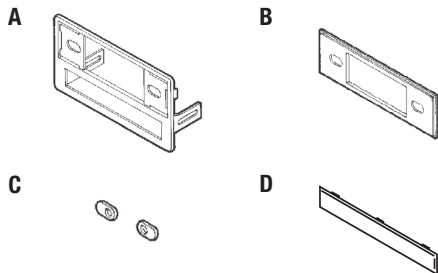
**99-7889**

### KIT FEATURES

- 2-shaft radio provision
- DIN radio provision
- Equalizer provision
- Rear support provision

### KIT COMPONENTS

- A) Radio housing
- B) Trimplate
- C) Shaft masks
- D) Equalizer dummy plate
- E) Radio support
- F) Mounting bracket



### TOOLS REQUIRED

- Phillips screwdriver
- Cutting tool
- Socket wrench

## Table of Contents

Dash Disassembly .....	2.0
<b>Kit Assembly</b>	
– 2-shaft radio provision .....	2.1
– DIN radio provision.....	2.1

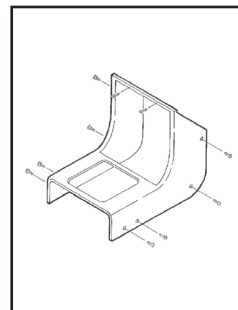
## Dash Disassembly

1. Remove (2) screws from the top of the console trim bezel. (Figure A)
2. Slide the front seats back and remove (4) Phillips screws from each side of the bezel. (Figure A)

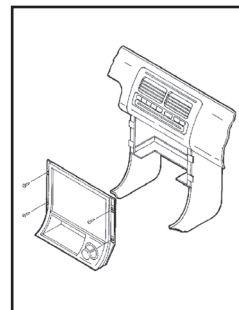
## Dash Disassembly (Cont)

3. Pull up on the console trim bezel and remove.
4. Using an angled screwdriver, remove (2) screws securing the gear shifter bracket to the bezel. (Figure A)
5. Remove (4) screws from the radio trim bezel, remove the factory radio assembly and disconnect the wiring. (Figure B)

*Continue to kit assembly for  
ALL VEHICLES, Section 2*



(Figure A)



(Figure B)



## Kit Assembly

### All Vehicles

#### 2-shaft radio provision:

1. Attach the trim plate and shaft masks to the radio housing. (Figure A)
2. Slide the aftermarket radio into the kit. (Figure A)
3. Secure with shaft nuts. (Figure A)

*Continue to Step 5*

#### DIN radio provision:

1. Remove the metal DIN sleeve from the aftermarket radio.
2. Cut and remove the shaft supports from the radio housing.
3. Slide the sleeve into the housing and secure by bending the metal locking tabs down. (Figure B)
4. Slide the radio into the sleeve until it clicks in. (Figure B)

*Continue to Step 5*

#### 5. If an equalizer will be included:

Slide the unit into the back of the radio housing and secure.

#### If an equalizer will not be included:

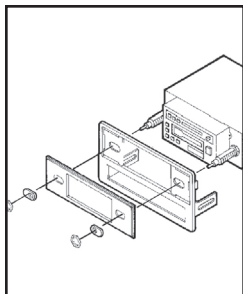
Snap the equalizer dummy plate into the opening.

6. Insert the radio support into the mounting bracket. (Figure C)
7. Turn the radio support to lock into place. (Figure D)
8. Secure the assembly to the factory mounting plate in the sub-dash with (2) Pal Nuts supplied. (Figure E)

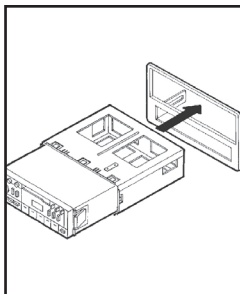
9. Locate the factory wiring harness in the dash. Metra recommends using the proper mating adapter from Metra or AXXESS. Test the radio for proper operation.

10. Snap the completed assembly into the radio trim bezel and secure the bezel to the dash with those screws previously removed. (Figure F)

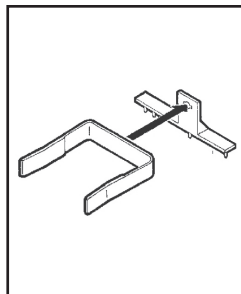
11. Reassemble the dash in reverse order of disassembly.



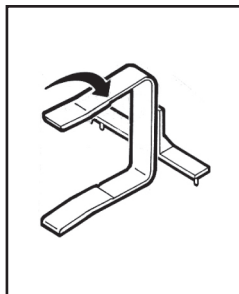
(Figure A)



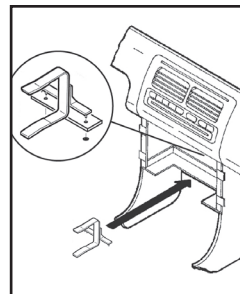
(Figure B)



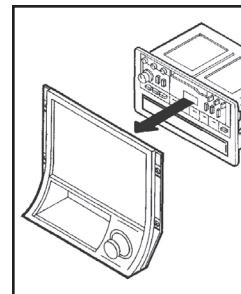
(Figure C)



(Figure D)



(Figure E)



(Figure F)

### Section 3

Acura/Honda/Isuzu  
1990-2001

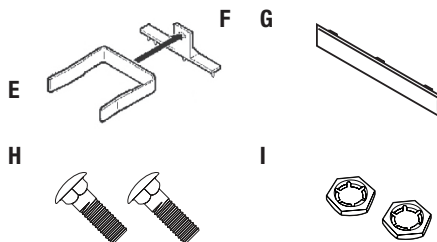
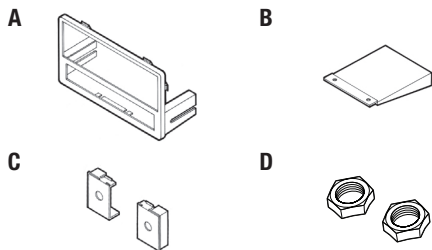
### 99-7890

#### KIT FEATURES

- 2-shaft radio provision • DIN radio provision
- Equalizer provision • Rear support provision

#### KIT COMPONENTS

- A) Radio housing • B) Rear support bracket
- C) Shaft supports • D) (2) Nuts • E) Radio support
- F) Mounting bracket • G) Equalizer dummy plate
- H) (2) Carriage bolts • I) (2) Pal nuts



#### TOOLS REQUIRED

- Phillips screwdriver • Cutting tool • Socket wrench

### Table of Contents

#### Dash Disassembly

##### Acura

– CL-1999 .....	3.0-3.1
– Integra 1990-1993.....	3.1
– Integra 1994-2001.....	3.2
– Legend 1990.....	3.2-3.3
– Legend 1991-1996.....	3.3
– TL 1996-1998.....	3.4
– Vigor 1992-1994.....	3.4-3.5

### Table of Contents

#### Honda

– Accord 1990-1993.....	3.5
– Accord 1994-1997.....	3.6
– Odyssey 1995-1998 .....	3.6-3.7

#### Isuzu

– Oasis 1996-1999.....	3.6-3.7
------------------------	---------

#### Kit Assembly

– 2-shaft radio provision .....	3.7-3.8
– DIN radio provision.....	3.7-3.8

### Dash Disassembly

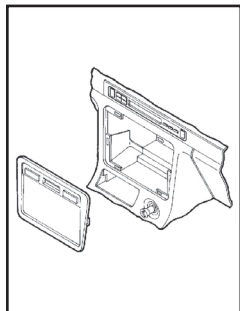
#### Acura CL 1997-1999

1. Unclip the radio trim bezel and disconnect the clock and climate control wiring. (Figure A)
2. Remove (2) 8mm hex-head screws securing the factory radio and disconnect the wiring.
3. Locate the radio housing and then cut and remove the side clips from the radio housing. (Figure B and C)
4. Secure the rear support bracket to the bottom tab on the radio housing with (2) carriage bolts and (2) nuts. (Figure D)

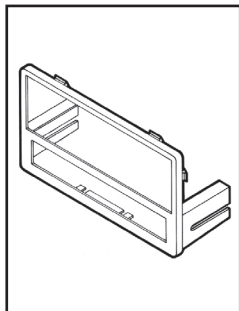
*Continue to kit assembly for ALL VEHICLES, Section 3*

**Acura CL 1997-1999 (Cont)**

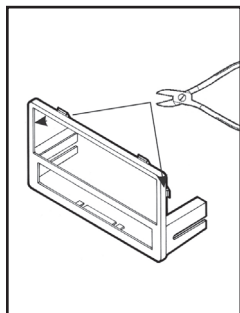
**Dash Disassembly**



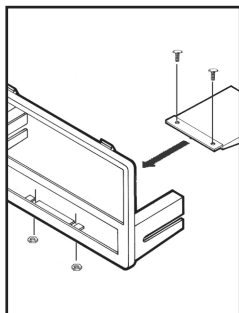
(Figure A)



(Figure B)



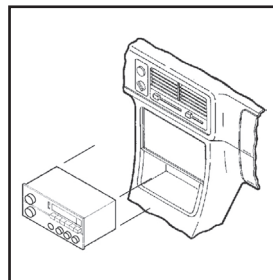
(Figure C)



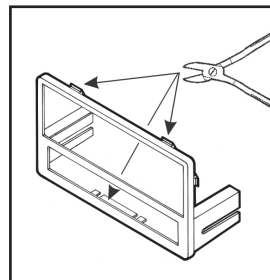
(Figure D)

**Acura Integra 1990-1993**

1. Remove (3) screws from each side of the center console and remove the console. (Figure A)
2. Remove (2) screws securing the factory radio to the sub-dash support bracket.
3. Slide the radio/pocket assembly out and disconnect the wiring.
4. Cut and remove the top clips and bottom tab from the radio housing. (Figure B)
5. Insert the radio support into the mounting bracket. (Figure C)
6. Turn the radio support to lock into place. (Figure C)



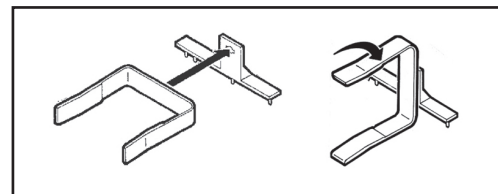
(Figure A)



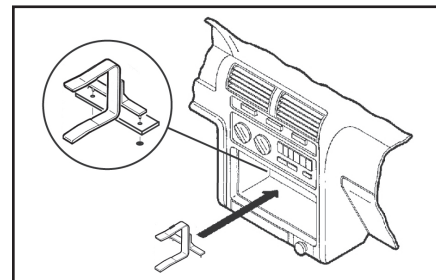
(Figure B)

7. Secure the assembly to the factory mounting plate in the sub-dash with (2) pal nuts supplied. (Figure D)

*Continue to kit assembly for ALL VEHICLES, Section 3*



(Figure C)

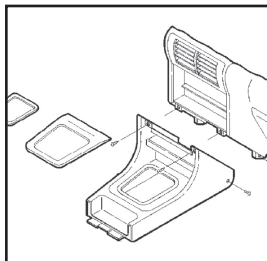


(Figure D)

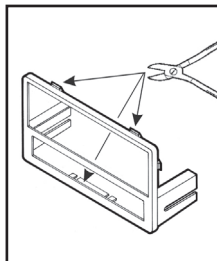
## Dash Disassembly

### Acura Integra 1994-2001

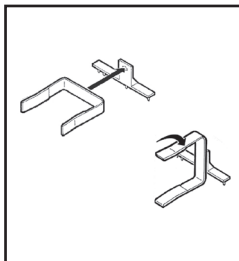
1. Remove the cover cap located under the emergency brake and remove (2) screws exposed. (Figure A)
2. Remove (2) screws from the rear corners of the lower dash trim bezel and remove. (Figure A)
3. Remove the ashtray and (2) screws exposed. Unsnap the ashtray housing and disconnect the cigarette lighter harness.
4. Remove the gear shifter knob and unsnap the shifter trim.
5. Remove (2) screws below the radio opening and remove the upper dash trim bezel.
6. Remove (2) 8mm screws securing the factory radio and disconnect the wiring.
7. Cut and remove the top clips and bottom tab from the radio housing. (Figure B)



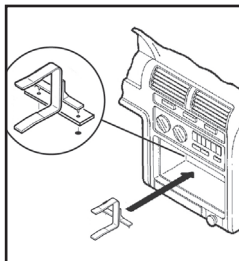
(Figure A)



(Figure B)



(Figure C)



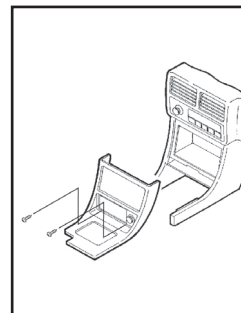
(Figure D)

8. Insert the radio support into the mounting bracket. Turn the radio support to lock into place. (Figure C)
9. Secure the assembly to the factory mounting plate in the sub-dash with (2) pal nuts supplied. (Figure D)

*Continue to kit assembly for ALL VEHICLES, Section 3*

### Acura Legend 1990

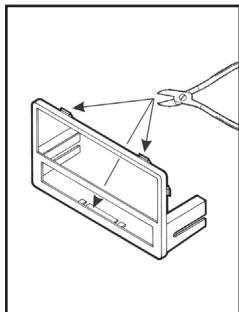
1. Remove (2) screws below the ashtray. Unclip the dash trim bezel. (Figure A)
2. Disconnect the cigarette lighter wiring and remove the bezel.
3. Remove (2) bolts securing the rear of the factory radio and disconnect the wiring.
4. Cut and remove the top clips and bottom tab from the radio housing. (Figure B)
5. Insert the radio support into the mounting bracket. Turn the radio support to lock into place. (Figure C)
6. Secure the assembly to the sub-dash mounting plate with (2) pal nuts supplied. (Figure D)
7. Modify the factory radio housing by trimming the shaded portions of the housing lip. (Figure E)



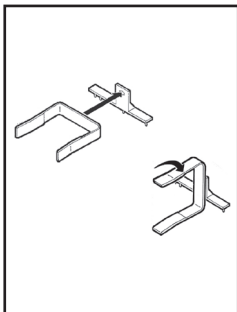
(Figure A)

*Continue to kit assembly for ALL VEHICLES, Section 3*

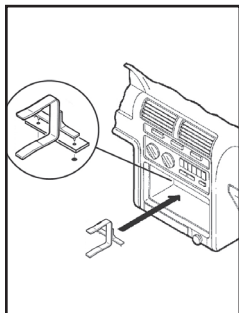
**Acura Legend 1990 (Cont)**



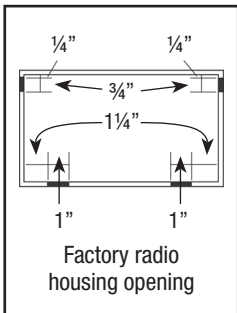
(Figure B)



(Figure C)



(Figure D)



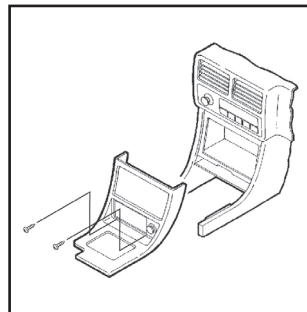
(Figure E)

**Dash Disassembly**

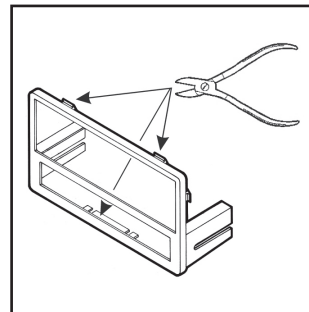
**Acura Legend 1991-1996**

1. Remove (2) screws below the ashtray. Unclip the dash trim bezel. (Figure A)
2. Disconnect the cigarette lighter wiring and remove the bezel.
3. Remove (2) bolts securing the rear of the factory radio and disconnect the wiring.
4. Cut and remove the top clips and bottom tab from the radio housing. (Figure B)
5. Insert the radio support into the mounting bracket. Turn the radio support to lock into place. (Figure C)
6. Secure the assembly to the factory mounting plate in the sub-dash with (2) pal nuts supplied. (Figure D)

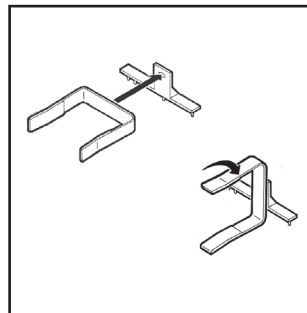
*Continue to kit assembly for ALL VEHICLES, Section 3*



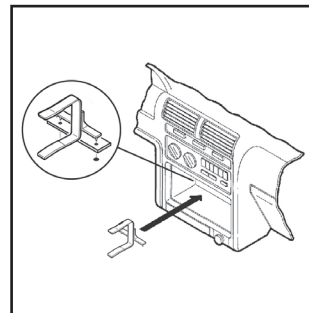
(Figure A)



(Figure B)



(Figure C)



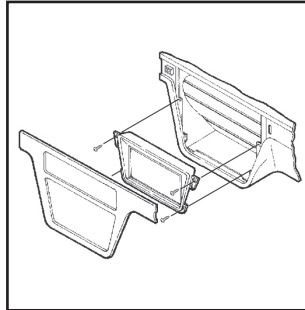
(Figure D)

## Dash Disassembly

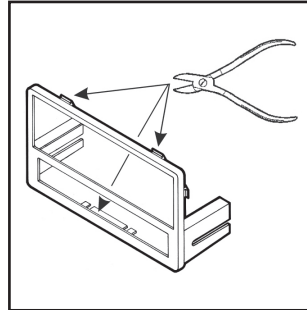
### Acura TL 1996-1998

- Using a small screwdriver, unclip the perimeter of the radio trim bezel.
- Disconnect the climate control and rear defroster wiring and remove the bezel.
- Remove (4) Phillips screws securing the factory radio/trim bezel assembly. (Figure A)
- Loosen (2) Phillips screws securing the back of the radio to the metal housing.
- Disconnect the wiring. Cut and remove the top clips and bottom tab from the radio housing. (Figure B)
- Insert the radio support into the mounting bracket. Turn the radio support to lock into place. (Figure C)
- Secure the assembly to the factory mounting plate in the sub-dash with (2) pal nuts supplied. (Figure D)

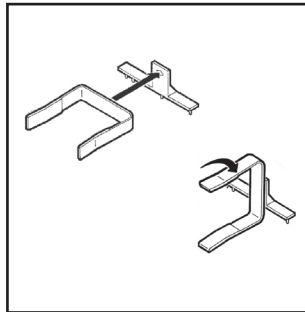
*Continue to kit assembly for ALL VEHICLES, Section 3*



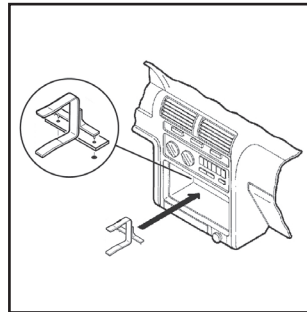
(Figure A)



(Figure B)



(Figure C)



(Figure D)

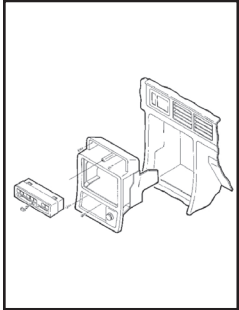
### Acura Vigor 1992-1994

- Remove the access cap from the climate control cluster and (1) screw exposed. (Figure A)
- Unclip the cluster and remove (2) screws exposed. (Figure A)
- Remove the ashtray and (2) Phillips screws exposed.
- Remove the cover caps from each front corner of the center console and the screws exposed.
- Open the storage compartment, lift up the carpet and remove (2) screws exposed.
- Lift up on the center console and remove. Unclip the radio trim bezel and disconnect the wiring.
- Remove (2) bolts from the back of the factory radio and disconnect the wiring.
- Cut and remove the top clips and bottom tab from the radio housing. (Figure B)
- Insert the radio support into the mounting bracket. Turn the radio support to lock into place.
- Secure the assembly to the sub-dash mounting plate with (2) pal nuts supplied. (Figure C)
- Modify the factory radio housing by trimming the shaded portions of the housing lip. (Figure D)

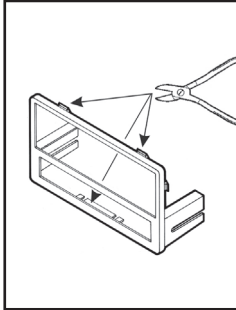
*Continue to kit assembly for ALL VEHICLES, Section 3*

**Acura Vigor 1992-1994 (Cont)**

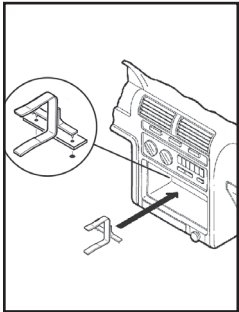
**Dash Disassembly**



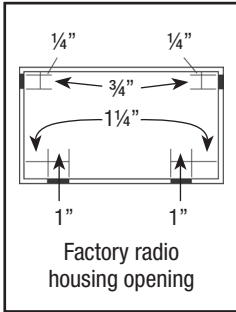
(Figure A)



(Figure B)



(Figure C)

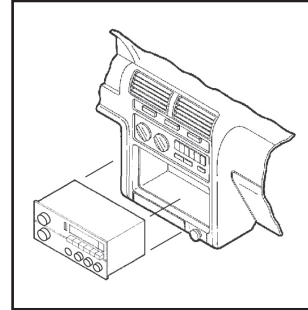


(Figure D)

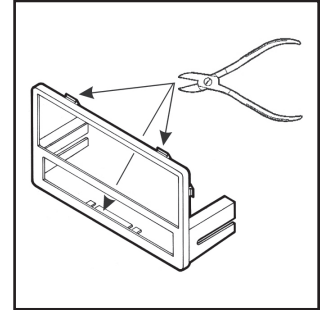
**Honda Accord 1990-1993**

1. Remove (4) screws from the lower portion of the center console. (Figure A)
2. Remove the gear shifter knob and lift the console out. Remove the ashtray and ashtray bracket.
3. Remove (2) screws from the bottom of the radio support, slide the unit out and disconnect the wiring.
4. Cut and remove the top clips and bottom tab from the radio housing. (Figure B)
5. Insert the radio support into the mounting bracket. Turn the radio support to lock into place. (Figure C)
6. Secure the assembly to the factory mounting plate in the sub-dash with (2) pal nuts supplied. (Figure D)

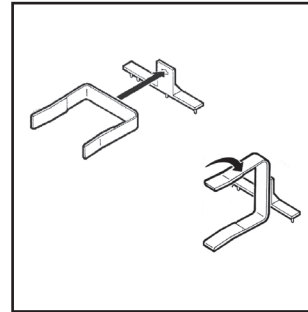
*Continue to kit assembly for ALL VEHICLES, Section 3*



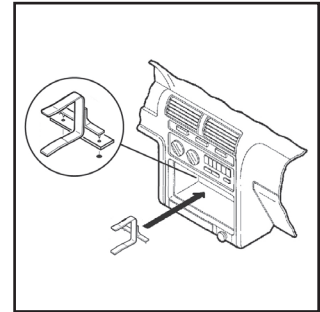
(Figure A)



(Figure B)



(Figure C)



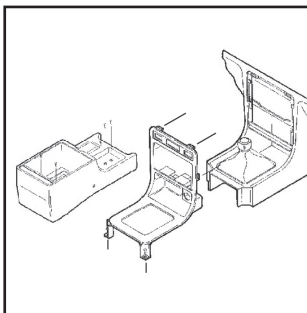
(Figure D)

## Dash Disassembly

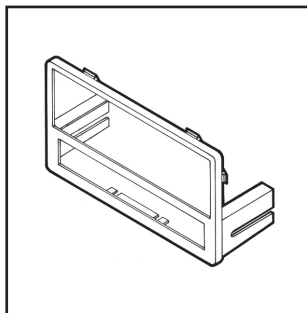
### Honda Accord 1994-1997

1. Remove the ashtray and (1) 3/4" #8 Phillips screw exposed.
2. Open the storage compartment and remove (2) #8 Phillips screws exposed.
3. Remove the cupholder tray and (3) #8 Phillips screws inside. (Figure A)
4. Lift the center console out and remove (2) Phillips screws exposed at the base of the dash trim bezel. Unclip the bezel and remove. (Figure A)
5. Remove (2) hex-head screws securing the factory radio and disconnect the wiring.
6. Locate the radio housing and then cut and remove the side clips from the radio housing. (Figure B and C)
7. Secure the rear support bracket to the bottom tab on the radio housing with (2) carriage bolts and (2) keps nuts. (Figure D)

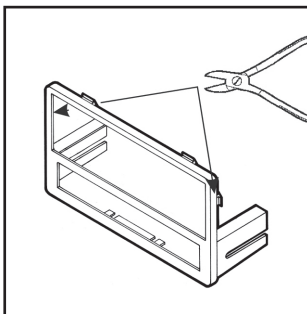
Continue to kit assembly for ALL VEHICLES, Section 3



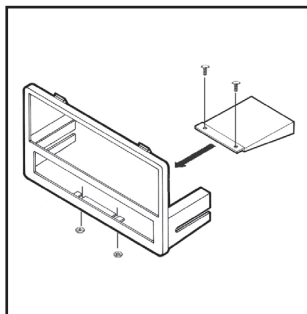
(Figure A)



(Figure B)



(Figure C)



(Figure D)

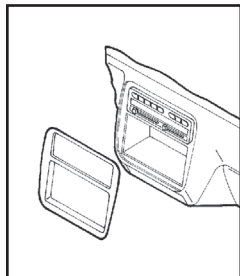
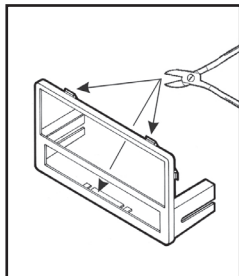
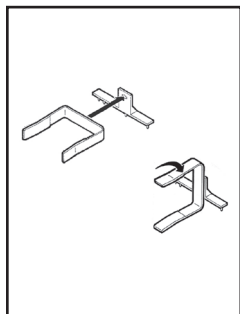
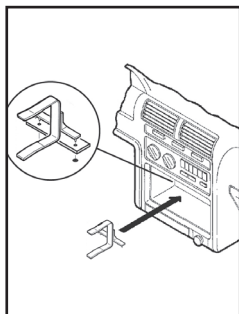
### Honda Odyssey 1995-1998

### Isuzu Oasis 1996-1999

1. Remove (2) 8mm screws under the glove box and then remove (1) Phillips screw on the glove box arm and remove the box.
2. Remove (2) Phillips screws exposed in the glove box cavity.
3. Remove (2) Phillips screws below the storage box door (under the ashtray).
4. Remove (2) screws from the left side of the dash console and then remove (1) Phillips screw from the coin tray.
5. Remove (1) Phillips screw under the ignition and then remove (4) Phillips screws securing the factory cupholder.
6. Remove (2) 8mm hex-head screws from the rear support bracket and disconnect the wiring.
7. Cut and remove the top clips and bottom tab from the radio housing. (Figure B)
8. Insert the radio support into the mounting bracket. Turn the radio support to lock into place. (Figure C)
9. Secure the assembly to the factory mounting plate in the sub-dash with (2) pal nuts supplied. (Figure D)

Continue to kit assembly for ALL VEHICLES, Section 3



**Honda Odyssey 1995-1998 (Cont)  
Isuzu Oasis 1996-1999****Kit Assembly***(Figure A)**(Figure B)**(Figure C)**(Figure D)***All Vehicles****2-shaft radio provision:**

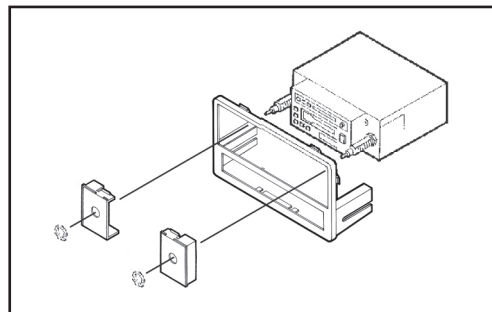
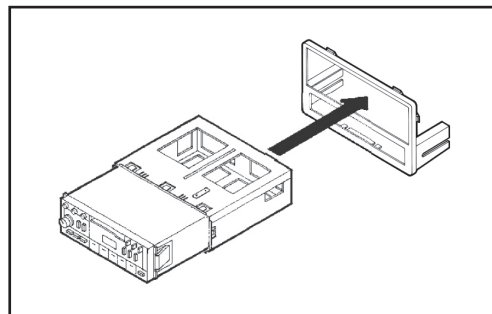
1. Snap the shaft supports into the radio housing. (Figure A)
2. Slide the radio into the kit and secure with shaft nuts. (Figure A)

*Continue on the next page, Step 4*

**DIN radio provision:**

1. Remove the metal DIN sleeve from the aftermarket radio.
2. Slide the sleeve into the kit and secure by bending the metal locking tabs down.
3. Slide the radio into the sleeve until it clicks in. (Figure B)

*Continue on the next page, Step 4*

*(Figure A)**(Figure B)*

### Kit Assembly

### Notes

#### All Vehicles (Cont)

**4. If an equalizer will be included:**

Slide the unit into the back of the radio housing and secure.

**If an equalizer will not be included:**

Snap the equalizer dummy plate into the opening.

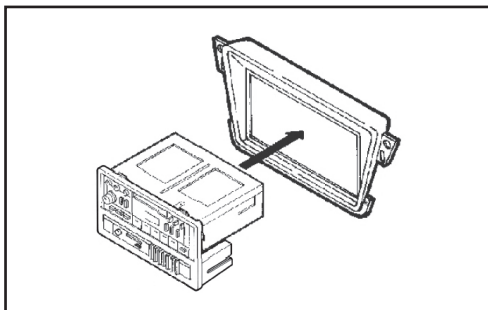
- 5.** Locate the factory wiring harness and connector in the dash and complete all necessary connections to the radio. Metra recommends using the proper mating adapter from Metra. Test the radio for proper operation.

**6. Accord 1990-1993, Integra, Odyssey, Oasis:**

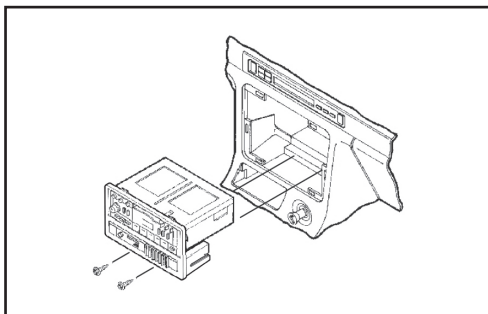
Snap the completed assembly into the sub-dash.

**Legend, TL, Vigor:** Snap the completed assembly into the factory trim bezel. Secure the bezel to the dash with those screws previously removed. (Figure A)

**Accord 1994-1997, CL:** Slide the completed assembly into the sub-dash and secure the rear support bracket to the rear support provision with (2) hex-head bolts previously removed. (Figure B)



(Figure A)



(Figure B)

---

---

---

---

---

---

---

---

---

---

---

---

## Section 4

Honda Civic  
1996-1998

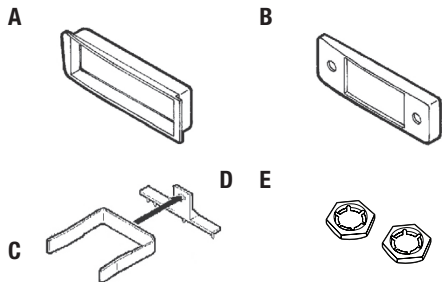
## 99-7891

### KIT FEATURES

- 2-shaft radio provision • DIN radio provision
- Rear support provision

### KIT COMPONENTS

- A) Radio housing • B) Faceplate
- C) Radio support • D) Mounting bracket
- E) (2) Pal nuts • F) Shaft supports



F



### TOOLS REQUIRED

- Phillips screwdriver • Cutting tool • Socket wrench

## Table of Contents

Dash Disassembly .....	4.0
Kit Assembly	
– 2-shaft radio provision .....	4.1
– DIN radio provision.....	4.1

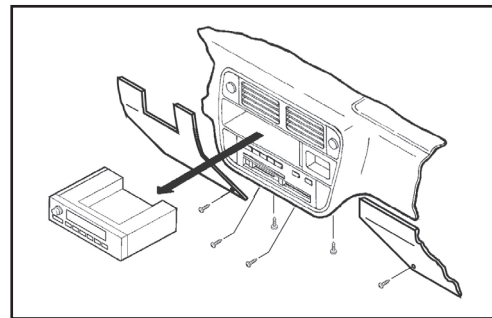
## Dash Disassembly

1. Remove (2) Phillips screws from the bottom edge of the glove box door and remove the door.
2. Remove (3) Phillips screws from the lower steering column panel.

## Dash Disassembly (Cont)

3. Pull straight down on the lower steering column panel and remove the panel.
4. Remove (2) Phillips screws under the climate control panel.
5. Remove (4) Phillips screws from the lower dash location.
6. Remove (2) 8mm hex-head screws securing the bottom-rear of the factory radio and disconnect the wiring.

*Continue to installation instructions for ALL VEHICLES, Section 4*



## Kit Assembly

### 2-shaft radio provision:

1. Snap the faceplate\* and shaft supports into the radio housing. (Figure A)

*Continue to Step 2*

### DIN radio provision:

1. Position the radio housing in the radio opening by inserting the locating pins on the right side of the housing into the holes on the left side of the factory pocket. (Figure B)

*Continue to Step 2*

2. Insert the radio support into the mounting bracket. Turn the radio support to lock into place. (Figure C)
3. Secure the assembly to the factory mounting plate in the sub-dash with (2) pal nuts supplied. (Figure D)

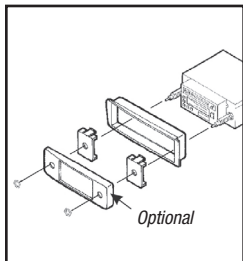
4. Locate the factory wiring harness and connector in the dash and complete all necessary connections to the radio. Metra recommends using the proper mating adapter from Metra. Test the radio for proper operation.

### 5. 2-shaft radio provision (Figure E):

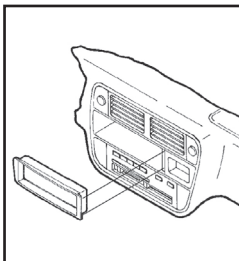
- a. Snap the completed assembly into the sub-dash. Ensure that the radio engages the radio support in the dash.

### 6. DIN radio provision (Figure F):

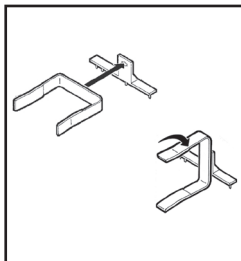
- a. Remove the metal DIN sleeve from the aftermarket radio.
- b. Slide the sleeve into the radio housing and secure by bending the metal locking tabs down.
- c. Slide the radio into the sleeve until it clicks in. Ensure that the radio engages the radio support in the dash.



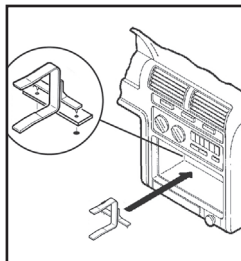
(Figure A)



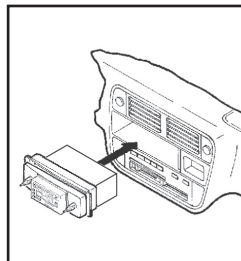
(Figure B)



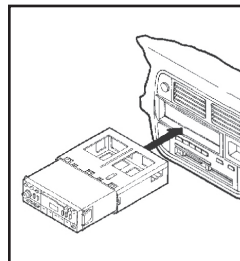
(Figure C)



(Figure D)



(Figure E)



(Figure F)

### Section 5

Acura/Honda/Isuzu  
1997-2001

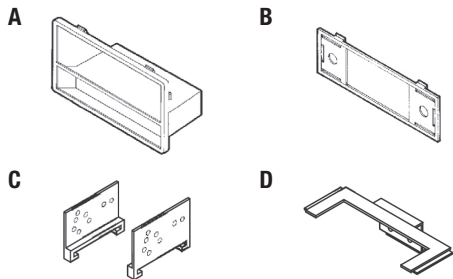
### 99-7892

#### KIT FEATURES

- 2-shaft radio provision with pocket
- DIN radio provision with pocket
- ISO DIN radio provision with pocket
- Rear support provision

#### KIT COMPONENTS

- A) Radio housing • B) Faceplate
- C) ISO DIN brackets • D) Rear support bracket
- E) (2) Phillips screws



#### TOOLS REQUIRED

- Phillips screwdriver • Cutting tool • Socket wrench

### Table of Contents

#### Dash Disassembly

##### Acura

– CL 1997-1999 .....	5.1
– Integra 1990-1993.....	5.1
– Integra 1994-2001.....	5.2
– Legend 1990.....	5.2-5.3
– Legend 1991-1996 .....	5.3
– TL 1996-1998.....	5.4
– Vigor 1992-1994.....	5.4

##### Honda

– Accord 1990-1993.....	5.5
– Accord 1994-1997.....	5.5
– Odyssey 1995-1998 .....	5.6
– Isuzu Oasis 1996-1999.....	5.6

#### Kit Assembly

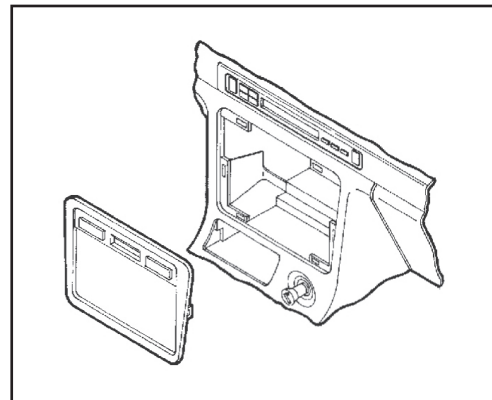
– 2-shaft radio provision with pocket .....	5.6
– DIN radio provision with pocket.....	5.7
– ISO DIN radio provision with pocket.....	5.7

### Dash Disassembly

#### Acura CL 1997-1999

1. Unclip the radio trim bezel and disconnect the clock and climate control wiring. (Figure A)
2. Remove (2) 8mm hex-head screws securing the factory radio and disconnect the wiring.

*Continue on the next page*



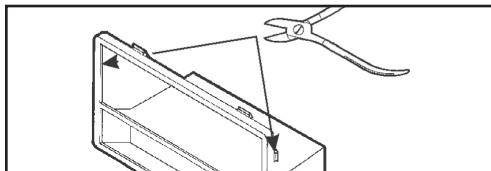
(Figure A)

## Dash Disassembly

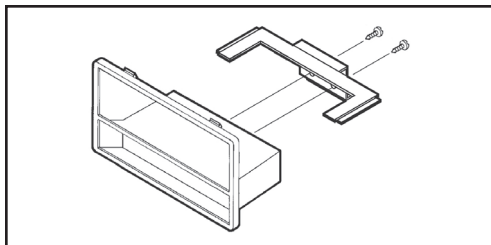
### Acura CL 1997-1999 (Cont)

3. Cut and remove the side clips from the radio housing. (Figure B)
4. Secure the rear support bracket to the back of the pocket with (2) Phillips screws supplied. (Figure C)

Continue to kit assembly for ALL VEHICLES, Section 5



(Figure B)



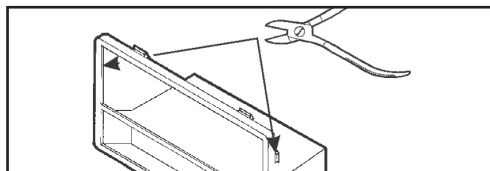
(Figure C)

### Acura Integra 1990-1993

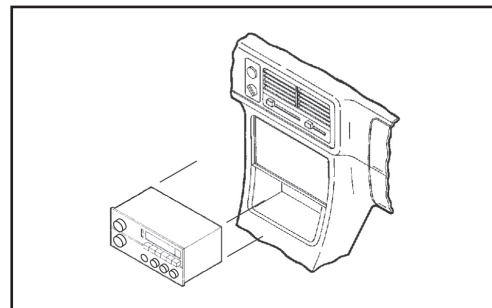
1. Remove (3) screws from each side of the center console and remove the console. (Figure A)
2. Remove (2) screws securing the factory radio to the sub-dash support bracket. (Figure A)
3. Slide the radio/pocket assembly out and disconnect the wiring.
4. Cut and remove the top clips from the radio housing. (Figure B)

**For ISO DIN radio provisions:** Secure the rear support bracket to the back of the pocket with (2) Phillips screws supplied. (Figure C)

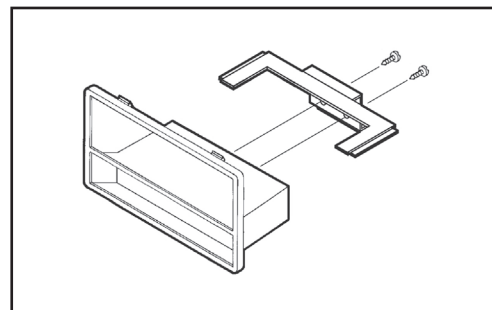
Continue to kit assembly for ALL VEHICLES, Section 5



(Figure B)



(Figure A)



(Figure C)

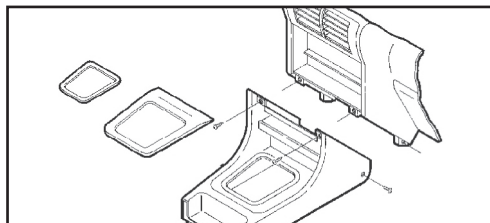
## Dash Disassembly

### Acura Integra 1994-2001

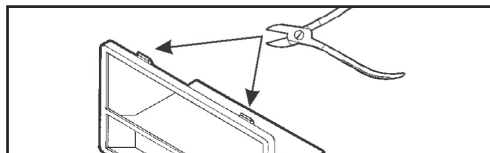
1. Remove the cover cap located under the emergency brake and remove (2) screws exposed. (Figure A)
2. Remove (2) screws from the rear corners of the lower dash trim bezel and remove. (Figure A)
3. Remove the ashtray and (2) screws exposed. Unsnap the ashtray housing and disconnect the cigarette lighter harness.
4. Remove the gear shifter knob and unsnap the shifter trim.
5. Remove (2) screws below the radio opening and remove the upper dash trim bezel.
6. Remove (2) 8mm screws securing the factory radio and disconnect the wiring.
7. Cut and remove the top clips from the radio housing. (Figure B)

**For ISO DIN radio provisions:** Secure the rear support bracket to the back of the pocket with (2) Phillips screws supplied. (Figure C)

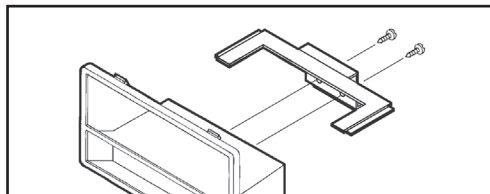
Continue to kit assembly for ALL VEHICLES, Section 5



(Figure A)



(Figure B)

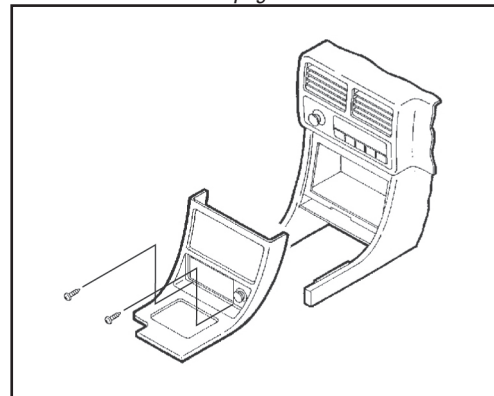


(Figure C)

### Acura Legend 1990

1. Remove (2) screws below the ashtray. (Figure A)
2. Unclip the dash trim bezel.
3. Disconnect the cigarette lighter wiring and remove the bezel.
4. Remove (2) bolts securing the rear of the factory radio and disconnect the wiring.

Continue on the next page



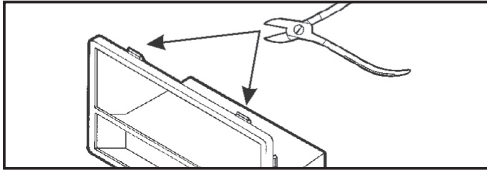
(Figure A)

## Dash Disassembly

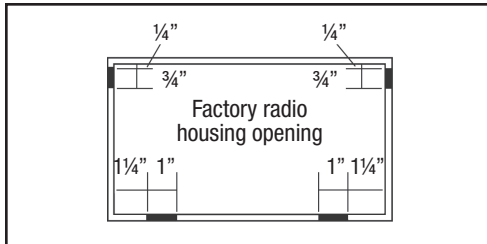
### Acura Legend 1990 (Cont)

5. Cut and remove the top clips from the radio housing. (Figure B)
6. Modify the factory radio housing by trimming the shaded portions of the housing lip. (Figure C)

Continue to kit assembly for ALL VEHICLES, Section 5



(Figure B)



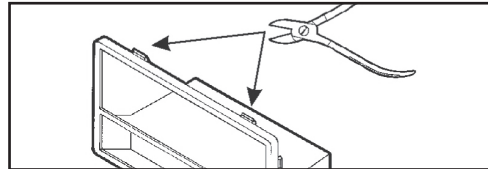
(Figure C)

### Acura Legend 1991-1996

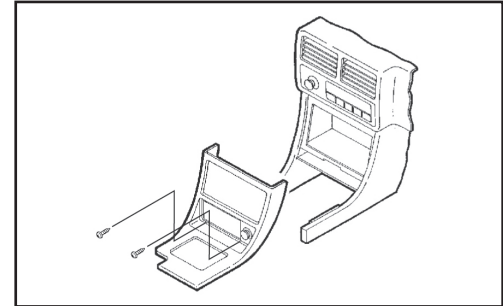
1. Remove (2) screws below the ashtray. Unclip the dash trim bezel. (Figure A)
2. Disconnect the cigarette lighter wiring and remove the bezel.
3. Remove (2) bolts securing the rear of the factory radio and disconnect the wiring.
4. Cut and remove the top clips from the radio housing. (Figure B)

**For ISO DIN radio provisions:** Secure the rear support bracket to the back of the pocket with (2) Phillips screws supplied. (Figure C)

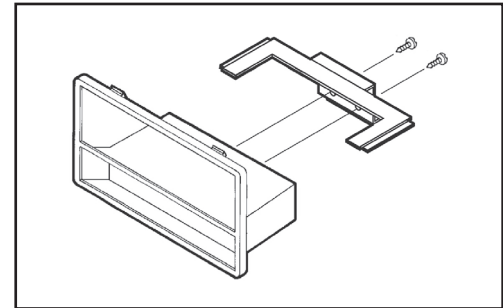
Continue to kit assembly for ALL VEHICLES, Section 5



(Figure B)



(Figure A)



(Figure C)



## Dash Disassembly

### Acura TL 1996-1998

- Using a small screwdriver, unclip the perimeter of the radio trim bezel.
- Disconnect the climate control and rear defroster wiring and remove the bezel.
- Remove (4) Phillips screws securing the factory radio/trim bezel assembly. (Figure A)
- Loosen (2) Phillips screws securing the back of the radio to the metal housing and slide the unit out. Disconnect the wiring.

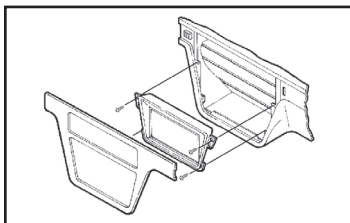
**Note:** it is NOT necessary to remove the screws securing the metal housing to the bezel.

- Cut and remove the top clips from the radio housing. (Figure B)

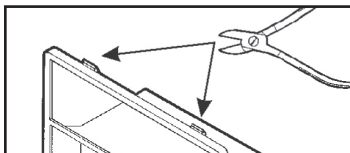
#### For ISO DIN radio provisions:

Secure the rear support bracket to the back of the pocket with (2) Phillips screws supplied. (Figure C)

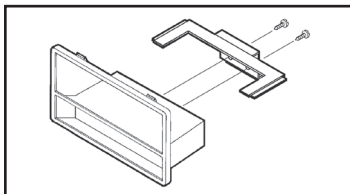
Continue to kit assembly for ALL VEHICLES, Section 5



(Figure A)



(Figure B)

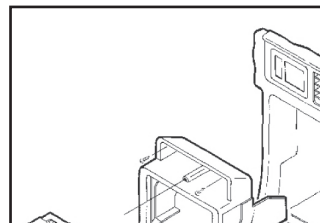


(Figure C)

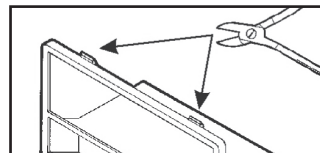
### Acura Vigor 1992-1994

- Remove the access cap from the climate control cluster and (1) screw exposed. (Figure A)
- Unclip the cluster and remove (2) screws exposed. Remove the ashtray and (2) Phillips screws exposed. (Figure A)
- Remove the cover caps from each front corner of the center console and the screws exposed.
- Open the storage compartment, lift up the carpet and remove (2) screws exposed.
- Lift up on the center console and remove. Unclip the radio trim bezel and disconnect the wiring.
- Remove (2) bolts from the back of the factory radio and disconnect the wiring.
- Cut and remove the top clips from the radio housing. (Figure B)
- Modify the factory radio housing by trimming the shaded portions of the housing lip. (Figure C)

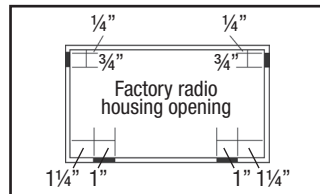
Continue to kit assembly for ALL VEHICLES, Section 5



(Figure A)



(Figure B)

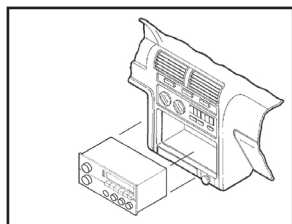


(Figure C)

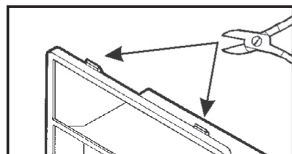
## Dash Disassembly

### Honda Accord 1990-1993

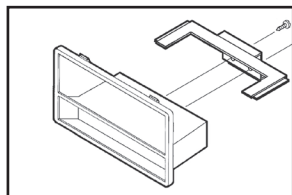
1. Remove (4) screws from the lower portion of the center console. (Figure A)
2. Remove the gear shifter knob and lift the console out. Remove the ashtray and ashtray bracket.
3. Remove (2) screws from the bottom of the radio support, slide the unit out and disconnect the wiring.
4. Cut and remove the top clips from the radio housing. (Figure B)



(Figure A)



(Figure B)



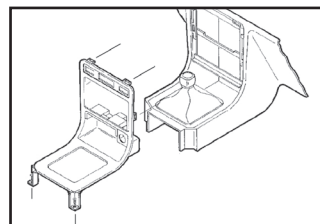
(Figure C)

**For ISO DIN radio provisions:**  
Secure the rear support bracket to the back of the pocket with (2) Phillips screws supplied. (Figure C)

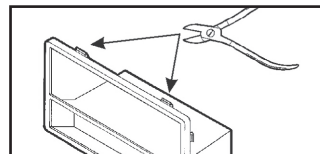
Continue to kit assembly for ALL VEHICLES, Section 5

### Honda Accord 1994-1997

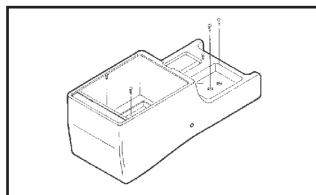
1. Remove the ashtray and (1) 3/4" #8 Phillips screw exposed.
2. Open the storage compartment and remove (2) #8 Phillips screws exposed.
3. Remove the cupholder tray and (3) #8 Phillips screws inside. (Figure A)
4. Lift the center console out and remove (2) Phillips screws exposed at the base of the dash trim bezel. (Figure B)
5. Unclip the bezel and remove. Remove (2) hex-head screws securing the factory radio and disconnect the wiring.
6. Cut and remove the side clips from the radio housing. (Figure C)
7. Secure the rear support bracket to the back of the pocket with (2) Phillips screws supplied. (Figure D)



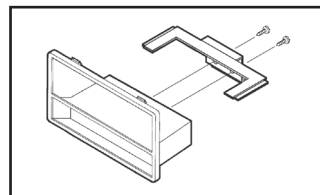
(Figure B)



(Figure C)



(Figure A)



(Figure D)

Continue to kit assembly for ALL VEHICLES, Section 5

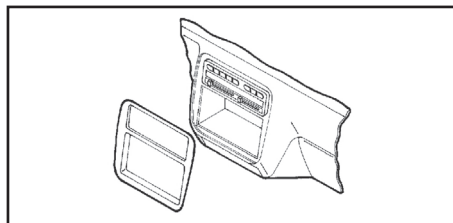
## Dash Disassembly

**Honda Odyssey 1995-1998,  
Isuzu Oasis 1996-1999**

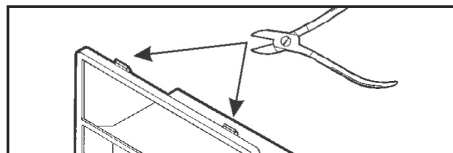
1. Remove (2) 8mm screws under the glove box.
2. Remove (1) Phillips screw on the glove box arm and remove the box.
3. Remove (2) Phillips screws exposed in the glove box cavity.
4. Remove (2) Phillips screws below the storage box door (under the ashtray).
5. Remove (2) screws from the left side of the dash console. Remove (1) Phillips screw from the coin tray.
6. Remove (1) Phillips screw under the ignition. Remove (4) Phillips screws securing the factory cupholder.
7. Remove (2) 8mm hex-head screws from the rear support bracket and disconnect the wiring.
8. Cut and remove the top clips from the radio housing.

**For ISO DIN radio provisions:** Secure the rear support bracket to the back of the pocket with (2) Phillips screws supplied. (Figure C)

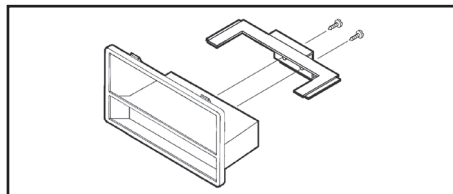
Continue to kit assembly for ALL VEHICLES, Section 5



(Figure A)



(Figure B)



(Figure C)

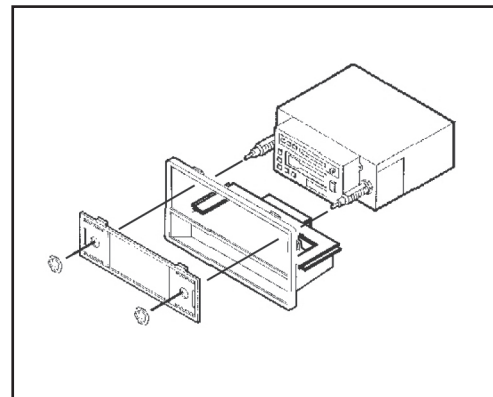
## Kit Assembly

**All Vehicles**

**2-shaft radio provision with pocket:**

1. Snap the faceplate into the radio housing. (Figure A)
2. Slide the radio into the kit and secure with shaft nuts. (Figure A)

Continue on the next page, Step 4



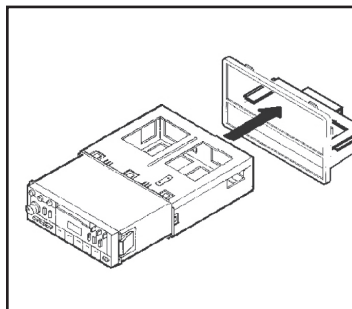
(Figure C)

## Kit Assembly (Cont)

### DIN radio provision with pocket:

1. Remove the metal DIN sleeve from the aftermarket radio.
2. Slide the sleeve into the kit and secure by bending the metal locking tabs down. (Figure B)
3. Slide the radio into the sleeve until it clicks in. (Figure B)

*Continue to Step 4*

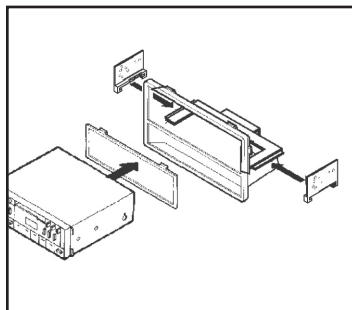


(Figure B)

### ISO DIN radio provision with pocket:

1. Slide the ISO DIN brackets onto the sides of the rear support bracket. Cut and remove the shaft supports from the Faceplate and snap into the radio housing. (Figure C)
2. Remove the metal DIN sleeve and trim ring from the aftermarket radio.
3. Slide the radio into the housing; align the holes in the radio with the holes in the ISO DIN brackets and secure with the screws supplied with the radio. (Figure C)

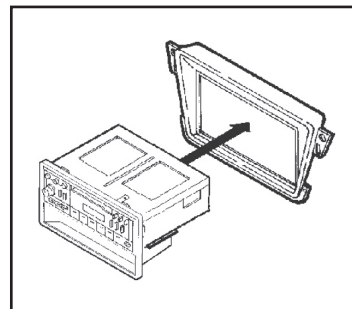
*Continue to Step 4*



(Figure C)

### All vehicles (CONT):

4. Locate the factory wiring harness and connector in the dash and complete all necessary connections to the radio. Metra recommends using the proper mating adapter from Metra. Test the radio for proper operation.
5. **Accord 1990-93, Integra, Odyssey, Oasis:**  
Snap the completed assembly into the sub-dash.



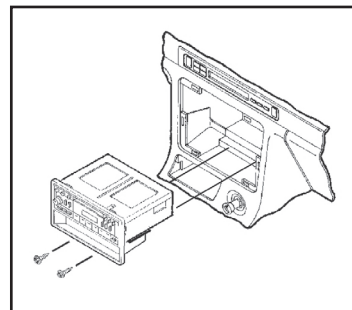
(Figure D)

### Legend, TL, Vigor:

Snap the completed assembly into the factory trim bezel. Secure the bezel to the dash with those screws previously removed. (Figure D)

### Accord 1994-97, CL:

Slide the completed assembly into the sub-dash and secure the rear support provision with (2) hex-head bolts previously removed. (Figure E)



(Figure E)

## Section 6

Honda CR-V / Prelude  
1997-2001

### 99-7893

#### KIT FEATURES

---

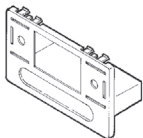
- DIN radio provision with pocket
  - 2-shaft radio provision with pocket
- 

#### KIT COMPONENTS

---

- A) Radio housing

A



#### TOOLS REQUIRED

---

- Phillips screwdriver • Cutting tool • Socket wrench

## Table of Contents

### Dash Disassembly

- Honda CR-V 1997-2001 ..... 6.0
- Honda Prelude 1997-2001 ..... 6.1

### Kit Assembly

- 2-shaft radio provision with pocket ..... 6.1-6.2
- DIN radio provision with pocket ..... 6.1-6.2

## Dash Disassembly

### Honda CR-V 1997-2001

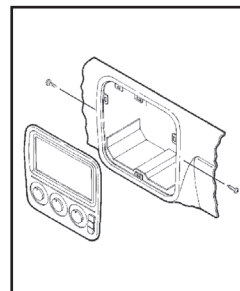
1. Open the glove box, squeeze the retaining clips and remove the stoppers.
2. Lower the glove box and remove (2) Phillips screws from the left edge.
3. Remove (2) Phillips screws from the lower steering column panel and remove.
4. Unclip the lower console cover (below the ashtray and pocket) and remove.
5. Remove (2) Phillips screws from the base of the center console, open the console pocket and

## Dash Disassembly (Cont)

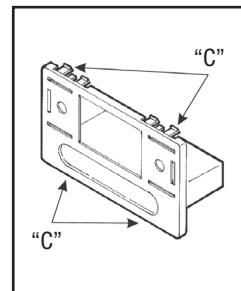
remove the (4) outer screws exposed. Unclip the center console and remove.

6. Remove (2) Phillips screws securing the radio trim bezel, disconnect the wiring, and remove the trim bezel/radio assembly. (Figure A)
7. Remove (4) Phillips screws securing the radio to the bezel and remove.
8. Cut and remove all mounting clips on the radio housing EXCEPT the clips stamped "C". (Figure B)

*Continue to kit assembly for ALL VEHICLES, Section 6*



(Figure A)



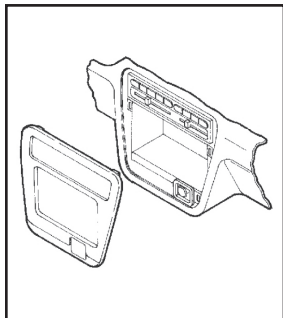
(Figure B)

## Dash Disassembly

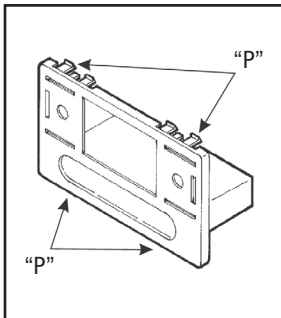
### Honda Prelude 1997-2001

1. Using a panel removal tool, unclip the radio trim bezel and remove (some force may be required). (Figure A)
2. Remove (4) Phillips screws securing the factory radio/ bracket housing assembly and disconnect the wiring. (Figure A)
3. Remove (4) Phillips screws securing the factory radio to the bracket housing and remove.
4. Cut and remove all mounting clips on the radio housing EXCEPT the clips stamped "P". (Figure B)

*Continue to kit assembly for ALL VEHICLES, Section 6*



(Figure A)



(Figure B)

## Kit Assembly

### All Vehicles

#### 2-shaft radio provision with pocket:

1. Slide the radio into the radio housing. (Figure A)
2. Secure unit with shaft nuts. (Figure A)

*Continue to Step 4*

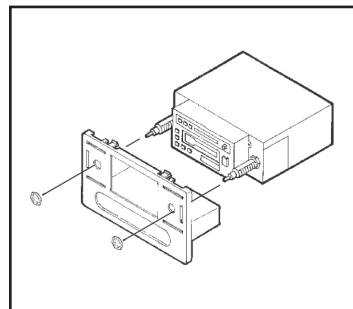
#### DIN radio provision with pocket:

1. Remove the metal DIN sleeve from the aftermarket radio.
2. Cut and remove the shaft supports from the radio housing and then slide the sleeve into the kit. Secure by bending the metal locking tabs down.
3. Slide the radio into the sleeve until it clicks in. (Figure B)

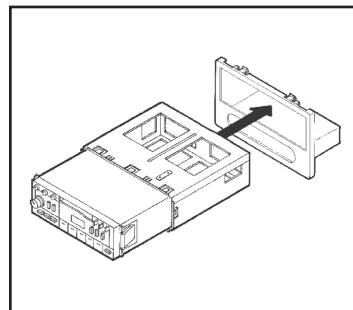
*Continue to Step 4*

4. Locate the factory wiring harness and connector in the dash and complete all necessary connections to the radio. Metra recommends using the proper mating adapter from Metra. Test the radio for proper operation.

*Continued on the next page*



(Figure A)



(Figure B)

## Kit Assembly (Cont)

## Notes

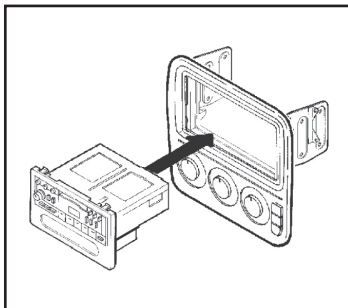
### All Vehicles (CONT)

5. Install the completed assembly to the vehicle.

#### CR-V:

Snap the completed assembly into the radio trim bezel and secure the bezel to the dash using those screws previously removed.

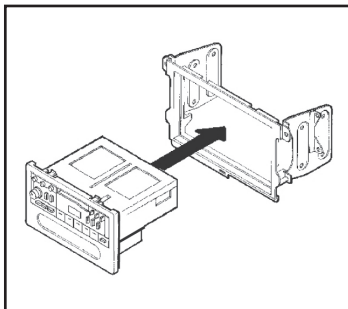
(Figure C)



(Figure C)

#### Prelude:

Snap the completed assembly into the factory bracket housing and secure the housing to the sub-dash with (4) Phillips screws previously removed. (Figure D)



(Figure D)

---

---

---

---

---

---

---

---

---

---

---

---

---

---

---

## Section 7

Honda Accord  
1998-2002

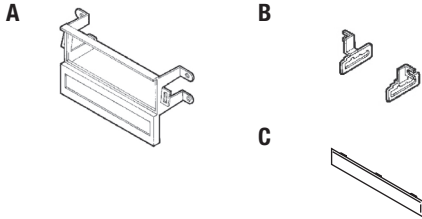
## 99-7894

### KIT FEATURES

- DIN radio provision
- Equalizer/factory-pocket provision

### KIT COMPONENTS

- A) Radio housing
- B) Brackets
- C) Equalizer dummy plate



### TOOLS REQUIRED

- Phillips screwdriver
- Cutting tool
- Socket wrench

## Table of Contents

**Dash Disassembly** .....7.0-7.1

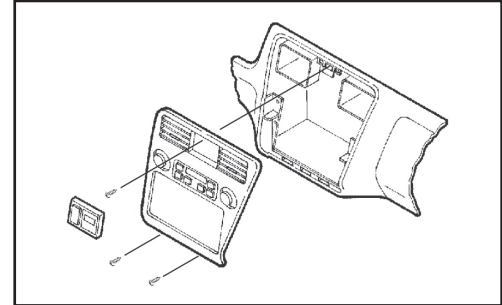
**Kit Assembly**

– DIN radio provision.....7.1-7.2

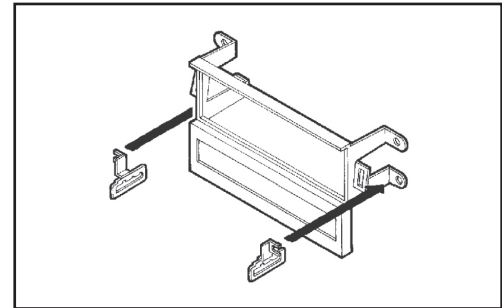
## Dash Disassembly

1. Unsnap the clock panel, disconnect the wiring and remove.
2. Remove (1) Phillips screw exposed in the clock cavity. (Figure A)
3. Remove (2) Phillips screws below the factory radio. Unclip the radio trim bezel and disconnect the wiring. (Figure A)
4. Remove (4) Phillips screws securing the factory radio assembly and disconnect the wiring.
5. Remove (2) screws securing the factory pocket to the assembly.
6. Snap the Brackets onto the front of the lower mounting tabs on the radio housing. (Figure B)

*Continue on the next page*



(Figure A)



(Figure B)



## Dash Disassembly (Cont)

### 7. If NOT KEEPING the factory pocket:

**If an equalizer will be included:** Slide the unit into the back of the radio housing and secure.

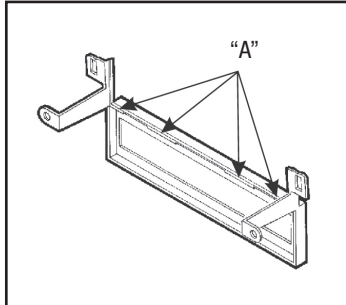
**If an equalizer will not be included:** Snap the equalizer dummy plate into the opening.  
*Continue to kit assembly*

### If KEEPING the factory pocket:

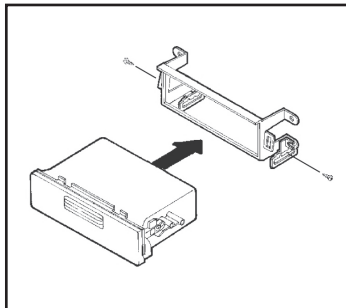
Cut sections "A" on the back of the radio housing and break away the bottom portion of the housing. (Figure C)

Secure the factory pocket to the housing with (2) screws previously removed. (Figure D)

*Continue to kit assembly*



(Figure C)

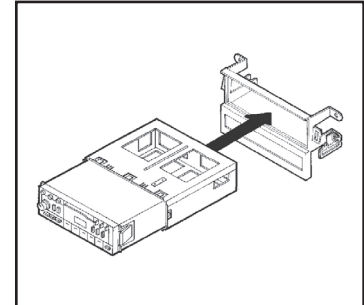


(Figure D)

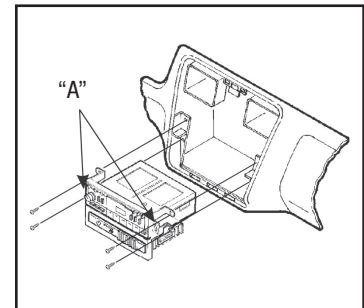
## Kit Assembly

### DIN radio provision:

1. Remove the metal DIN sleeve from the aftermarket radio.
2. Slide the sleeve into the *radio housing* and secure by bending the metal locking tabs down.
3. Slide the radio into the sleeve until it clicks in. (Figure A)
4. Locate the factory wiring harness and connector in the dash and complete all necessary connections to the radio. Metra recommends using the proper mating adapter from Metra. Test the radio for proper operation.
5. Secure the completed assembly to the sub-dash with (4) Phillips screws previously removed. (Figure B)
6. Re-attach the radio trim bezel. Be sure the clips on the back of the bezel engage slots "A" on the kit. (Figure B)



(Figure A)



(Figure B)

## Section 8

Honda Accord  
1998-2002

### **99-7895**

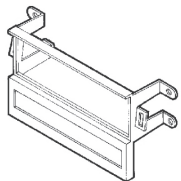
#### **KIT FEATURES**

- DIN radio provision with pocket

#### **KIT COMPONENTS**

- A) Radio housing

A



#### **TOOLS REQUIRED**

- Phillips screwdriver

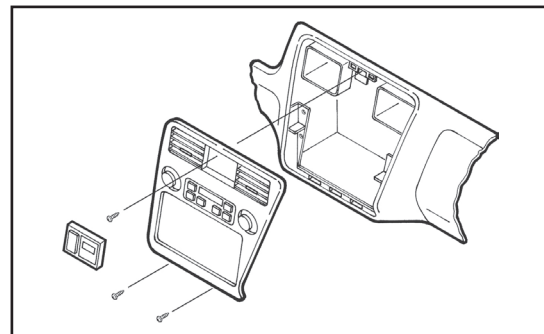
## Table of Contents

<b>Dash Disassembly</b> .....	8.0
<b>Kit Assembly</b>	
– DIN radio provision with pocket .....	8.1

## Dash Disassembly

1. Unsnap the clock panel, disconnect the wiring and remove.
2. Remove (1) Phillips screw exposed in the clock cavity. (Figure A)
3. Remove (2) Phillips screws below the factory radio. Unclip the radio trim bezel and disconnect the wiring. (Figure A)
4. Remove (4) Phillips screws securing the factory radio assembly and disconnect the wiring.

*Continue to kit assembly*

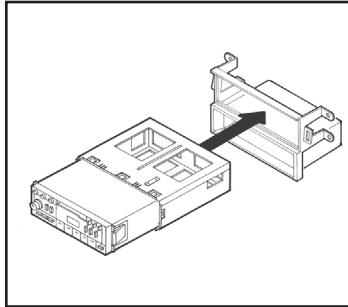


(Figure A)

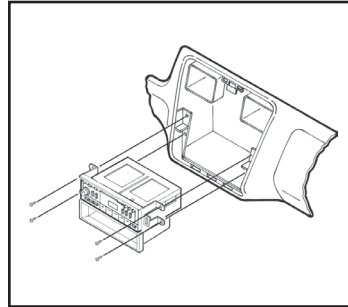
## Kit Assembly

### DIN radio provision with pocket:

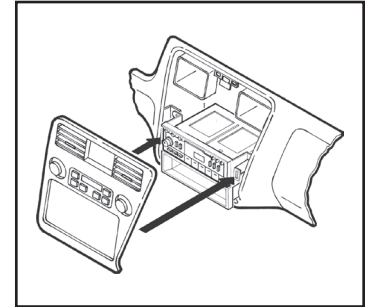
1. Remove the metal DIN sleeve from the aftermarket radio.
2. Slide the sleeve into the *radio housing* and secure by bending the metal locking tabs down.
3. Slide the radio into the sleeve until it clicks in. (Figure A)
4. Locate the factory wiring harness and antenna connector in the dash. Metra recommends using the proper mating adapter from Metra. Test the radio for proper operation.
5. Secure the completed assembly to the sub-dash with (4) Phillips screws previously removed. (Figure B)
6. Re-attach the radio trim bezel. (Figure C)



(Figure A)



(Figure B)



(Figure C)

**Note:** Make sure the clips on the back of the bezel engage the slots on the kit.











Installation instructions for part INST-7800



## IMPORTANT

If you are having difficulties with the installation of this product, please call our Tech Support line at **1-800-253-TECH**. Before doing so, look over the instructions a second time, and make sure the installation was performed exactly as the instructions are stated. Please have the vehicle apart and ready to perform troubleshooting steps before calling.



### KNOWLEDGE IS POWER

Enhance your installation and fabrication skills by enrolling in the most recognized and respected mobile electronics school in our industry. Log onto [www.installerinstitute.com](http://www.installerinstitute.com) or call 800-354-6782 for more information and take steps toward a better tomorrow.



**Metra recommends MECP certified technicians**

REV 10/12/2016 INST-7800