



## INSTALLATION INSTRUCTIONS FOR PART 99-3302

### APPLICATIONS

See application list inside

# GM multi-kit 2004-2010 99-3302

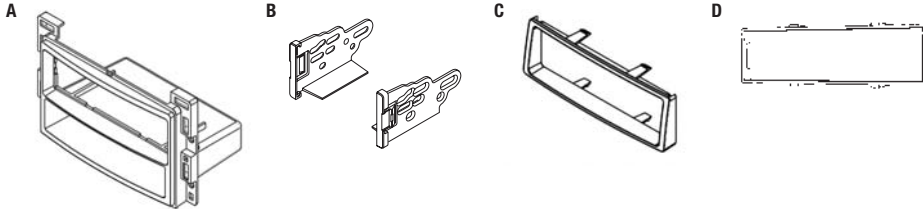
### KIT FEATURES

- DIN mount radio provision with pocket
- ISO mount radio provision with pocket
- *Painted to match factory dash*



### KIT COMPONENTS

- A) Radio housing • B) ISO brackets • C) Trim plate • D) DIN spacer



### WIRING & ANTENNA CONNECTIONS (sold separately)

#### Wiring Harness:

- Visit [www.metraonline.com](http://www.metraonline.com) for specific interface applications

#### Antenna Adapter:

- 40-CR10 - Chrysler antenna adapter 2002-up
- 40-GM10 - GM antenna adapter 1988-up

### TOOLS REQUIRED

- Small flat blade screwdriver/Panel removal tool
- Phillips screwdriver • Socket set • Cutting tool

**CAUTION:** Metra recommends disconnecting the negative battery terminal before beginning any installation. All accessories, switches, and especially air bag indicator lights must be plugged in before reconnecting the battery or cycling the ignition.

**NOTE:** Refer to the instructions included with the aftermarket radio.



99-3302

## Applications

### Chevrolet

Cobalt.....	2005-2010*
Equinox .....	2005-2006
HHR.....	2006-2011
Malibu .....	2004-2007**
Malibu .....	2008-2012

*\*Cobalt 2005-2006  
To retain OnStar use 99-3303 instead.*

*\*\*Malibu and G6 only  
The Driver Information Center and radio are one unit. Removal of the radio will prohibit the vehicle owner from programming any of the features of the Driver Information Center. However once the features are programmed the vehicle will retain all the settings. An alternative kit 99-3303 includes a replacement driver information center with programming capabilities.*

### Pontiac

G5 .....	2007-2009
G6 .....	2005-2009**
G6 .....	2009.5-2010
Solstice.....	2006-2009
Torrent.....	2006

### Saturn

Aura .....	2007-2009
Ion.....	2006-2007
Sky.....	2006-2009
Vue.....	2006-2007

*The 99-3303 does not allow for Double DIN installations. Refer also to the instructions included with the aftermarket radio.*

## Table of Contents

### Dash Disassembly

- Chevrolet Cobalt 2005-2010 .....	3
- Chevrolet Equinox 2005-2006 .....	4
- Chevrolet HHR 2006-2011 .....	4
- Chevrolet Malibu 2004-2007 .....	5-6
- Chevrolet Malibu 2008-2012 .....	6-7
- Pontiac G5 2007-2009 .....	3
- Pontiac G6 2005-2009 .....	7
- Pontiac G6 2009.5-2010 .....	7
- Pontiac Solstice 2006-2009 .....	8
- Pontiac Torrent 2006 .....	4
- Saturn Aura 2007-2009.....	9
- Saturn Ion 2006-2007 .....	9
- Saturn Sky 2006-2009 .....	10
- Saturn Vue 2006-2007 .....	11

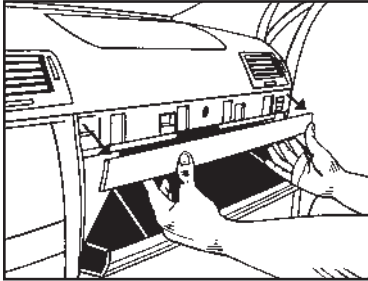
### Kit Assembly

- DIN mount radio provision .....	12
- ISO mount radio provision .....	13

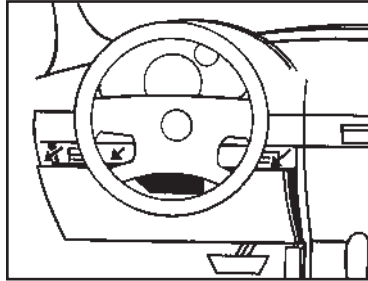


## Dash Disassembly 99-3302

### Chevrolet Cobalt 2005-2010 Pontiac G5 2007-2009



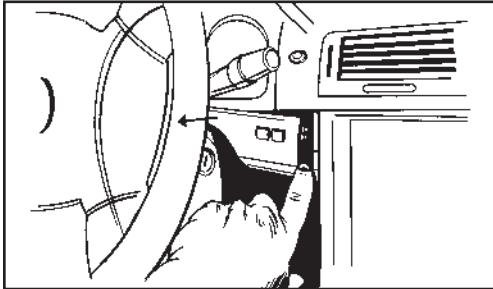
(Figure A)



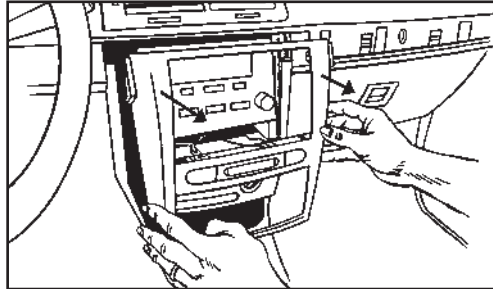
(Figure B)

1. Unclip and remove trim panel from above glove box. (Figure A)
2. Unclip upper edge of panel below steering column and let hang. Not necessary to remove completely. (Figure B)
3. Unclip and remove small trim panel to right of ignition switch. (Figure C)
4. Unclip and remove trim panel surrounding radio and climate controls. (Figure D)
5. Remove (4) 9/32" screws securing radio. Unplug and remove the radio. (Figure E)

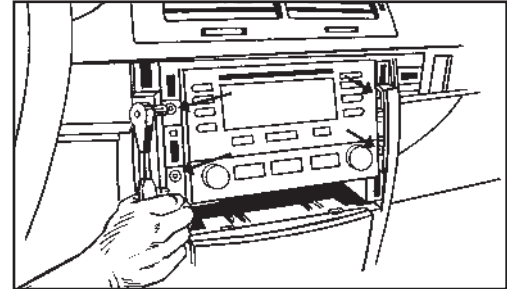
*Continue to kit assembly*



(Figure C)



(Figure D)



(Figure E)



## Dash Disassembly 99-3302

### Chevrolet Equinox 2005-2006 Pontiac Torrent 2006

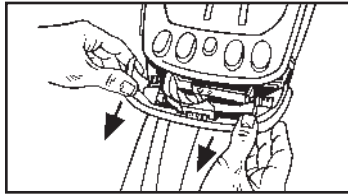
1. Unsnap panel below power window switch and remove. (Figure A)

**Note:** This allows you to unplug the window switch easier.

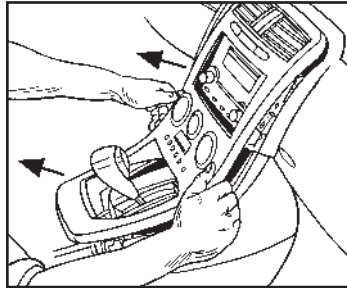
2. Unsnap and remove entire panel surrounding radio and shifter. (Figure B)

3. Remove (4) 9/32" screws securing radio. Unplug and remove the radio. (Figure C)

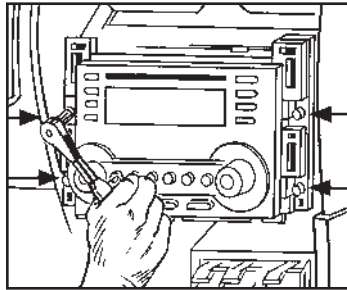
Continue to kit assembly



(Figure A)



(Figure B)

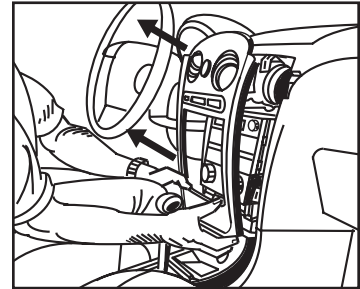


(Figure C)

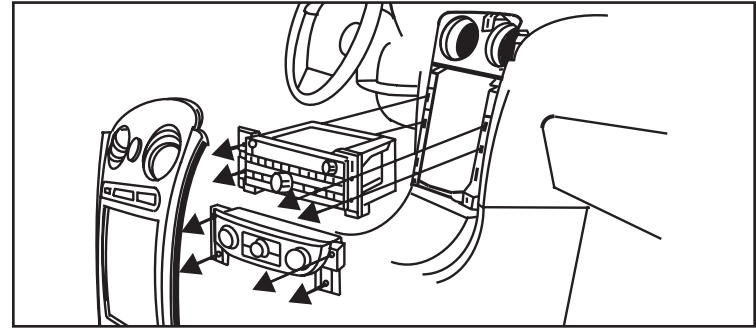
### Chevrolet HHR 2006-2011

1. Unclip and remove entire panel surrounding radio and A/C controls including the A/C vents. (Figure A)
2. Remove (8) 9/32" screws securing radio and A/C control to remove radio. (Figure B)

Continue to kit assembly



(Figure A)

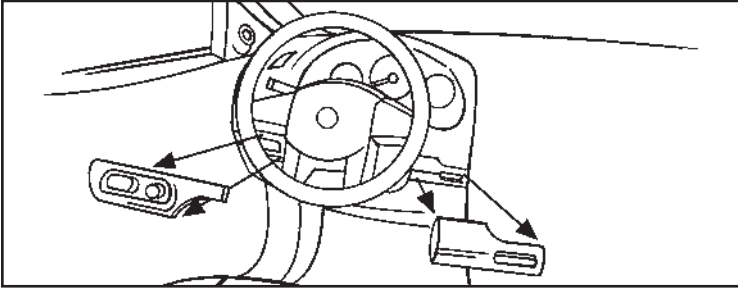


(Figure B)



## Dash Disassembly 99-3302

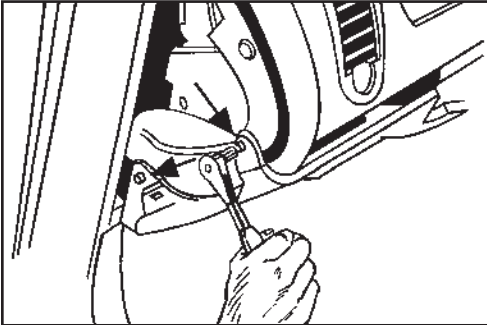
### Chevrolet Malibu 2004-2007



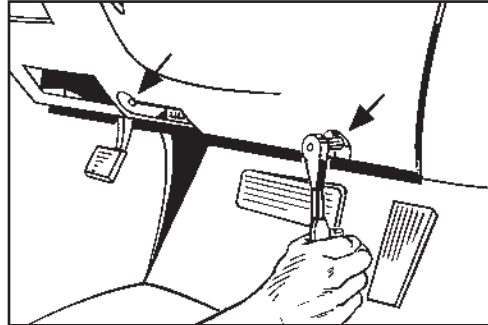
(Figure A)

1. Unclip and remove wood grain/painted trim pieces from both sides of steering wheel. (Figure A)
2. Unclip and remove side panel from driver's side of dash with door open and remove (2) 7 mm screws. (Figure B)
3. Remove (2) 7 mm screws from bottom edge of panel below steering wheel. Unclip panel and let hang. It is not necessary to completely remove panel. (Figure C)
4. Unclip and remove wood grain/painted trim piece from above glove box. (Figure D)

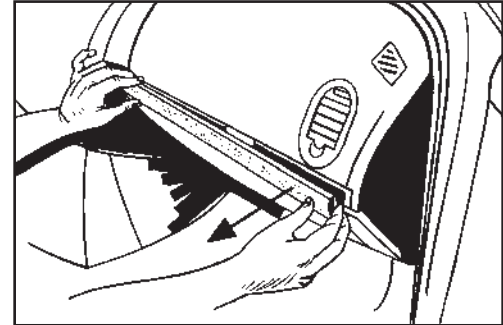
*Continue to on next page*



(Figure B)



(Figure C)

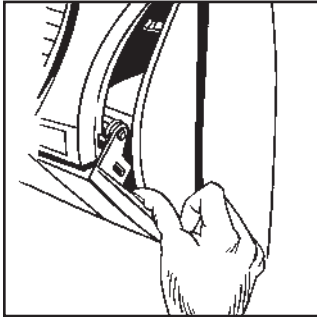


(Figure D)



## Dash Disassembly 99-3302

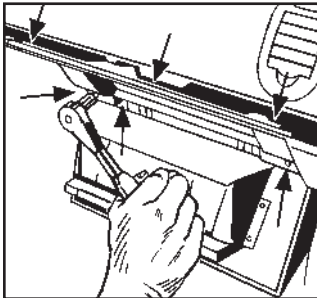
### Chevrolet Malibu 2004-2007



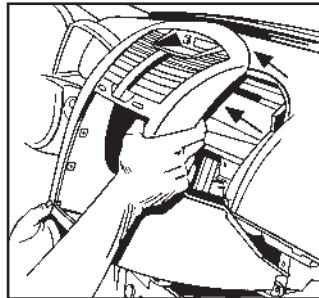
(Figure E)

5. Unclip and remove side panel from passenger side of dash with door open and remove (2) 7 mm screws from behind panel. (Figure E)
6. Remove (2) 7 mm screws from bottom of glove box then open box and squeeze sides together to open further and remove the remaining (4) 7 mm screws. Unclip the black vent cover under the glove box then unclip and remove entire glove box assembly. (Figure F)
7. Unclip and remove trim panel surrounding radio and climate controls. (Figure G)
8. Remove (4) 7 mm screws securing the radio and (2) 7 mm screws securing the climate control. Unplug and remove the radio. (Figure H)

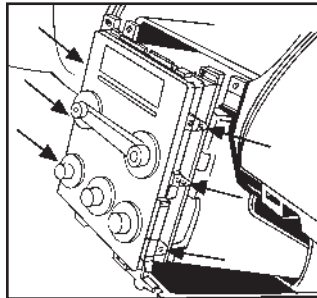
*Continue to kit assembly*



(Figure F)



(Figure G)



(Figure H)

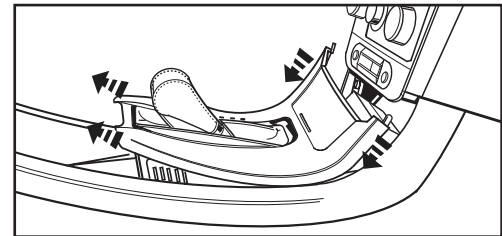
### Chevrolet Malibu 2008-2012

1. Unsnap and remove shifter trim. (Figure A)

**Note:** Start around shifter and be sure to pull down before back because this panel slides up under the radio/climate panels.

2. Remove (2) 8 mm screws from bottom of radio/climate panel.
3. Unsnap and remove the climate/radio panel and upper vent trim panel together. They can be separated after removal. (Figure B,C)
4. Remove (6) 8 mm screws from radio and climate controls.

*Continue to kit assembly*

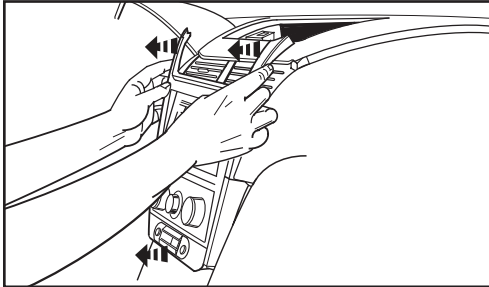


(Figure A)

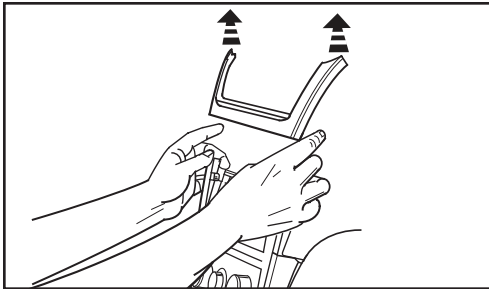


## Dash Disassembly 99-3302

### Chevrolet Malibu 2008-2012



(Figure B)

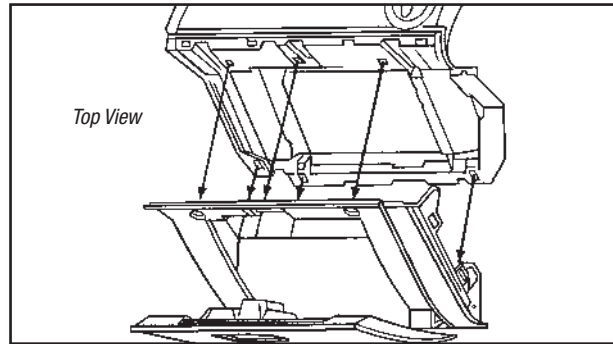


(Figure C)

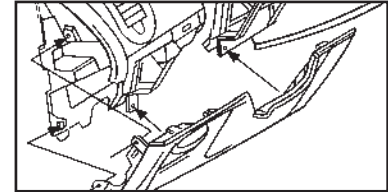
### Pontiac G6 2005-2009/G6 2009.5-2010

1. Open glove box and remove (6) screws from outer edge and then unclip and remove box. (Figure A)
2. Remove (4) screws from panel below steering column. Unclip and remove panel. (Figure B)
3. Unclip and remove center panel surrounding radio and A/C controls. (Figure C)
4. Remove (4) screws securing the radio. Unplug and remove the radio. (Figure D)

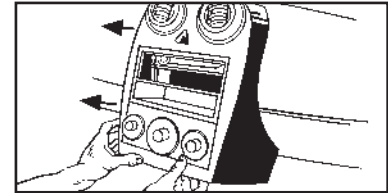
*Continue to kit assembly*



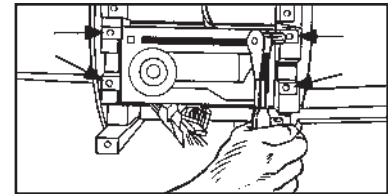
(Figure A)



(Figure B)



(Figure C)

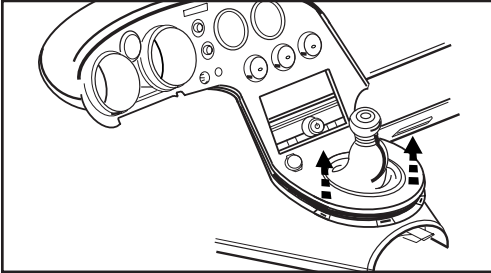


(Figure D)



## Dash Disassembly 99-3302

### Pontiac Solstice 2006-2009



(Figure A)

#### 1. Manual transmission

(a) Lift up the lower edge of the instrument panel cluster trim plate enough to reach underneath and release the shift boot trim ring retaining tabs. (Figure A)

(b) Lift up on the shift boot and loosen the setscrew to release the shift lever. (Figure B)

#### Automatic transmission

(a) Unclip and remove shifter trim ring. (Figure C)

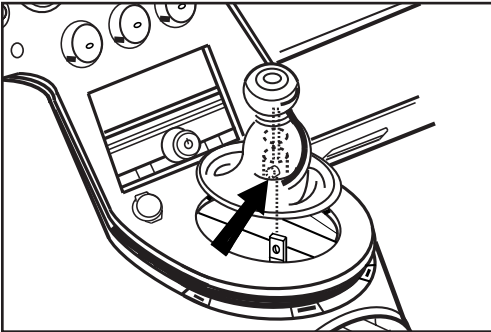
2. Unclip and remove passenger assist handle trim panel. (Figure D)

3. Remove (2) bolts securing the passenger assist handle and remove handle. (Figure D)

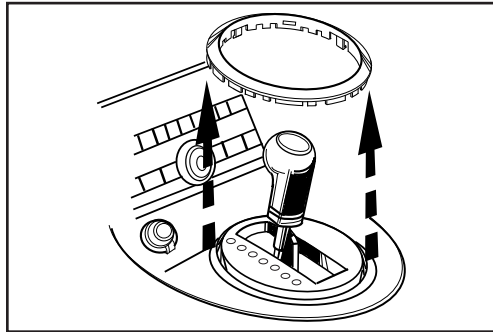
4. Unclip and remove dash trim panel.

5. Remove (4) screws securing the radio. Unplug and remove the radio.

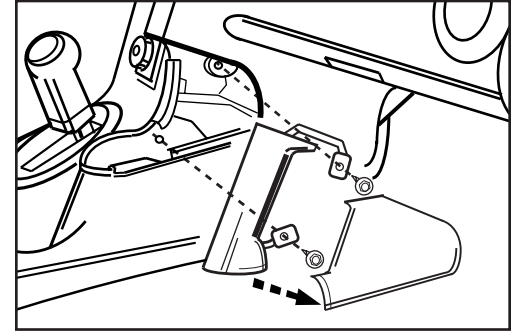
*Continue to kit assembly*



(Figure B)



(Figure C)



(Figure D)



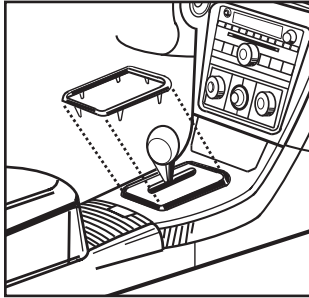


## Dash Disassembly 99-3302

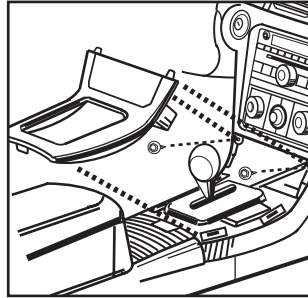
### Saturn Aura 2007-2009

1. Unclip and remove shifter trim ring. (Figure A)
2. Unclip and remove the center console trim panel, then remove (2) screws from bottom edge of dash trim panel. (Figure B)
3. Unclip and remove the key switch trim ring, then unclip and remove dash trim panel. (Figure C)
4. Remove (2) screws securing the climate controls.
5. Remove (4) screws securing the radio. Unplug and remove the radio.

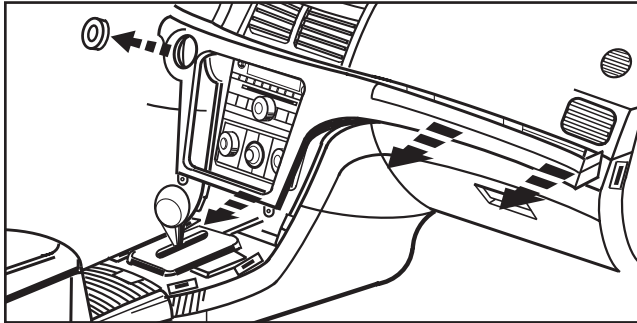
*Continue to kit assembly*



(Figure A)



(Figure B)

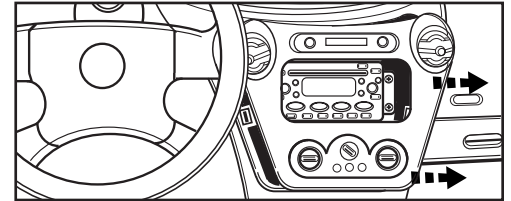


(Figure C)

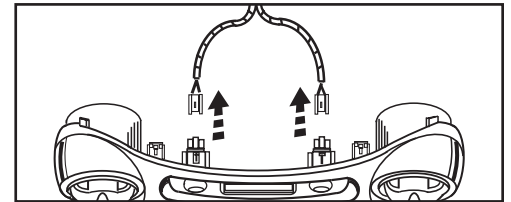
### Saturn Ion 2006-2007

1. Unclip radio trim panel. (Figure A)
2. Unplug connectors from trim panel and remove panel. (Figure B)
3. Remove (4) screws securing the radio. Unplug and remove the radio.

*Continue to kit assembly*



(Figure A)



(Figure B)

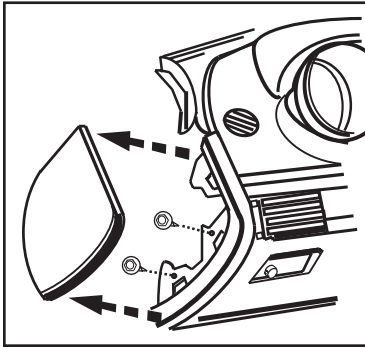


## Dash Disassembly 99-3302

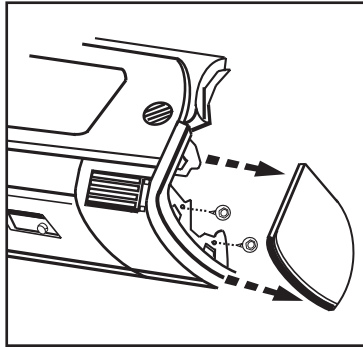
### Saturn Sky 2006-2009

1. Unclip and remove side panel from driver's side of dash with door open and remove (2) 7 mm screws. (Figure A)
2. Remove (2) 7 mm screws from bottom edge of panel below steering wheel, unclip panel and remove panel.
3. Unclip and remove side panel from passenger side of dash with door open and remove (2) 7 mm screws from behind panel. (Figure B)
4. Open the glove box and disconnect the glove box dampener from the glove box assembly. Squeeze sides together to open further. (Figure C)
5. Remove (2) bolt covers from top edge of glove box frame. (Figure C)
6. Remove (5) bolts from glove box frame and remove frame. (Figure C)
7. Unsnap and remove climate control trim panel. (Figure D)
8. Remove (1) screw from lower left corner of radio trim panel and unplug connectors to remove panel. (Figure D)
9. Remove (4) screws securing the radio. Unplug and remove the radio.

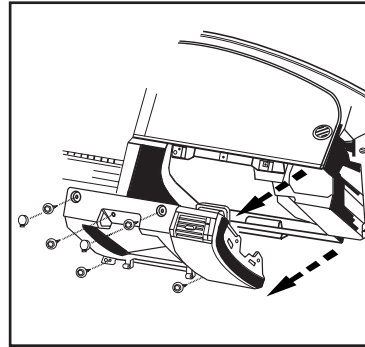
*Continue to kit assembly*



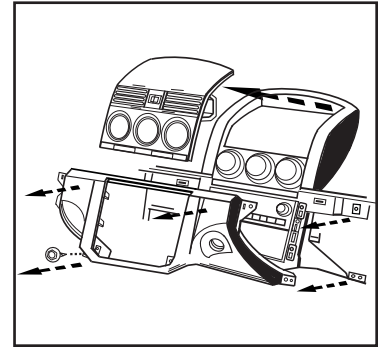
(Figure A)



(Figure B)



(Figure C)



(Figure D)

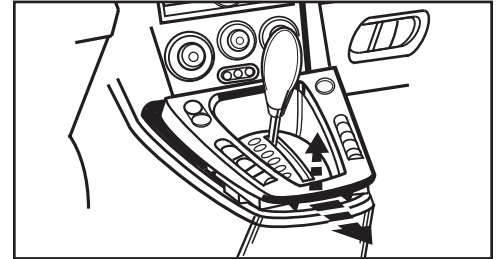


## Dash Disassembly 99-3302

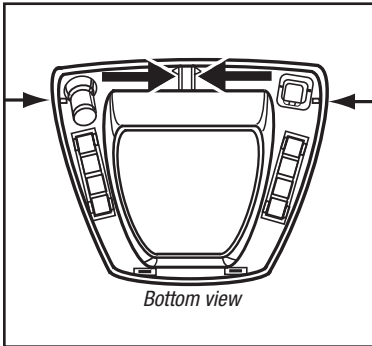
### Saturn Vue 2006-2007

1. Grasp the front edge of the shifter trim panel and pull outward and upward. (Figure A)
2. Squeeze the locking tabs located at the front edge of the shifter trim panel together to release the front edge of the panel from the center console. (Figure B)
3. Pull upward on the panel to release the remaining clips, and remove trim panel.
4. Remove (4) screws securing storage pocket and remove pocket. (Figure C)
5. Unclip and remove center dash trim panel. (Figure D)
6. Remove (4) screws securing the radio. Unplug and remove the radio.

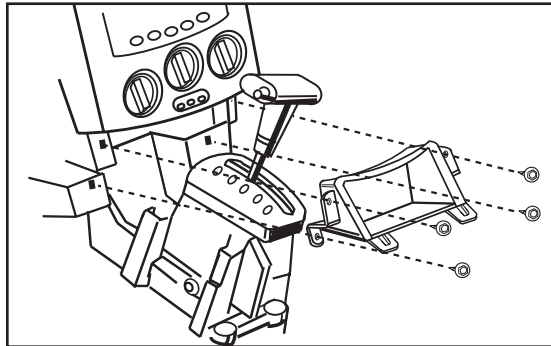
*Continue to kit assembly*



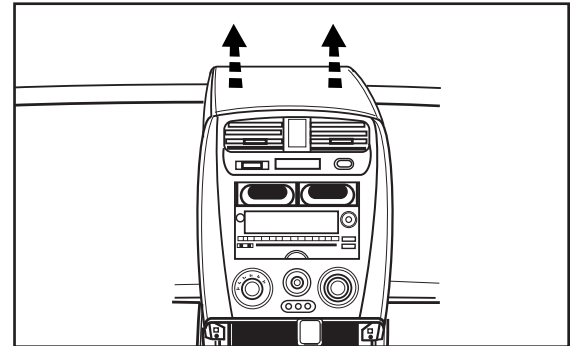
(Figure A)



(Figure B)



(Figure C)



(Figure D)



## Kit Assembly 99-3302

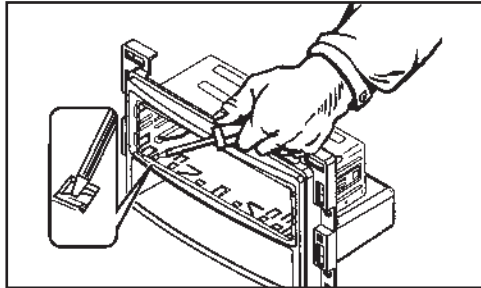
### DIN mount radio provision

*Note: Refer also to the instructions included with the aftermarket radio.*

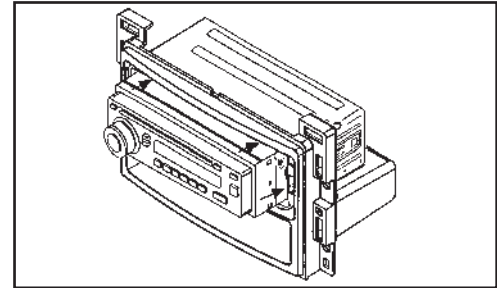
1. Slide the DIN cage into the Radio Housing and secure by bending the metal locking tabs outward. (Figure A)

*Note: The spacer included in this kit can be used between the radio housing and the DIN cage for vehicles with shallow cavities if necessary. (Figure C)*

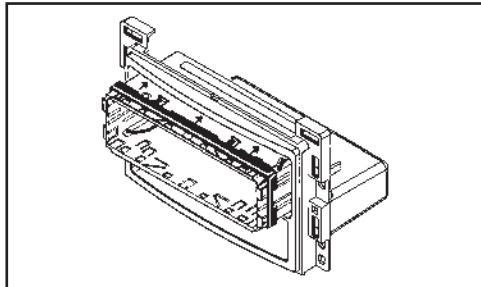
2. Slide the aftermarket radio into the cage until it snaps into place. (Figure B)
3. Locate the factory wiring harness in the dash. Metra recommends using the proper mating adapter from Metra or AXCESS. Re-connect the negative battery terminal and test the unit for proper operation.
4. **Aura, Cobalt, G5, HHR, Sky and Vue only:** Cut and remove top mounting tabs on each side of the Radio Housing. (Figure D)
5. Reassemble dash in reverse order of disassembly.



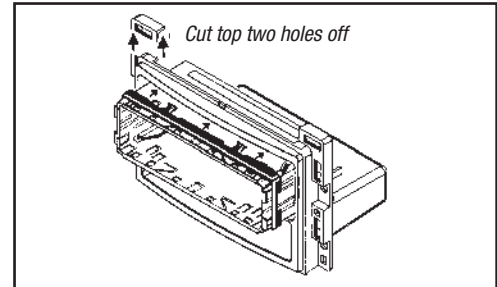
(Figure A)



(Figure B)



(Figure C)



(Figure D)

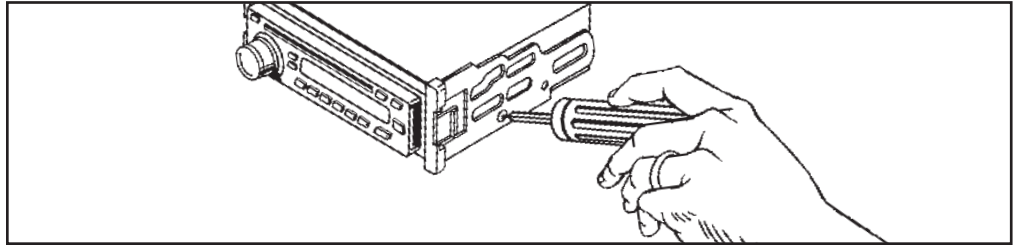


## Kit Assembly 99-3302

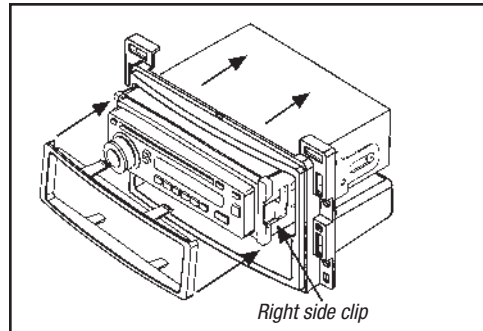
### ISO mount radio provision

*Note: Refer also to the instructions included with the aftermarket radio.*

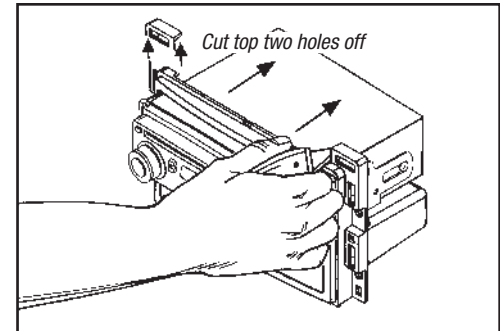
1. Mount the ISO Brackets to the radio using the screws supplied with the radio. (Figure A)
2. Slide the radio into the housing until the side clips engage. (Figure B)
3. Locate the factory wiring harness in the dash. Metra recommends using the proper mating adapter from Metra or AXCESS. Re-connect the negative battery terminal and test the unit for proper operation.
4. Snap the trim plate onto the front of the radio housing. (Figure B)
5. **Aura, Cobalt, G5, HHR, Sky and Vue only:**  
Cut and remove top mounting tabs on each side of the Radio Housing. (Figure C)
6. Reassemble dash in reverse order of disassembly.



(Figure A)



(Figure B)



(Figure C)







## INSTALLATION INSTRUCTIONS FOR PART 99-3302

REV 12/6/2012 INST99-3302



### KNOWLEDGE IS POWER

Enhance your installation and fabrication skills by enrolling in the most recognized and respected mobile electronics school in our industry. Log onto [www.installerinstitute.com](http://www.installerinstitute.com) or call 800-354-6782 for more information and take steps toward a better tomorrow.



**Metra recommends MECP  
certified technicians**





## INSTRUCCIONES DE INSTALACIÓN PARA LA PIEZA 99-3302

### APLICACIONES

Lista aplicaciones dentro de

# GM multi-kit 2004-2010 99-3302

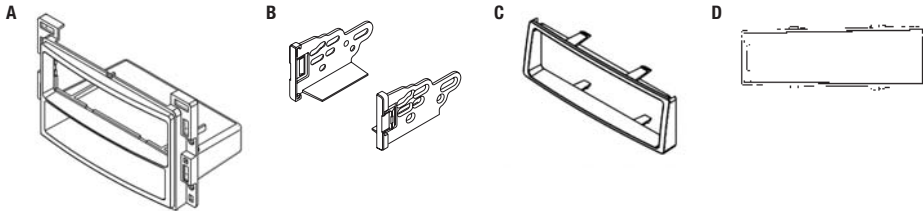
### CARACTERÍSTICAS DEL KIT

- DIN mount radio provision with pocket
- ISO mount radio provision with pocket
- *Pintado para que coincida con el tablero de fábrica*



### COMPONENTES DEL KIT

- A) Alojamiento del radio • B) Soportes ISO • C) Placa de terminación • D) Espaciador DIN



### CABLEADO Y CONEXIONES DE ANTENA

Arnés de cableado: (se venden por separado)

- Visita [www.metraonline.com](http://www.metraonline.com) para aplicaciones de interfaz específica

Adaptador de antena:

- Adaptador de antena Chrysler 40-CR10 2002 y mas
- Adaptador de antena GM 40-GM10 1988 y mas

### HERRAMIENTAS REQUERIDAS

- Destornillador plano pequeño/Herramienta de remoción de panel • Destornillador Phillips
- Toma de conjunto • Herramientas de corte

**PRECAUCIÓN:** *Metra recomienda desconectar el terminal negativo de la batería antes de comenzar cualquier instalación. Todos los accesorios, interruptores y, especialmente, las luces indicadoras de airbag deben estar enchufados antes de volver a conectar la batería a comenzar el ciclo de ignición.*

**NOTA:** *Remítase a las instrucciones incluidas con el radio de postventa.*



99-3302

## Aplicaciones

<b>Chevrolet</b>		<i>*Cobalt 2005-2006</i>
Cobalt.....	2005-2010*	<i>Para retener el sistema OnStar en su lugar utilice 99-3303.</i>
Equinox .....	2005-2006	
HHR.....	2006-2011	<i>**Malibu y G6 solamente</i>
Malibu .....	2004-2007**	<i>El Centro de información para el conductor y el radio son una unidad. Retirar el radio impedirá que el dueño del vehículo programe cualquiera de las funciones del Centro de información para el conductor. Sin embargo, una vez que se programen las funciones, el vehículo retendrá todas las configuraciones. Un kit alternativo 99-3303 incluye un Centro de información para el conductor de reemplazo con capacidades de programación.</i>
Malibu .....	2008-2012	
<b>Pontiac</b>		
G5 .....	2007-2009	
G6 .....	2005-2009**	
G6 .....	2009.5-2010	
Solstice.....	2006-2009	
Torrent.....	2006	
<b>Saturn</b>		
Aura .....	2007-2009	
Ion.....	2006-2007	<i>El modelo 99-3303 no permite instalaciones DIN dobles. Asimismo, remítase a las instrucciones incluidas con el radio de posventa.</i>
Sky.....	2006-2009	
Vue.....	2006-2007	

## Indice

### Desmontaje del tablero

- Chevrolet Cobalt 2005-2010 .....	3
- Chevrolet Equinox 2005-2006 .....	4
- Chevrolet HHR 2006-2011 .....	4
- Chevrolet Malibu 2004-2007 .....	5-6
- Chevrolet Malibu 2008-2012 .....	6-7
- Pontiac G5 2007-2009 .....	3
- Pontiac G6 2005-2009 .....	7
- Pontiac G6 2009.5-2010 .....	7
- Pontiac Solstice 2006-2009 .....	8
- Pontiac Torrent 2006 .....	4
- Saturn Aura 2007-2009.....	9
- Saturn Ion 2006-2007 .....	9
- Saturn Sky 2006-2009.....	10
- Saturn Vue 2006-2007 .....	11

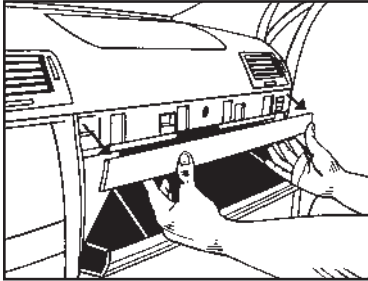
### Ensamble del kit

- Provisión de radio de montaje DIN .....	12
- Provisión de radio de montaje ISO .....	13

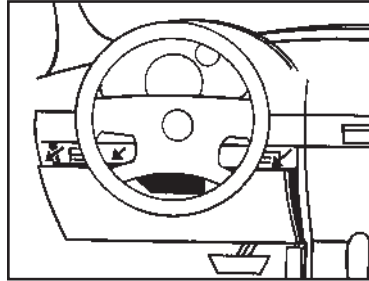


## Desmontaje del tablero 99-3302

### Chevrolet Cobalt 2005-2010 Pontiac G5 2007-2009



(Figura A)



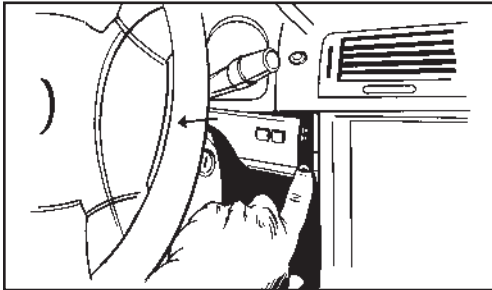
(Figura B)

1. Desenganche y retire el panel de terminación de la parte superior de la guantera. (Figura A)
2. Desenganche el borde superior del panel que se encuentra debajo de la columna de la dirección y deje que cuelgue. No es necesario retirarlo completamente. (Figura B)
3. Desenganche y retire el panel de terminación pequeño que

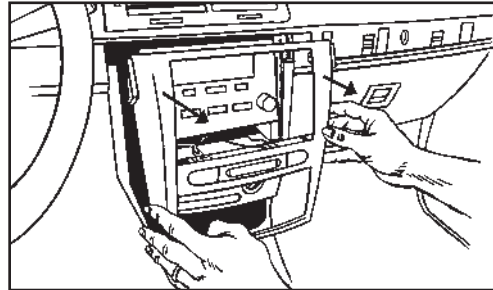
se encuentra a la derecha del interruptor de ignición. (Figura C)

4. Desenganche y retire el panel de terminación que rodea el radio y los controles de clima. (Figura D)
5. Retire (4) tornillos de 9/32" in que sujetan el radio. Desenchufe y retire el radio. (Figura E)

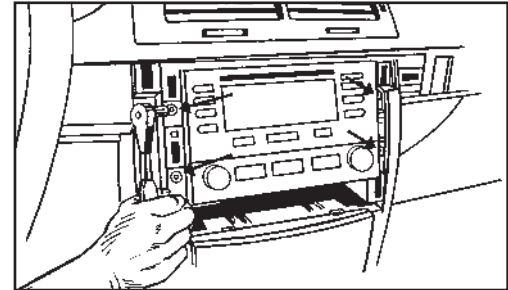
*Continuará al ensamble del kit*



(Figura C)



(Figura D)



(Figura E)



## Desmontaje del tablero 99-3302

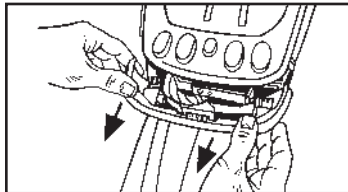
### Chevrolet Equinox 2005-2006 Pontiac Torrent 2006

1. Quite a presión el panel que se encuentra debajo del interruptor del alzacristales y retirelo. (Figura A)

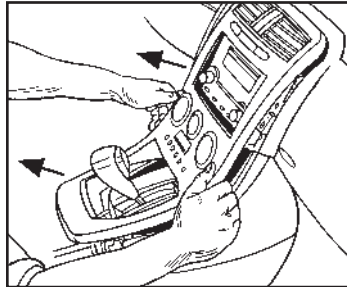
**Nota:** Esto le permite desenchufar el interruptor de las ventanas con mayor facilidad.

2. Quite a presión y retire el panel completo que rodea el radio y la palanca de velocidades. (Figura B)
3. Retire (4) tornillos de 9/32" in que sujetan el radio. Desenchufe y retire el radio. (Figura C)

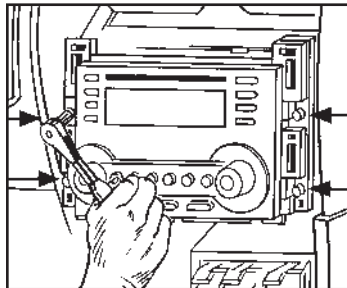
Continuará al ensamble del kit



(Figura A)



(Figura B)

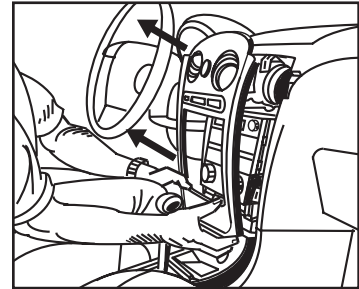


(Figura C)

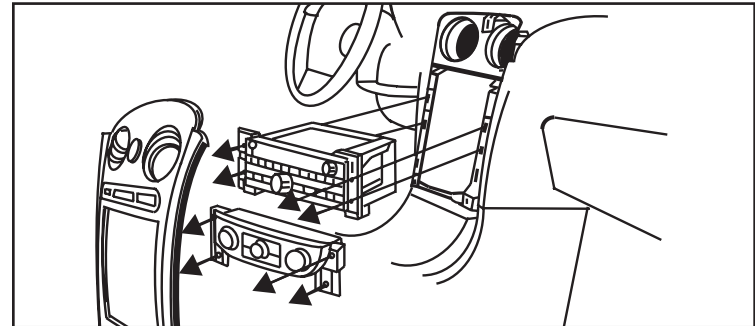
### Chevrolet HHR 2006-2011

1. Desenganche y retire todo el panel que rodea el radio y los controles del aire acondicionado, lo que incluye las rejillas de ventilación del aire acondicionado. (Figura A)
2. Retire (8) tornillos de 9/32" in que sujetan el radio y el control del aire acondicionado para retirar el radio. (Figura B)

Continuará al ensamble del kit



(Figura A)

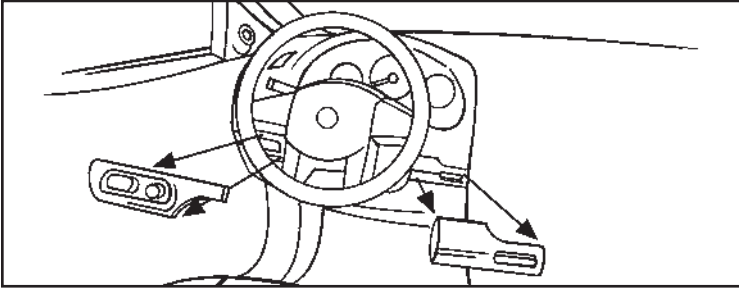


(Figura B)



## Desmontaje del tablero 99-3302

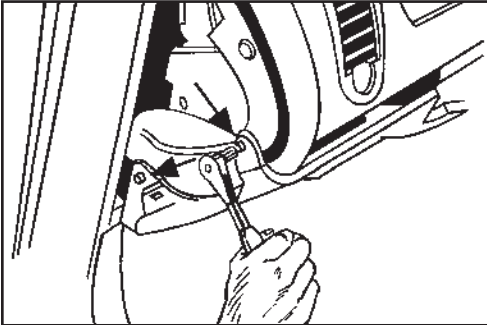
### Chevrolet Malibu 2004-2007



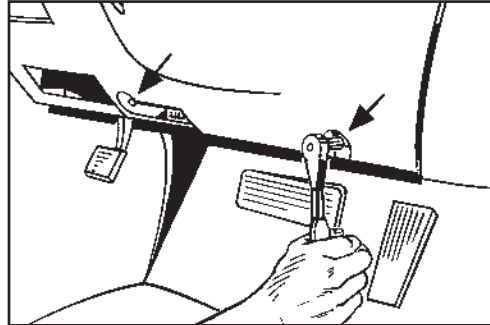
(Figura A)

1. Desenganche y retire las piezas de la terminación de madera veteada/pintada de ambos lados del volante. (Figura A)
2. Desenganche y retire el panel lateral del lado del conductor del tablero con la puerta abierta y retire (2) tornillos de 7 mm. (Figura B)
3. Retire (2) tornillos de 7 mm del borde inferior del panel que se encuentra debajo del volante, desenganche el panel y deje que cuelgue. No es necesario retirar completamente el panel. (Figura C)
4. Desenganche y retire la pieza de la terminación de madera veteada/pintada que se encuentra arriba de la guantera. (Figura D)

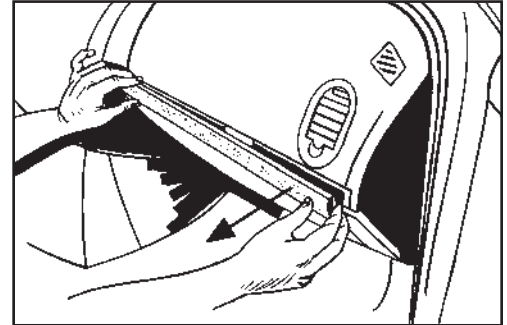
*Continúa en la página*



(Figura B)



(Figura C)

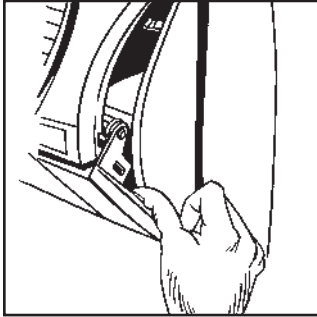


(Figura D)



## Desmontaje del tablero 99-3302

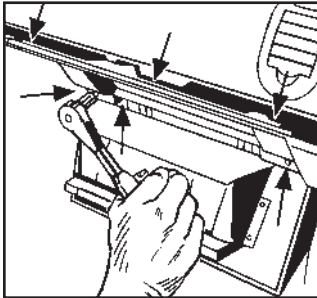
### Chevrolet Malibu 2004-2007



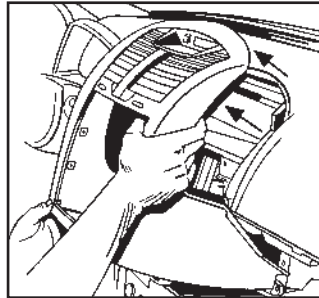
(Figura E)

5. Desenganche y retire el panel lateral del lado del pasajero del tablero con la puerta abierta y retire (2) tornillos de 7 mm de la parte trasera del panel. (Figura E)
6. Retire (2) tornillos de 7 mm de la parte inferior de la guantera; luego, abra la guantera y apriete los lados para continuar abriendo y retire los (4) tornillos de 7 mm restantes. Desenganche la cubierta de la rejilla de ventilación negra que se encuentra debajo de la guantera; luego, desenganche y retire todo el conjunto de la guantera. (Figura F)
7. Desenganche y retire el panel de terminación que rodea el radio y los controles de clima. (Figura G)
8. Retire (4) tornillos de 7 mm que sujetan el radio y (2) tornillos de 7 mm que sujetan el control de clima. Desenchufe y retire el radio. (Figura H)

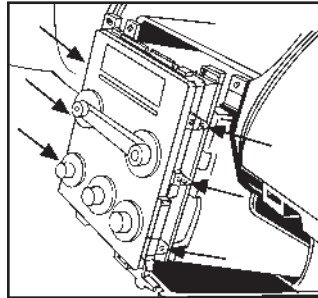
*Continuará al ensamble del kit*



(Figura F)



(Figura G)



(Figura H)

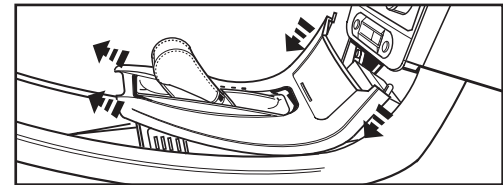
### Chevrolet Malibu 2008-2012

1. Quite a presión y retire la terminación de la palanca de velocidades. (Figura A)

**Nota:** Comience alrededor de la palanca de velocidades y asegúrese de jalar hacia abajo antes de jalar hacia atrás porque este panel se desliza hacia arriba debajo de los paneles del radio y de clima.

2. Retire (2) tornillos de 8 mm de la parte inferior del panel del radio/clima.
3. Quite a presión y retire el panel de clima/del radio y el panel de terminación de la rejilla de ventilación superior juntos. Se los puede separar después de haberlos retirado. (Figuras B, C)
4. Retire (6) tornillos de 8 mm del radio y de los controles de clima.

*Continuará al ensamble del kit*

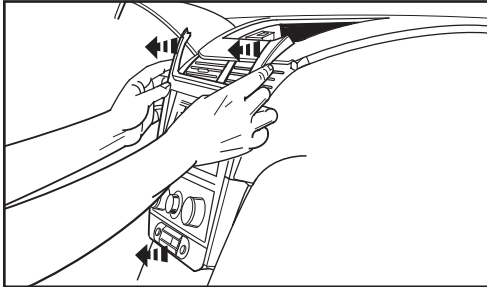


(Figura A)

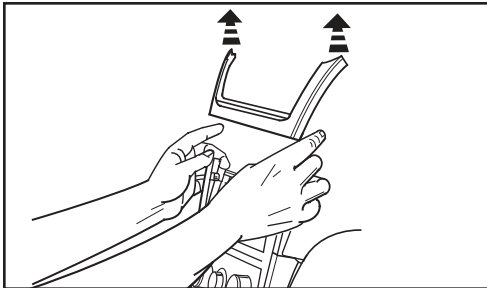


## Desmontaje del tablero 99-3302

### Chevrolet Malibu 2008-2012



(Figura B)

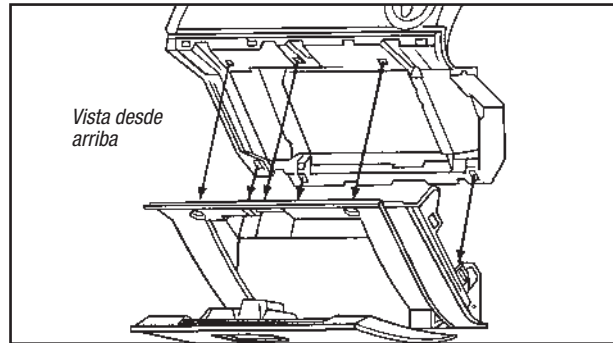


(Figura C)

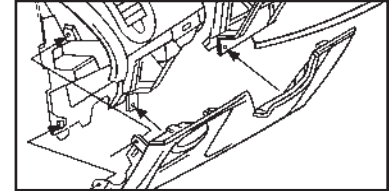
### Pontiac G6 2005-2009/G6 2009.5-2010

1. Abra la guantera y retire (6) tornillos del borde externo; luego, desenganche y retire la guantera. (Figura A)
2. Retire (4) tornillos del panel que se encuentra debajo de la columna de la dirección. Desenganche y retire el panel. (Figura B)
3. Desenganche y retire el panel central que rodea el radio y los controles del aire acondicionado. (Figura C)
4. Retire (4) tornillos que sujetan el radio. Desenchufe y retire el radio. (Figura D)

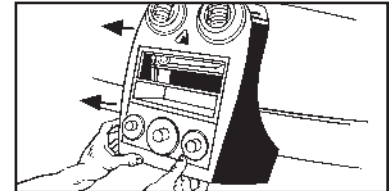
*Continuará al ensamble del kit*



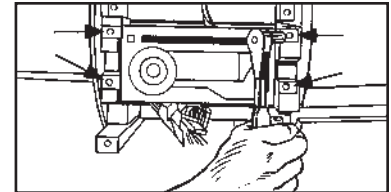
(Figura A)



(Figura B)



(Figura C)

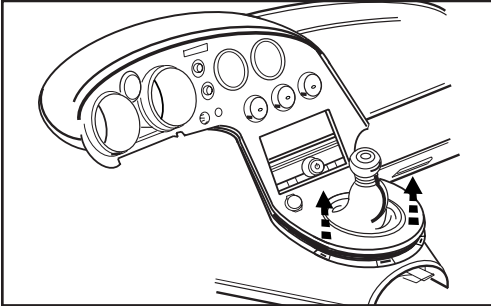


(Figura D)



## Desmontaje del tablero 99-3302

### Pontiac Solstice 2006-2009



(Figura A)

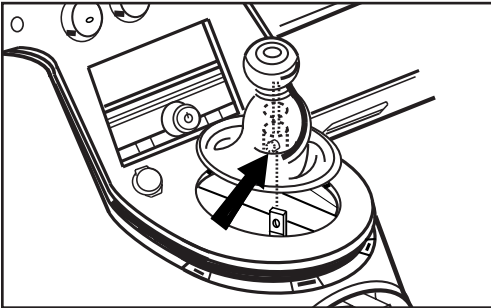
#### 1. Transmisión manual

(a) Levante el borde inferior de la placa de terminación del grupo del panel de instrumentos lo suficiente como para llegar a la parte de abajo y suelte las lengüetas de retención del anillo de terminación de la cubierta de protección de la palanca de velocidades. (Figura A)

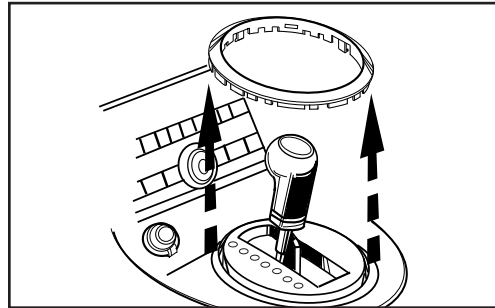
(b) Levante la cubierta de protección de la palanca de velocidades y afloje el tornillo de tope para liberar la palanca de velocidades. (Figura B)

#### Transmisión automática

(a) Desenganche y retire el anillo de terminación de



(Figura B)



(Figura C)

la palanca de velocidades. (Figura C)

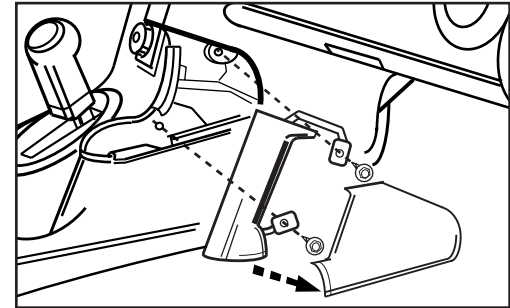
2. Desenganche y retire el panel de terminación de la manivela de asistencia del pasajero. (Figura D)

3. Remove (2) Retire (2) pernos que sujetan la manivela de asistencia del pasajero y retire la manivela. (Figura D)

4. Desenganche y retire el panel de terminación del tablero.

5. Retire (4) tornillos que sujetan el radio. Desenchufe y retire el radio.

*Continuará al ensamble del kit*



(Figura D)



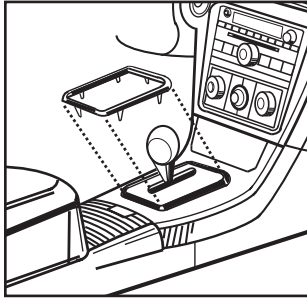


## Desmontaje del tablero 99-3302

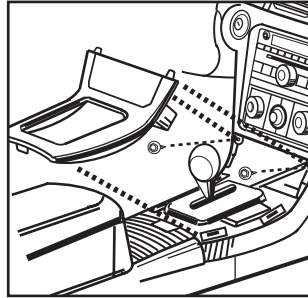
### Saturn Aura 2007-2009

1. Desenganche y retire el anillo de terminación de la palanca de velocidades. (Figura A)
2. Desenganche y retire el panel de terminación de la consola central; luego, retire (2) tornillos del borde inferior del panel de terminación del tablero. (Figura B)
3. Desenganche y retire el anillo de terminación del interruptor de llave; luego, desenganche y retire el panel de terminación del tablero. (Figura C)
4. Retire (2) tornillos que sujeten los controles de clima.
5. Retire (4) tornillos que sujetan el radio. Desenchufe y retire el radio.

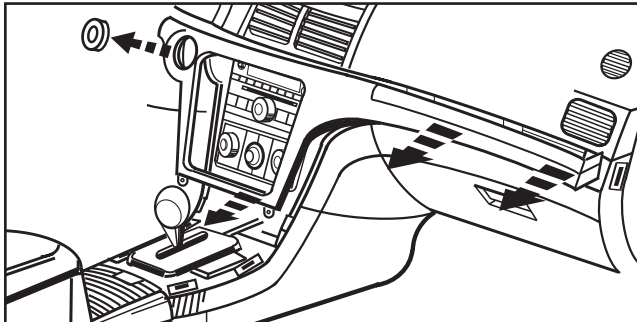
*Continuará al ensamble del kit*



(Figura A)



(Figura B)

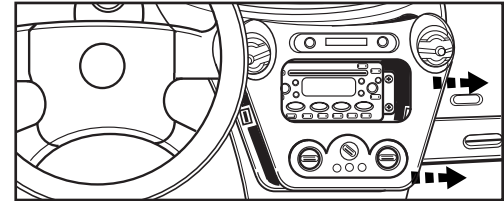


(Figura C)

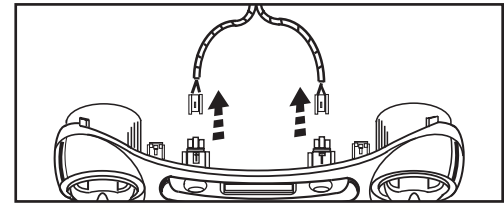
### Saturn Ion 2006-2007

1. Desenganche el panel de terminación del radio. (Figura A)
2. Desenchufe los conectores del panel de terminación y retire el panel. (Figura B)
3. Retire (4) tornillos que sujetan el radio. Desenchufe y retire el radio.

*Continuará al ensamble del kit*



(Figura A)



(Figura B)

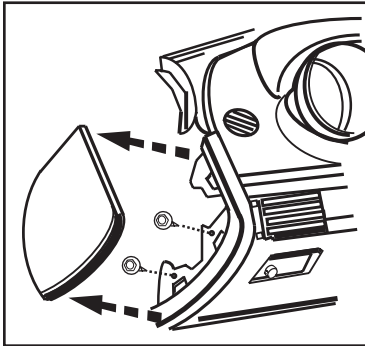


## Desmontaje del tablero 99-3302

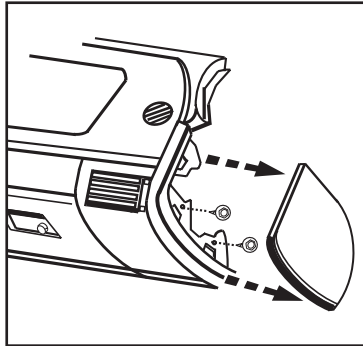
### Saturn Sky 2006-2009

1. Desenganche y retire el panel lateral del lado del conductor del tablero con la puerta abierta y retire (2) tornillos de 7 mm. (Figura A)
2. Retire (2) tornillos de 7 mm del borde inferior del panel que se encuentra debajo del volante, desenganche el panel y retire el panel.
3. Desenganche y retire el panel lateral del lado del pasajero del tablero con la puerta abierta y retire (2) tornillos de 7 mm de la parte trasera del panel. (Figura B)
4. Abra la guantera y desconecte el amortiguador de la guantera del conjunto de la guantera. Apriete los lados para continuar abriendo. (Figura C)
5. Retire (2) cubiertas de pernos del borde superior del marco de la guantera. (Figura C)
6. Retire (5) pernos del marco de la guantera y retire el marco. (Figura C)
7. Quite a presión y retire el panel de terminación de control de clima. (Figura D)
8. Retire (1) tornillo de la esquina inferior izquierda del panel de terminación del radio y desenchufe los conectores para retirar el panel. (Figura D)
9. Retire (4) tornillos que sujetan el radio. Desenchufe y retire el radio.

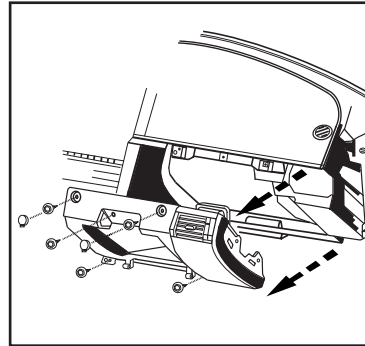
*Continuará al ensamble del kit*



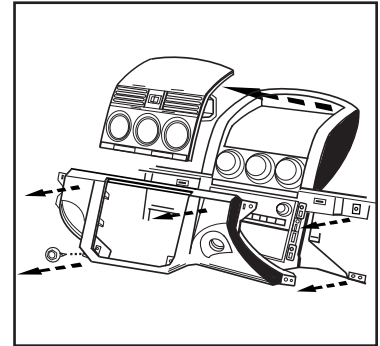
(Figura A)



(Figura B)



(Figura C)



(Figura D)



## Desmontaje del tablero 99-3302

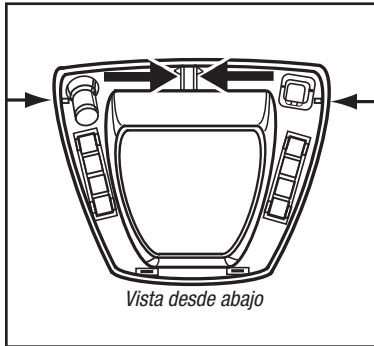
### Saturn Vue 2006-2007

1. Sujete el borde delantero del panel de terminación de la palanca de velocidades y jale hacia afuera y hacia arriba. (Figura A)
2. Apriete las lengüetas de cierre ubicadas en el borde delantero del panel de terminación de la palanca de velocidades para liberar el borde delantero del panel de la consola central. (Figura B)
3. Jale hacia arriba del panel para liberar los ganchos restantes y retire el panel de terminación.
4. Retire (4) tornillos que sujetan el bolsillo de almacenamiento y retire el bolsillo. (Figura C)
5. Desenganche y retire el panel de terminación del tablero central. (Figura D)
6. Retire (4) tornillos que sujetan el radio. Desenchufe y retire el radio.

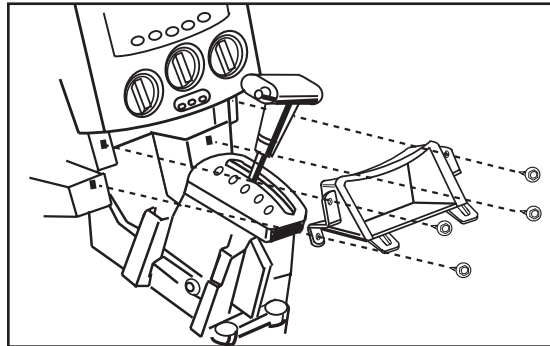
*Continuará al ensamble del kit*



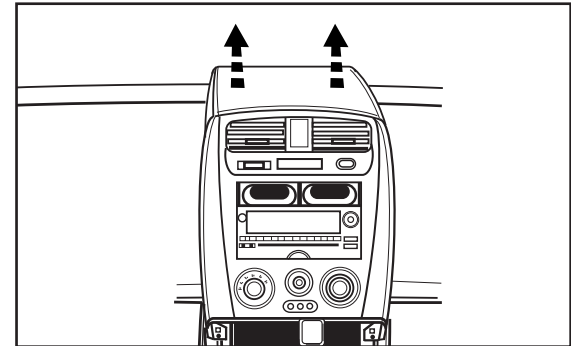
(Figura A)



(Figura B)



(Figura C)



(Figura D)



## Ensamble del kit 99-3302

### Provisión de radio de montaje DIN

*Nota: Asimismo, remítase a las instrucciones incluidas con el radio de posventa.*

1. Deslice la caja DIN en el alojamiento del radio y sujétela doblando las lengüetas de cierre de metal hacia afuera. (Figura A)

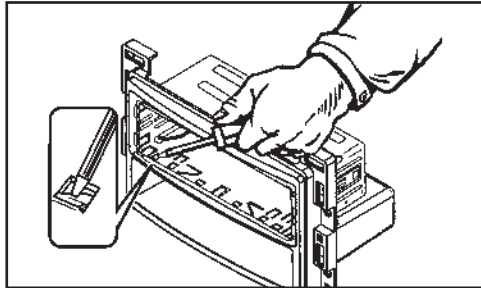
*Nota: El espaciador incluido en este kit puede utilizarse entre el alojamiento del radio y la caja DIN para vehículos con huecos superficiales, si es necesario. (Figura C)*

2. Deslice el radio de posventa en la caja hasta que calce a presión en su lugar. (Figura B)

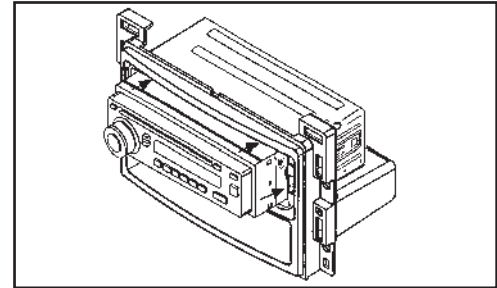
3. Ubique el arnés del cableado de fábrica en el tablero. Metra recomienda usar el adaptador de acoplamiento adecuado de Metra o AXCESS. Vuelva a conectar el terminal negativo de la batería y pruebe la unidad para verificar que funcione correctamente.

4. **Aura, Cobalt, G5, HHR, Sky y Vue solamente:** Corte y retire las lengüetas de montaje que se encuentran en la parte superior de cada lado del alojamiento del radio. (Figura D)

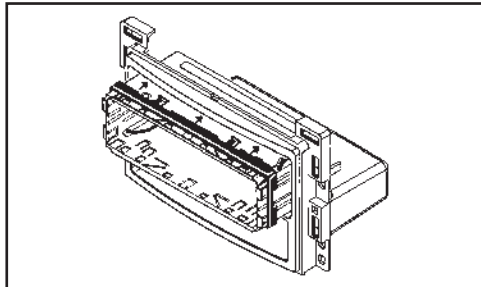
5. Armar el tablero en orden inverso al de desmontaje.



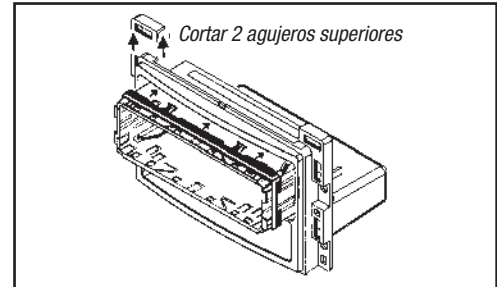
(Figura A)



(Figura B)



(Figura C)



(Figura D)

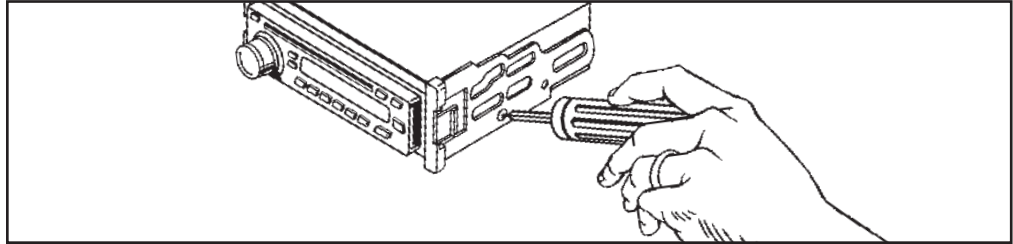


## Ensamble del kit 99-3302

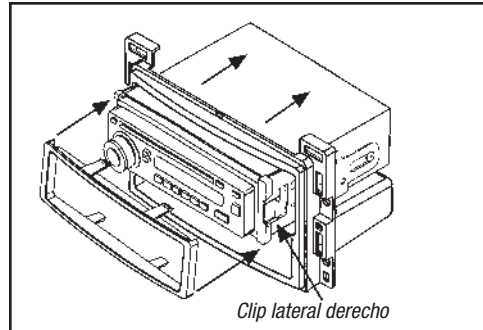
### Provisión de radio de montaje ISO

*Nota: Asimismo, remítase a las instrucciones incluidas con el radio de posventa.*

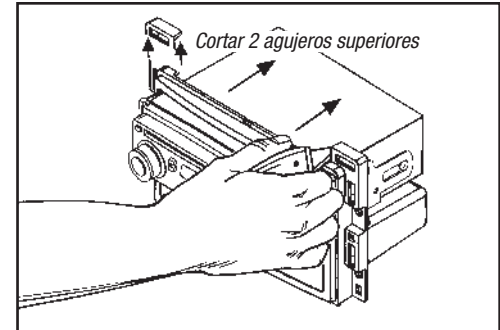
1. Monte los soportes ISO en el radio utilizando los tornillos suministrados con el radio. (Figura A)
2. Deslice el radio en el alojamiento hasta que los ganchos laterales enganchen. (Figura B)
3. Ubique el arnés del cableado de fábrica en el tablero. Metra recomienda usar el adaptador de acoplamiento adecuado de Metra o AXXESS. Vuelva a conectar el terminal negativo de la batería y pruebe la unidad para verificar que funcione correctamente.
4. Coloque a presión la placa de terminación en la parte delantera del alojamiento del radio. (Figura B)
5. **Aura, Cobalt, G5, HHR, Sky y Vue solamente:** Corte y retire las lengüetas de montaje que se encuentran en la parte superior de cada lado del alojamiento del radio. (Figura C)
6. Armar el tablero en orden inverso al de desmontaje.



(Figura A)



(Figura B)



(Figura C)







## INSTRUCCIONES DE INSTALACIÓN PARA LA PIEZA 99-3302

REV. 12/6/2012 INST99-3302



**EL CONOCIMIENTO ES PODER**  
Mejore sus habilidades de instalación y fabricación inscribiéndose en la escuela de dispositivos electrónicos móviles más reconocida y respetada de nuestra industria. Regístrese en [www.installerinstitute.com](http://www.installerinstitute.com) o llame al 800-354-6782 para obtener más información y avance hacia un futuro mejor.



**Metra recomienda técnicos con certificación del Programa de Certificación en Electrónica Móvil (Mobile Electronics Certification Program, MECP).**