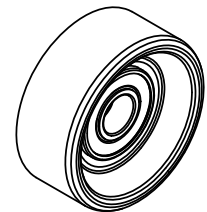
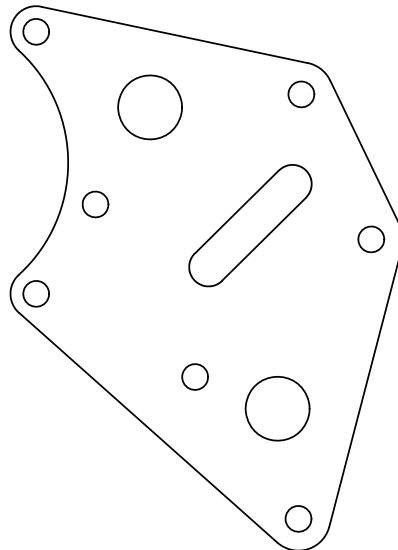
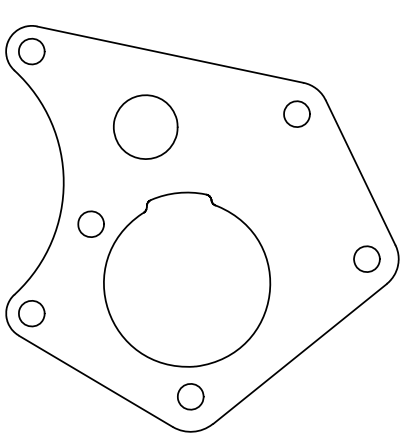


QTY.	SPACERS
1	1" x 1.850 Stepped Idler Spacer
1	1" x 1.900" Spacer
3	3/4" x 1.900" Spacer
2	3/4" x .875" Spacer

QTY.	BOLTS
1	10MM X 140MM SHA
2	10MM X 100MM SHA
1	10MM x 80MM SHA
2	10MM x 55MM SHA
2	10MM x 35MM SHA
1	10MM X 25MM SHA
6	10MM Nylon Insert Lock Nuts
1	10MM x 1" x .125" Washer (black oxide)

QTY.	PARTS
1	Front A/C Bracket
1	Rear A/C Bracket
1	A/C Idler Pulley



Tool/Supplies List

Loctite Threadlocker Blue 242
17mm socket/wrench
#8 Metric bit Socket / Allen Wrench

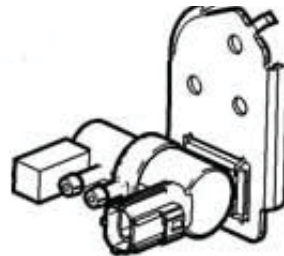
Installation Notes:

- Do not torque bolts until all parts are installed
- Water pump will need to be removed to gain access to the lower bracket bolt
- We recommend Applying blue 242 Loctite to any bolts threaded directly into the aluminum cylinder head, it is not needed on any bolts secured with a lock nut

ZL1/LSA Notes:

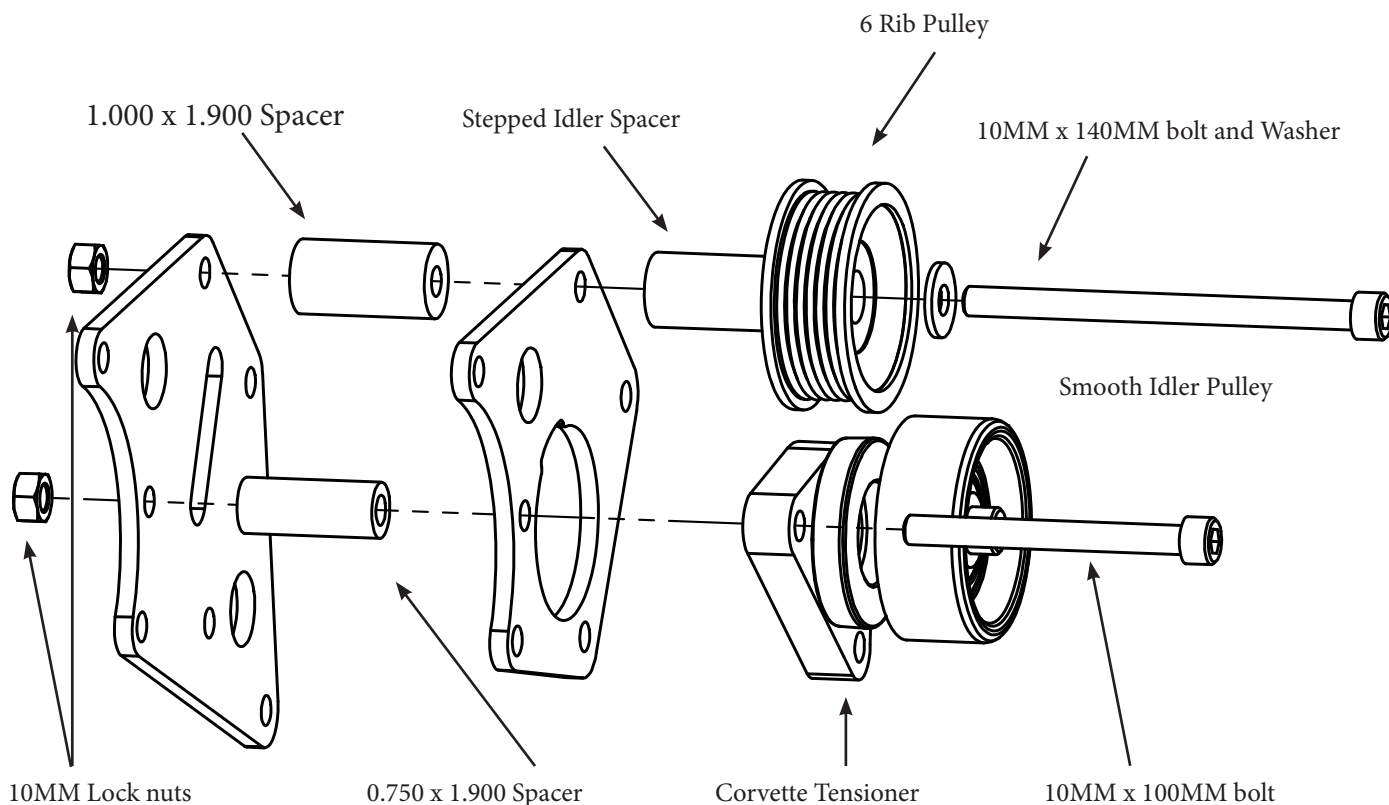
If this is a LSA/LZ1 Engine, please carefully unhook and remove the bypass solenoid and bracket as seen in the diagram to the right. the stock location interferes with the A/C idler pulley location. we recommend taking pictures and noting the original hose routing for relocation.

*See our LSA / ZL1 Supercharger Accessory Drive kit instructions for alternate mounting locations

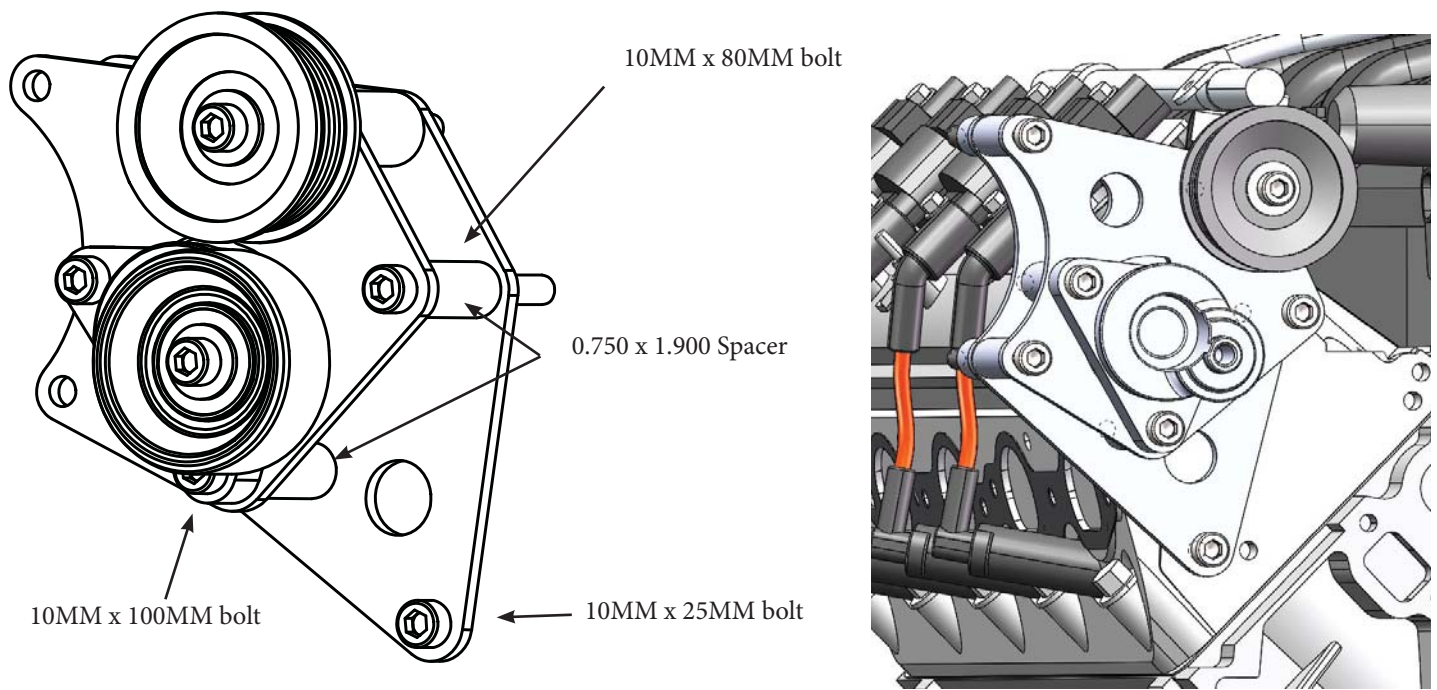


1: Remove the 6 rib pulley from the Corvette belt tensioner

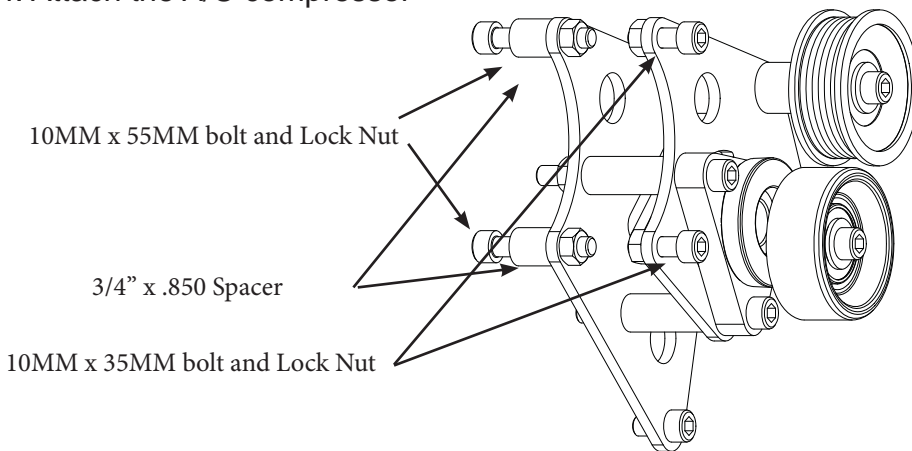
2: bench assemble the front and rear bracket as shown, leave bolts loose



3: Attach the bracket assembly to the passenger side cylinder head



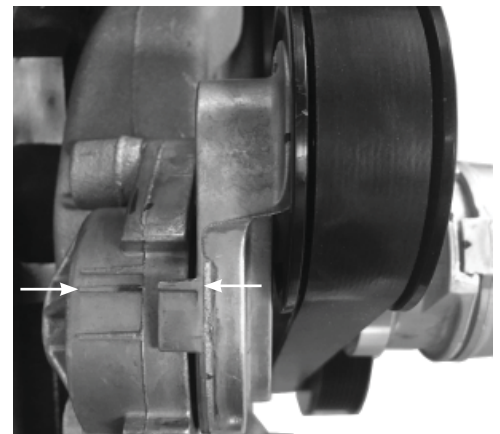
4: Attach the A/C compressor



5: Torque all 10mm bolts to 25ft-lbs (34 N-m)

6: Install Serpentine Belt

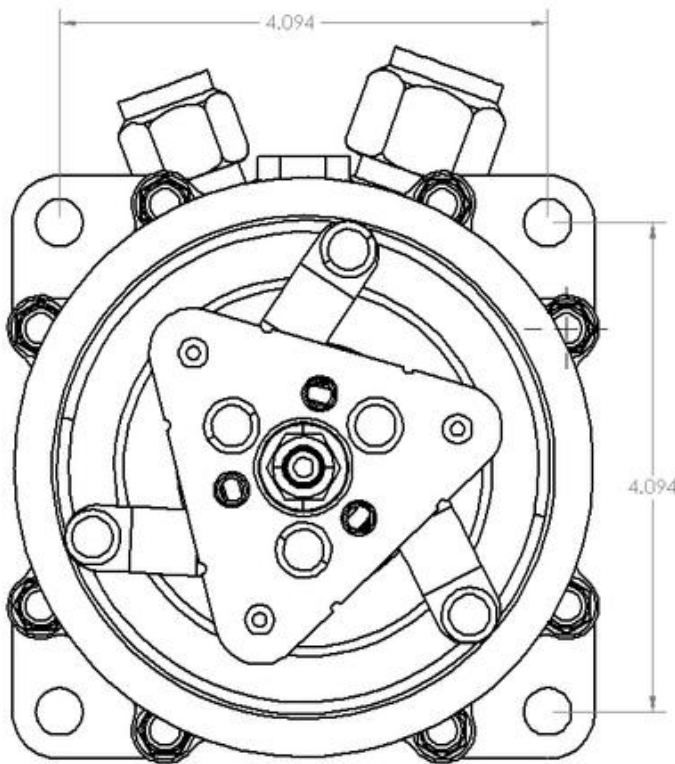
Due to variations beyond our control some applications may require a shorter or longer belt. use a belt length that will put the belt tensioner indicator in the mid travel position as shown in the picture to the left.



A/C Compressors Compatibility

Q: What A/C Compressors are compatible with the LSX Concepts High Mount A/C bracket?

A: The LSX Concepts A/C bracket is designed to fit the aftermarket Sanden compressor's commonly used by Vintage Air and other aftermarket a/c system manufacturers using what is commonly referred to as the "8 Ear Long Flange" (square 4 bolt flange) as seen in the picture below



Partial List of Compatible A/C Compressor Part Numbers:

Sanden 4514 (SD508 series), 4522 (SD508 series), 4665 (SD7 series), or 9537 (508 series),
047002-MUR (SD508 Series), 047007 (SD709 series)