

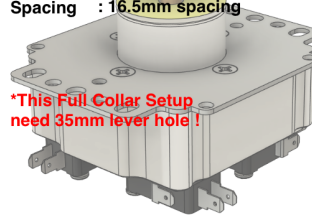
This lever setup inspired us to do golden project **LEGEND NEVER DIE** born and tempered from legendary arcade center now revived improved just for you



ASINDO.PRO

FULL COLLAR SETUP

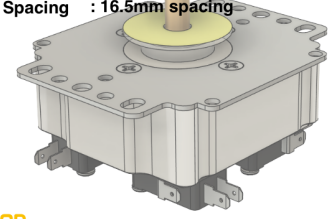
- Handle : GL Battop Solid
- Shaft : 7mm ALU
- Restrictor : Circular Full Collar
- Core : White GL Core
- Spring : Normal 0.8mm
- Tension : Yellow Silicone
- Body : White Fanta Base
- Bushing : 14.5mm Gold Bushing
- Actuator : 16mm Golden Bearing
- Switch : Omron V152 1A6
- Spacing : 16.5mm spacing



*This Full Collar Setup need 35mm lever hole!

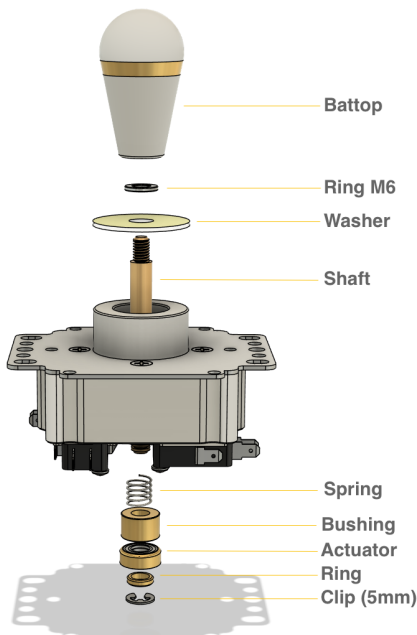
LOW COLLAR SETUP

- Handle : GL Battop Solid
- Shaft : 8mm ALU
- Restrictor : Circular Short Collar
- Core : White GL Core
- Spring : Normal 0.8mm
- Tension : Yellow Silicone
- Body : White Fanta Base
- Bushing : 14.5mm Gold Bushing
- Actuator : 16mm Golden Bearing
- Switch : Omron V152 1A6
- Spacing : 16.5mm spacing

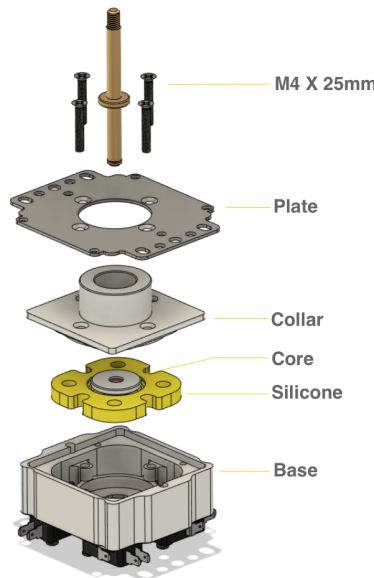


Low Tension
Extra Long Throw
Medium Sensitivity

This combination is excellence for "not riding the collar" playstyle, user can focus on hitting the switches and hit restrictor only when they need to.



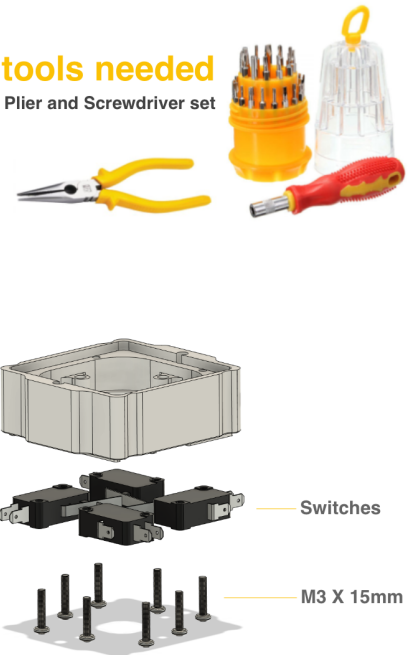
Step 1
remove Clip, Handle, and Actuator parts



Step 2
remove Shaft and 4 Screws

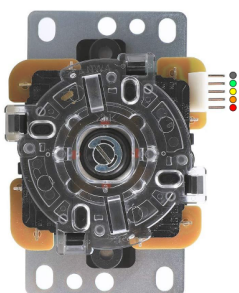
tools needed

Plier and Screwdriver set

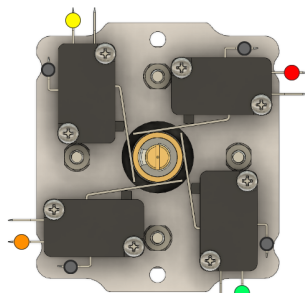


Step 3
remove 8 screws, Nuts, and 4 Switches

WIRING GUIDE



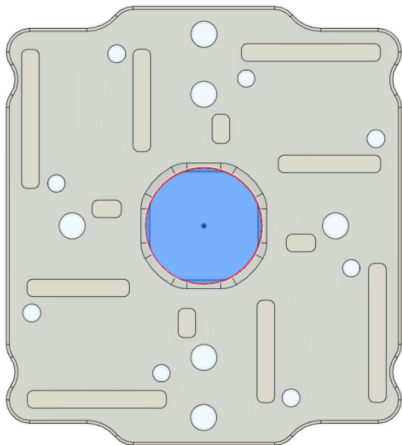
Connector on the Right
follow the color when connecting conversion cable



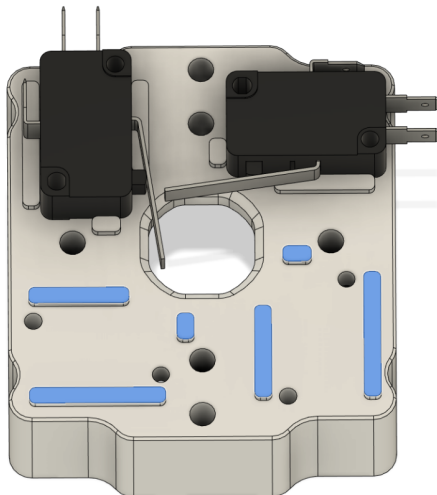
Connector on the Left
follow the color when connecting conversion cable

BLAST FROM THE PAST

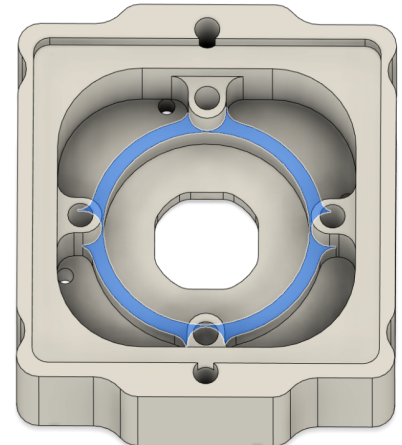
Based on Fanta design.
Improved for better performance.
Compatible with most of Golden Lever parts.



"Square cut" base hole
Reduced throw on cardinal direction and creating corners for easier diagonals.

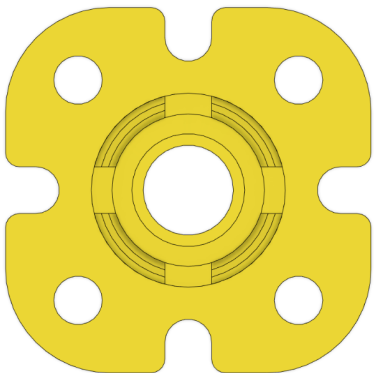


Fixed 16.5mm spacing
Easy installation with build-in tabs guiding and secured all the switches.



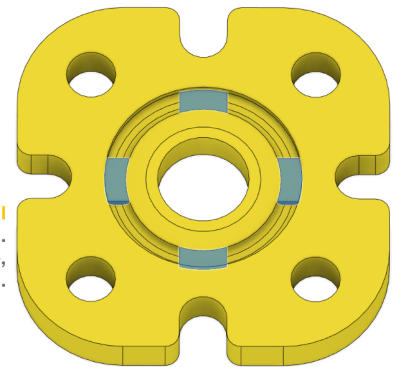
Thin and wide silicone support
Contact surface to silicone is minimal, makes the silicone can flex freely.

DUAL TENSION



Game Changer Design
When searching the right tension we found something that never done before and imposible for sping based lever. Cardinal only hit one switch, diagonal two switches, this silicone design will help to compensate it.

Faster Cardinal, Easier Diagonal
Having tabs with thick material will add more tension. Combined with the reduced cardinal throw on Fanta Base, users will feels significant improvement on related executions.



INFAMOUS GREEN LEVER KNOCK

Green Lever known for the "knock" feeling that makes it unique from others, and we want to keep the tradition. The 14.5mm Bushing will "knock" the Base hole first at cardinals direction (1), then when user push extra the shaft will hit the collar for the second stop (2).

We understand that not everyone like this knock!
To remove the "Knock" feeling you can swap the Bushing to 13.5mm size. This will makes the Bushing hits the Base (1) not sooner than the Shaft hits the Collar (2).

