

the
best lever
is lever that
is configured to
your preferences

GOLDENLEVER

welcome to lever
tuning & moding
try millions of
combination
find your
perfect
setup



ASINDO.PRO

KOREA SETUP

Handle : GL Battoop Hollow
Shaft : 9mm ALU
Restrictor : Circular Low Collar *
Core : White GL Core
Spring : Normal Tension
Tension : Blue 50A Silicone
Body : GL White Base
Bushing : 14.5mm Bushing-Ring
Actuator : 16mm Black Bearing
Switch : Omron V152 1A6
Spacing : 15.5mm spacing

*Full Korea Setup use Full Collar,
need 35mm lever hole

HYBRID SETUP

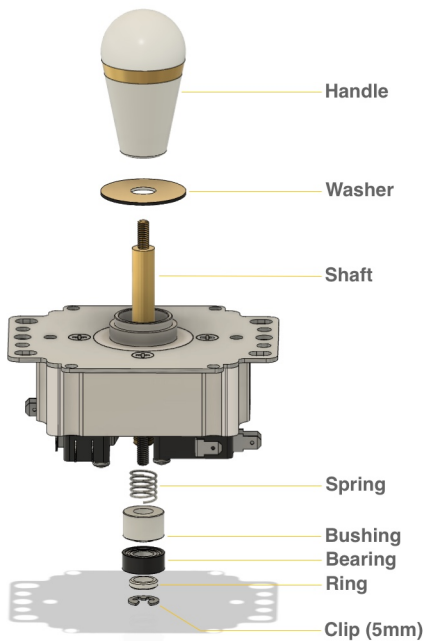
Handle : GL Captop
Shaft : 10mm ALU
Restrictor : Squirle Low Collar
Core : White GL Core
Spring : Normal Tension
Tension : Turquoise 45A Silicone
Body : GL White Base
Bushing : 15.5mm Bushing-Ring
Actuator : 16mm Black Bearing
Switch : Omron V152 1A5
Spacing : 15.5mm spacing

OCTA SETUP

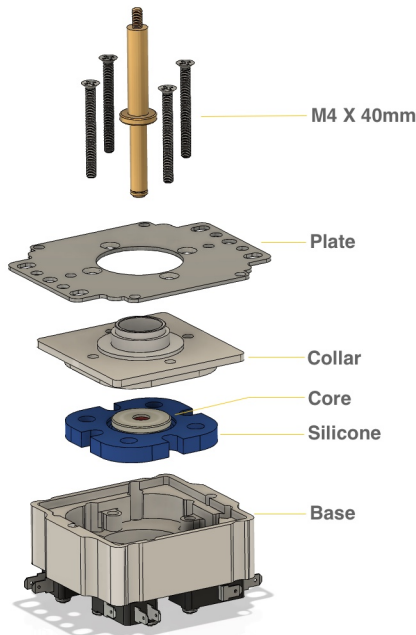
Handle : GL Bulltop
Shaft : 11mm ALU
Restrictor : Octagonal Low Collar
Core : White GL Core
Spring : Normal Tension
Tension : Green 40A Silicone
Body : GL White Base
Bushing : 16.5 Bushing-Ring
Actuator : 16.5mm Black Bearing
Switch : Omron V152 1A5
Spacing : 15.5mm spacing

JAPAN SETUP

Handle : GL Balltop Hollow
Shaft : 12mm ALU
Restrictor : Square Low Collar
Core : White GL Core
Spring : Normal Tension
Tension : Clear 30A Silicone
Body : GL White Base
Bushing : 17mm Bushing-Ring
Actuator : 16.5mm Black Bearing
Switch : Omron V152 1A5
Spacing : 15.5mm spacing



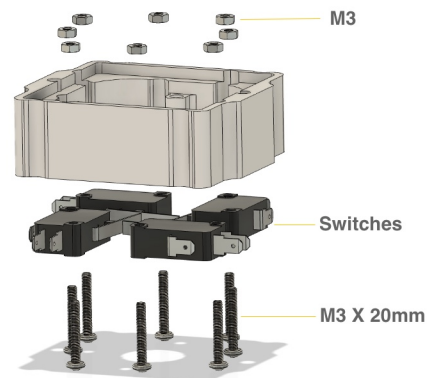
Step 1
remove Clip, Handle,
and Actuator parts



Step 2
remove Shaft
and 4 Screws

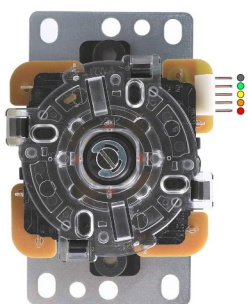
tools needed

Plier and Screwdriver set

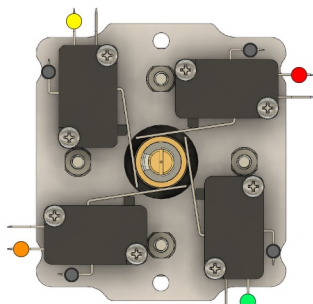


Step 3
remove 8 screws,
Nuts, and 4 Switches

WIRING GUIDE

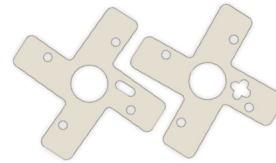
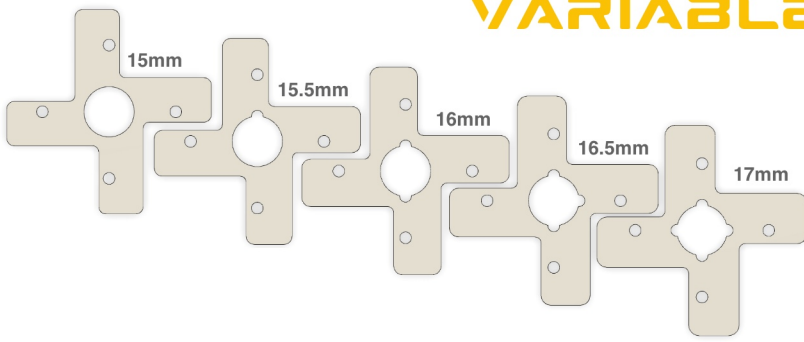


Connector on the Right
follow the color when connecting conversion cable



Connector on the Left
follow the color when connecting conversion cable

VARIABLE SWITCH SPACING



- Spacing
tilt the switch
away from actuator
less sensitive

+ Spacing
tilt the switch
closer to actuator
more sensitive

Tilt Spacing is Unique
Please try different Actuator Size
to adjust sensitivity and choose
the one you like
bigger actuator = more sensitive
smaller actuator = less sensitive

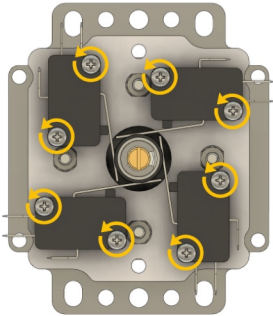
**Switch Spacing
is advance tuning**
please learn about it first
and be ready to spend times
when doing the switch tuning

Bigger Spacing = Less Sensitive Inputs
Smaller Spacing = More Sensitive Inputs

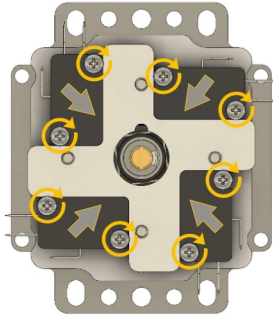
Recommended Switch Spacing
Switch Spacing = Actuator Size + - 0.5mm
example : 16mm Actuator
spacing 16.5mm = low sensitivity
spacing 16mm = normal sensitivity
spacing 15.5mm = high sensitivity

tips :
Sensitive setup is easier to hit diagonals

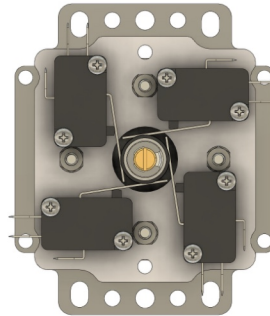
Caution :
Don't set Spacing less than -1mm Actuator size,
it might bend and damage the switches permanently
example : 16.5mm actuator = spacing 16mm **good**
spacing 15.5mm **ok**
spacing 15mm **bad**



Step 1
Loose all the screws by
turning 180'-360' to the left

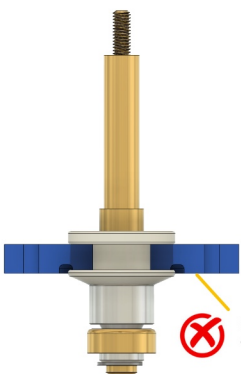


Step 2
Put the Spacer. push the switch
to the center when tightening the screw
one by one

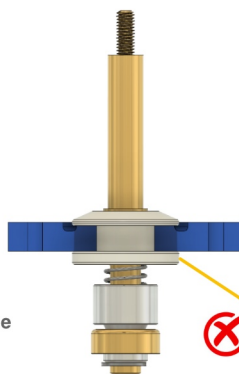


Step 3
Remove the Spacer,
Finish

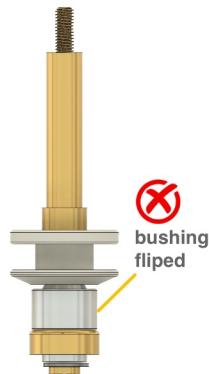
INSTALLATION MISTAKES



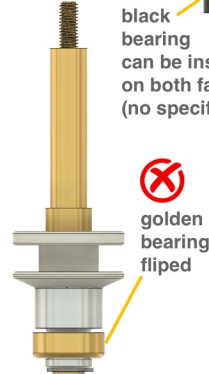
**silicone
fliped**



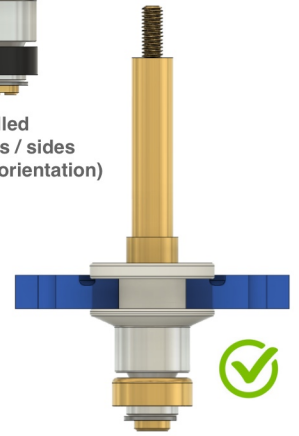
**core
fliped**



**bushing
fliped**



**golden
bearing
fliped**



**black
bearing
can be installed
on both faces / sides
(no specific orientation)**



GL handle
Choose different handle shape that suit your
gripping style
Ball top, Bat top, Bull top, Bean top, Capsule top.

Hollow handles are lightweight.



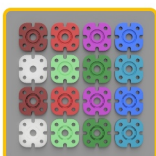
Silver and Golden Shaft
Bigger = Shorter throw
Smaller = Longer throw

ALU Shaft are light
Silver Shaft are strong



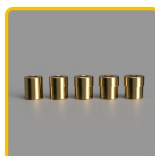
White and Black Core
White = Zero neutral tension
Black = Add neutral tension

Spring
Medium = Medium spin
Hard = Less spin



Silicones
Higher Hardness = More Tension
Clear 30, Light Green 35, Green 40, Turquoise 45,
Blue 50, Purple 55, Red 60, Dark Red 65

Dual Tension X design have less tension on diagonals



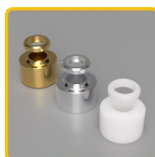
Generic Actuator
Bigger Size = More Sensitive

Weight
Gold = Heavy
White = Light



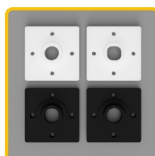
Bearing Actuator
Bigger Size = More Sensitive

Bearing actuator need
bushing-ring to install



Bushing and Ring
adjust the weight of bearing actuator
Plastic = Light
Metal = Heavy

Adjust the Bushing size for different Shaft size



Collar Restrictor
Choose the shape of lever movement.
Basic Shape = Circular, Square, Squire, Octagonal.
Full Circluar Collar = need 35mm hole.
Combination Collar = CS, OS, SS, COS, OCS.
Black Collar compress the silicone for slightly more
tension

