



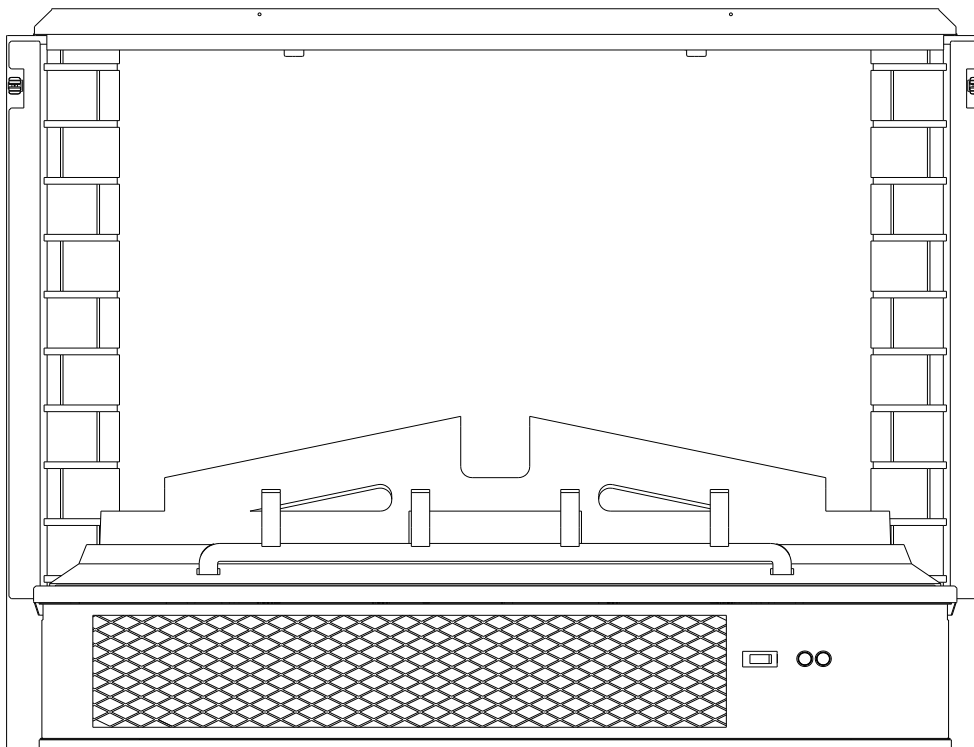
Homeowner's Installation Instructions & Operating Manual

**ELECTRIC HEATER WITH REMOTE CONTROL
Model: EF57US,EF58US,EF59US,EF60US**

READ AND SAVE THESE INSTRUCTIONS

READ CAREFULLY BEFORE ATTEMPTING TO ASSEMBLE, INSTALL, OPERATE OR MAINTAIN THE PRODUCT DESCRIBED.

PROTECT YOURSELF AND OTHERS BY OBSERVING ALL SAFETY INFORMATION. FAILURE TO COMPLY WITH INSTRUCTIONS COULD RESULT IN PERSONAL INJURY AND/OR PROPERTY DAMAGE.



WARNING! To reduce the risk of fire, electric shock, or personal injury, read all the instructions before using this heater.

IMPORTANT INSTRUCTIONS

When using electrical appliances, basic precautions should always be followed to reduce the risk of fire, electrical shock, and injury to persons including the following:

1. Read all instructions before using this appliance.
2. Do not use outdoors.
3. This appliance is not intended for use by persons (including children) with reduced physical, sensory or mental capabilities, or lack of experience and knowledge, unless they have been given supervision or instruction concerning use of the appliance by a person responsible for their safety.
4. Children should be supervised to ensure that they do not play with the appliance.
5. This heater is hot when in use. To avoid burns, do not let bare skin touch hot surfaces. Keep combustible materials, such as furniture, pillows, bedding, papers, clothes and curtains at least 3 feet (0.9m) from the front of the heater and keep them away from the sides and rear.
6. Extreme caution is necessary when any heater is used by or near children or invalids and whenever the heater is left operating unattended.
7. Unplug power cord before servicing or moving the heater. Always unplug heater when not in use.
8. Do not operate any heater with a damaged cord or after the heater malfunctions, has been dropped or damaged in any manner. Return heater to authorized service facility for examination, electrical or mechanical adjustment, or repair.
9. This heater is not intended for use in bathrooms, laundry areas and similar indoor locations. Never locate heater where it may fall into a bathtub or other water container.
10. Do not run cord under carpeting. Do not cover cord with throw rugs, runners, or the like. Arrange cord away from traffic area and where it will not be tripped over.
11. To disconnect heater, turn controls to off, then remove plug from outlet.
12. Connect to properly grounded outlets only.
13. Do not insert or allow fingers or foreign objects to enter any ventilation or exhaust opening as it may cause an electric shock or fire or damage the heater. Do not block or tamper with the heater in any manner while it is in operation.
14. To prevent a possible fire, do not block air intakes or exhaust in any manner. Do not use on soft surfaces, like a bed, where openings may become blocked.
15. A heater has hot and arcing or sparking parts inside. Do not use it in areas where gasoline, paint, or flammable liquids are used or stored.
16. Use this heater only as described in this manual. Any other use not recommended by the manufacturer may cause fire, electrical shock, or injury to persons.
17. Where possible, avoid the use of extension cords because the extension cord may overheat and cause a risk of fire.
18. This heater includes an overheat protection system that shuts off the heater when parts of the heater are getting excessively hot. If the heater shuts off, immediately turn the heater OFF and inspect for any objects, on or adjacent to the heater, which may cause high temperatures. DO NOT OPERATE THE HEATER UNTIL IT IS RESET. To reset the heater, turn it OFF, unplug it from the electrical outlet, and wait five to ten minutes for the unit to cool down before plugging it back in and turning the heater on.
19. Make certain that the power source conforms to the electrical requirements of the heater.
20. To prevent a possible fire, do not block air intakes or exhaust in any manner. Do not place heater on soft surfaces, like a bed, where openings may become blocked.
21. A heater has hot and arcing or sparking parts inside. It must NOT be used in potentially dangerous locations such as flammable, explosive, chemical-laden or wet atmosphere. This heater is intended for use in general use only.

WARNING: DO NOT DEPEND ON THE ON/OFF SWITCH THE SOLE MEANS OF DISCONNECTING POWER WHEN SERVICING OR MOVING THE HEATER. ALWAYS UNPLUG THE POWER CORD.

WARNING: REDUCE THE RISK OF FIRE OR ELECTRIC SHOCK---DO NOT USE THIS HEATER WITH ANY SOLID STATE SPEED CONTROL DEVICES.

SAVE THESE INSTRUCTIONS

INSTALLATION INSTRUCTION

TOOL REQUIRED

Magnetic Phillips Screw Driver



Unpacking the Electric Fireplace



WARNING! Do NOT use this Electric Fireplace if any part has been under water. Immediately call a qualified service technician to inspect and to replace any part of the electrical system if necessary. Keep plastic wrapping away from children.

- Open the packaging carefully and remove the foam.
- Remove and discard the plastic bag.
- Be responsible when handling the packing materials.
- Keep the original packaging for future transport and/or storage.
- Check all accessories are got before you keep the packing.

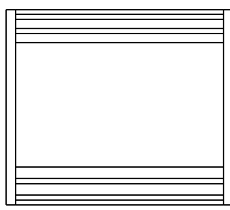
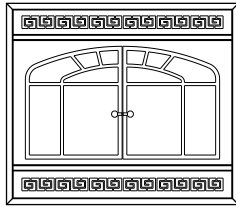
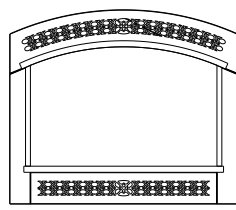
PARTS AND HARDWARE LIST

Fileplace engine	
Title	Qty.
fireplace engine	1pc
remote control	1pc
battery	2pcs
instruction manual	1pc
screw ST4x8	6pcs(for all front) 2pcs(for TE3/TE4 only)
screw ST4x16	2pcs
fixing bracket	2pcs

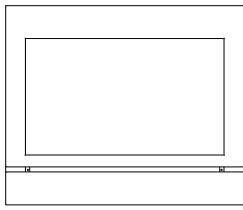
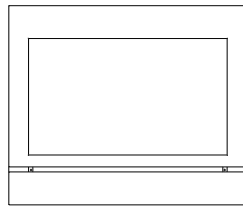
Front	
Title	Qty.
Front	1pc
Air flow plate	1pc

PRODUCT MODEL

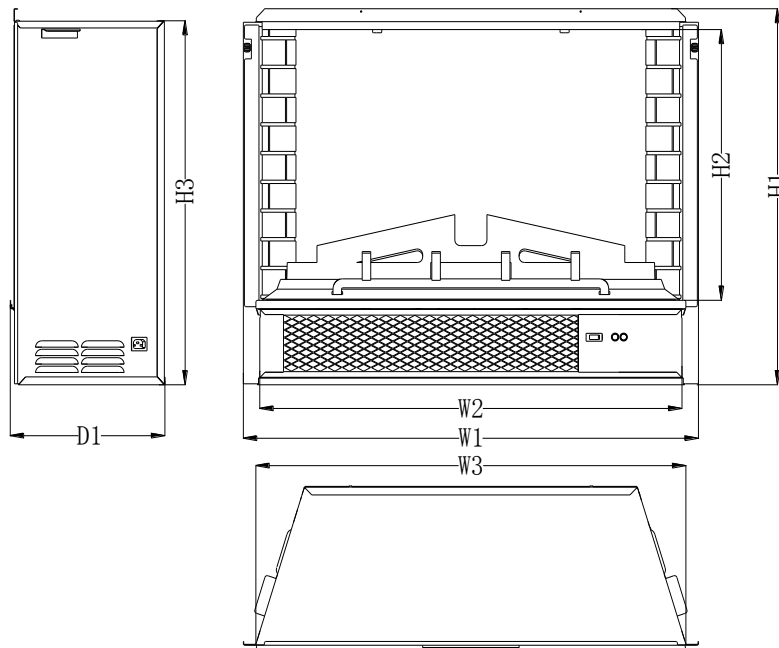
units: mm

FIREPLACE ENGINE		FRONT			
SPEC	MODEL	MODEL	TE1	TE2	TE5
		SIZE			
33"	EF57US	860x755	EF57US + TE1-33	EF57US + TE2-33	EF57US + TE5-33
36"	EF58US	935x795	EF58US + TE1-36	EF58US + TE2-36	EF58US + TE5-36
40"	EF59US	1035x885	EF59US + TE1-40	EF59US + TE2-40	EF59US + TE5-40
42"	EF60US	1080x935	EF60US + TE1-42	EF60US + TE2-42	EF60US + TE5-42

units: mm

FIREPLACE ENGINE		FRONT		
SPEC	MODEL	MODEL	TE3 (STEEL)	TE4 (GLASS)
		SIZE		
33"	EF57US	935x795	EF57US + TE3-36	EF57US + TE4-36
36"	EF58US	1035x885	EF58US + TE3-40	EF58US + TE4-40
40"	EF59US	1080x935	EF59US + TE3-42	EF59US + TE4-42

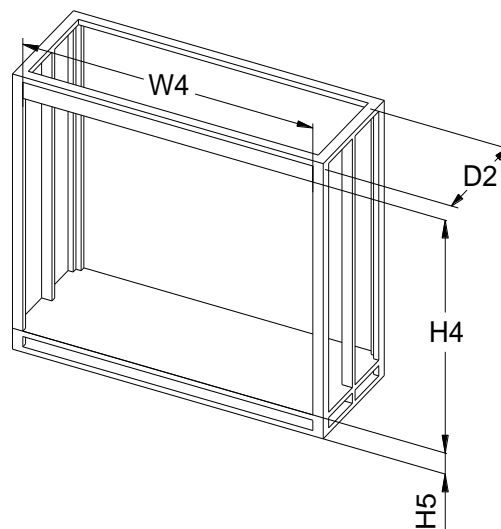
FIREPLACE ENGINE SIZE



units: mm

model	OVER SIZE			FLAME view		OTHER SIZE	
	W1	H1	D1	W2	H2	W3	H3
EF57US	850	668	289	800	481	803	646
EF58US	925	708	289	875	521	878	686
EF59US	1025	798	289	975	611	978	776
EF60US	1060	828	339	1010	616	1013	806

MANTEL FRAMING SIZE



units: mm

	W4	D2	H4	H5
TE3-36/TE4-36	838	300	655	44
TE3-40/TE4-40	914	300	695	69
TE3-42/TE4-42	1016	300	785	49
TE1-33/TE2-33/TE5-33	838	300	655	0
TE1-36/TE2-36/TE5-36	914	300	695	0
TE1-40/TE2-40/TE5-40	1016	300	785	0
TE1-42/TE2-42/TE5-42	1059	350	815	0

LOCATING YOUR ELECTRIC FIREPLACE

Your new electric fireplace may be installed virtually anywhere in your home. However, when choosing a location ensure that the general instructions are followed. For best results, install out of direct sunlight. Power supply service must be either completed or placed within the electric fireplace prior to finishing to avoid reconstruction.

WARNING ! Keep drapery and other furnishings at least 3ft /0.9m from the front and sides of the electric fireplace.

Clearance to Combustibles

Sides 0 in. (0 mm)

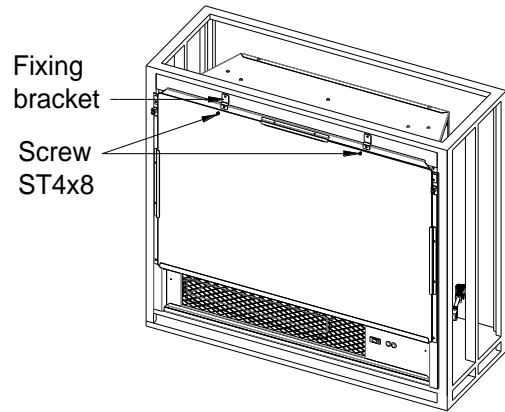
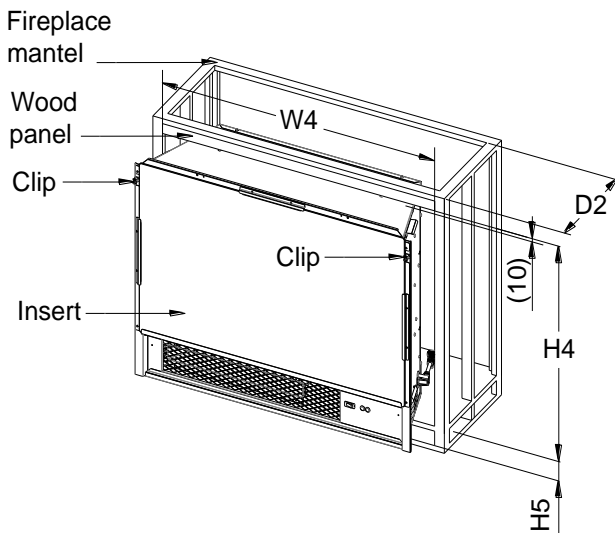
Floor	TE4-36/TE4-36	TE3-40/TE4-40	TE3-42/TE4-42	Other Series
.	1.7in.(44mm)	2.7in.(69mm)	1.9in.(49mm)	0 in. (0 mm)

Top0 in. (0 mm)

Back0 in. (0 mm)

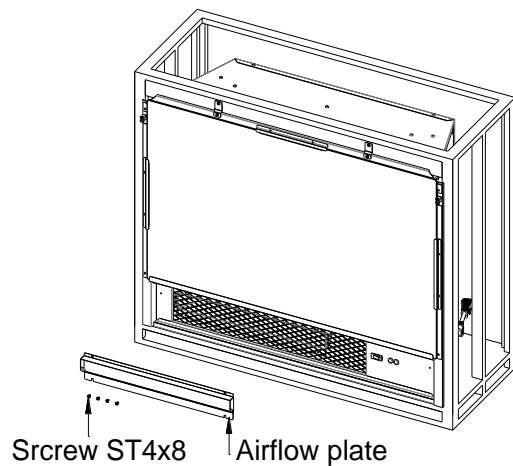
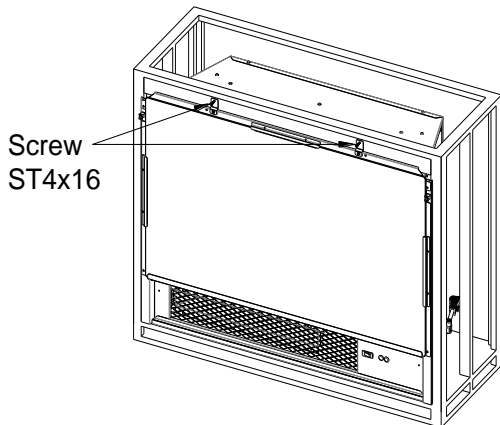
Installation:

1. With front TE1/TE2/TE5



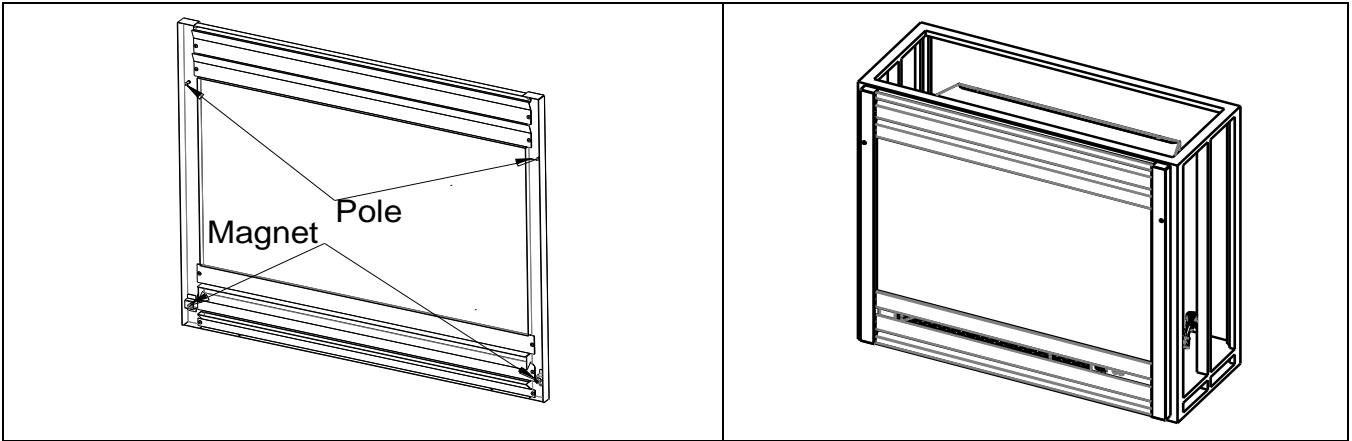
1.1 Gently push the insert into the front of the mantel.

1.2 Fix the fixing bracket onto the fireplace engine by 2pcs of ST4*8 screws.



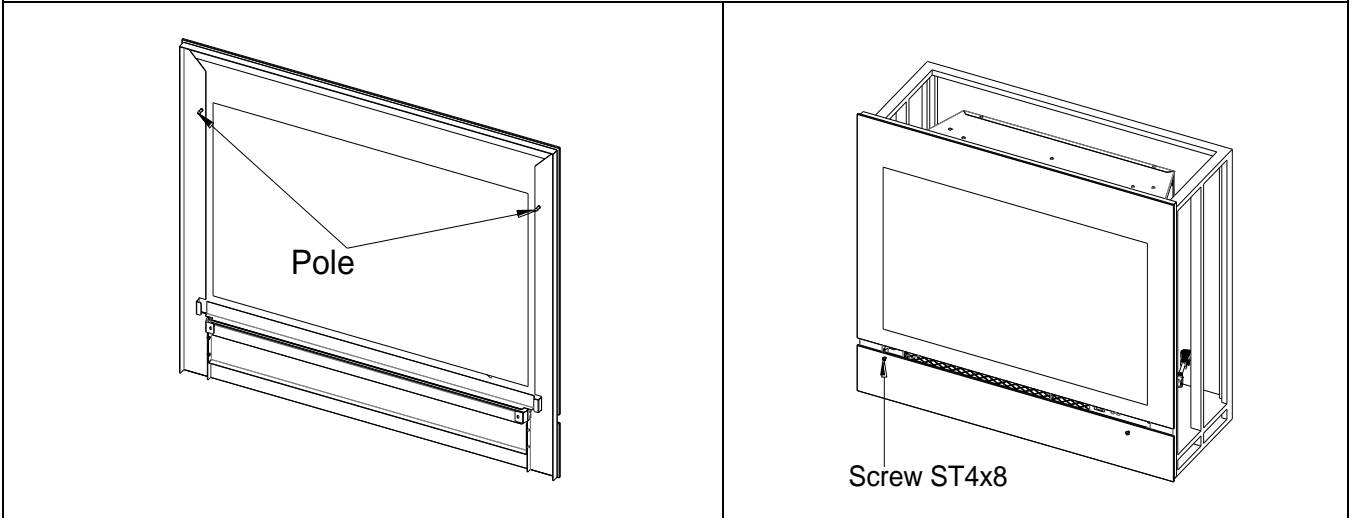
1.3 Fix the insert with the mantel panel by 2pcs of ST4*16 screws.

1.4 Fix the airflow onto the fireplace engine by 4pcs of ST4*8 screws.



1.5 Install the front onto the insert by locating the pole on both sides well, and slightly push the trim bottom to fit the engine by magnets. Installation is completed.

2. With front TE3/TE4

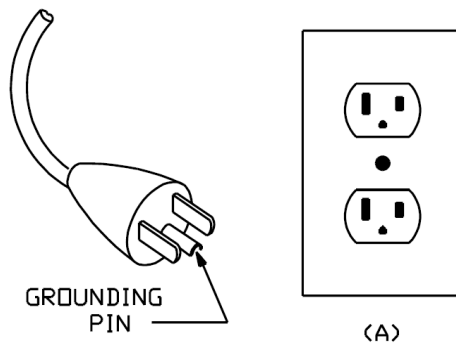


2.1 Fix the insert into the mantel as step 1.2 & 1.3 & 1.4, locate the front onto the engine by the pole on both sides and push down, then fix the trim by 2pcs of ST4*8 screws.

GROUNDING

Plug the power supply cord into a wall outlet (120Vac, 60Hz). The cord has a plug as shown at A. You should follow as shown at the below:

Grounding methods



ELECTRICAL CONNECTION

A 15 AMP, 120 Volt, The unit comes standard with 6 feet (1.8 m) three wire cord, exiting from the rear of the fireplace. Plan the installation to avoid the use of an extension cord. Preferably, the fireplace will be on a dedicated circuit as other appliances on the same circuit may cause the circuit breaker to trip or the fuse to blow when the heater is in operation.

MAINTENANCE

WARNING: ALWAYS UNPLUG THE CORD BEFORE MOVING OR SERVICING. DO NOT IMMERS HEATER IN WATER!

- Always turn OFF the heater and disconnect the cord from the electrical outlet before cleaning your heater.
- Light accumulated dust may be removed from the heater with a soft cloth or vacuum cleaner.
- Wipe the exterior surfaces of the heater occasionally with a slightly damp cloth (not dripping wet) using a solution of mild detergent and water. Dry the case thoroughly before operating the heater.

Caution: Do not allow water to run into the interior of the heater as this could create a fire or electric shock hazard.

- The fan motor is factory lubricated for life and will not require further lubrication.
- Store heater in a clean dry place when not in use.

Warning: Any other servicing needed must be performed by an authorized service representative. Do not attempt to service the unit yourself.

OPERATING INSTRUCTION

This appliance can be operated by both remote control and manual button. Once the unit has been properly connected

to an earthed electrical outlet, turn on the main power switch located on the left hand side of the appliance. A beep should be heard when the power is first applied.



CAUTION! The unit's power cord must be connected to a properly grounded and protected 120V outlet. Always use ground fault protection where required by the electrical code.

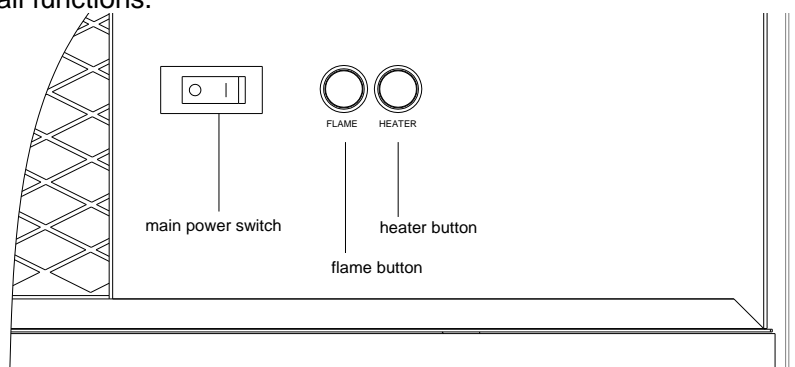


WARNING! Do not operate the unit if it is damaged or has malfunctioned. If you suspect the unit is damaged, please call a qualified service technician to inspect and to replace any part of the electrical system if necessary.

NOTE! To use both remote and manual function. As the main power switch must be in "ON" position.

● Operating by Manual Button

NOTE! The manual button on the fireplace unit is not provide you with all function control, and its propose is to control some basic function when you lose the remote handset. Please use the remote handset to carry out all functions.



Main power switch

The POWER switch supplies power to all of the functions of the fireplace. This switch must be in the "ON" position for any of the functions including the remote to work.

Flame button

The fire has four flame effects, by pressing the flame effect button the unit will cycle through each effect.

Heater button

Press once turns 750W power on. (Pilot lights illuminated ●○)

Press again turns 1500W power on (Pilot lights illuminated ●●)

Press third time turns heater off. (Pilot lights illuminated ○○)

To Reset the Heater

Your heater includes a protection system that shuts off the heater if it overheats for any reason:

- 1) Turn unit to off.
- 2) Unplug unit wait 5 minutes.
- 3) Plug in and turn on.

● Remote control functions



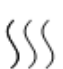



Note:

The fireplace Main Power Switch must be switched ON in order for the Remote Control to function.

In order to protect the product not becoming too hot, there is 8s delay when turning on the heater; also there is 8s delay when turning off the heater fan.

Make sure the battery are installed properly in the remote control.

The effective range of the remote control is up to 4 meters or 13 feet.

ICON	TITLE	FUNCTION
	POWER	Press once turns appliance on. Press again turns appliance off.
	FLAME	The fire has four flame effects, by pressing the flame effect button the unit will cycle through each effect.
	HEATER	Press once turns 750W power on. (Pilot lights illuminated ●○) Press again turns 1500W power on (Pilot lights illuminated ●●) Press third time turns heater off. (Pilot lights illuminated ○○)
	TEMP	Digital display shows the TEMP setting 23°C (default), with 14 settings circle from "OFF", "16°C" to "28°C". The TEMP will increase by 1°C up to 28°C when pressed each time. By pressing the TEMP for 3S, the digital display can show between °C and °F. 16-28°C corresponds to 61-82°F.
	TIMER	Cycles from OFF, 0.5H, 1H, 2H, 3H, 4H, 5H, 6H, 7H, 8H, to 9H.
	BACK LIGHT	By pressing the downlight button the unit will cycle through two effect it including OFF and ON setting.

WARRANTY

In the unlikely event of a problem occurring due to a manufacturing fault within 24 months from the date of purchase of the appliance it will be repaired or replaced free of charge.

This warranty does not cover consumable items such as the bulbs and fuses which have a limited lifespan.

If a problem should occur, the nature of the problem together with the date of a purchase should be immediately reported to the retailer that the appliance was purchased from. Proof of purchase will be required so the original invoice should be retained.

Dynasty Fireplaces

Unit 10 - 3071 No. 5 Road, Richmond, BC V6X 2T4 Canada

Tel: (604) 821-1009 / Toll free: 1-877-521-1009

Fax: (604) 821-1019

Http: www.dynastyfireplaces.com

Email: info@dynastyfireplaces.com