

A top-down view of a bicycle's front end, showing the handlebars, stem, and front fork. The handlebars are wrapped in tan tape. The stem is black with 'POWER' and 'ENVIRONMENT' printed on it. The front fork is black with 'INTENSE' and 'TAZER MX' printed on it. The front wheel is visible at the top, with a yellow 'SNITHO' sticker on the fork crown.

INTENSE

TAZER MX ALLOY PRO
TAZER MX ALLOY EXPERT

MANUAL

REGISTER YOUR BIKE

Don't forget to register your bike:

www.intensecycles.com/pages/registerbike



SCAN ME

TECHNICAL ASSISTANCE

We are here to help. If you need any technical assistance, please contact us:

techcenter@intensecycles.com

US: 951-307-9211

* EU SPEC BIKE IS SHOWN.

CONTENTS

02	Register your Bike information	44	INTENSE bicycle identification
04	PDF manual download QR codes	46	How to use your Tazer MX
05	Welcome to INTENSE	46	<i>Charging the battery</i>
06	Know your Tazer MX	49	<i>Turning on your Tazer MX</i>
09	Set-up guide	50	<i>Using the power modes</i>
11	<i>Remove wheels and prepare bike</i>	54	<i>The display</i>
13	<i>Charge the battery</i>	56	<i>SHIMANO E-Tube app</i>
15	<i>Install the rear derailleur and handlebar</i>	58	<i>Troubleshooting</i>
17	<i>Connecting the motor mode selector and display wires</i>	62	Maintenance and care
21	<i>Install rear wheel</i>	64	Frame features and component spec
25	<i>Install front wheel</i>	66	Component listings
27	<i>Install pedals</i>	68	Geometry charts
27	<i>Check gears</i>	70	Exploded views and parts listings
29	<i>Adjust headset, handlebars and saddle height</i>	78	Parts kits
31	<i>Check tire pressure and install bottle cage</i>	82	Torque settings
33	<i>Install battery</i>	84	Declaration of Conformity
35	<i>Front suspension set-up</i>		
40	<i>Rear suspension set-up</i>		

NEED A TRANSLATION?

MULTIPLE LANGUAGE VERSIONS AVAILABLE

The Tazer MX Alloy manual is also available in French, Spanish, German and Italian. Scan the QR code for your region below and you will be able to download this manual in your language of choice.

ASIA-PACIFIC



CANADA



EUROPE



US



UK



FRENCH,
SPANISH,
GERMAN
AND ITALIAN
LANGUAGE
VERSIONS ALL
AVAILABLE.



WELCOME TO THE FAMILY

AT INTENSE WE HAVE ONE GOAL - TO PROVIDE THE RIDE OF YOUR LIFE

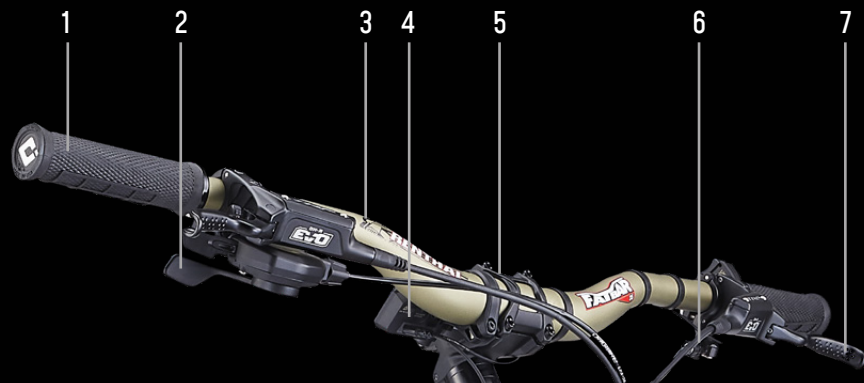
Our team of designers, engineers and product experts are focused on one thing every day: your experience on the bike. We build bikes that are as thrilling to look at as they are to ride, and we build them for the select few of you who understand the difference and refuse to settle for anything else.

From the early days of INTENSE, when founder Jeff Steber worked alone in his garage, to today with our crew of talented people working in our Temecula, CA headquarters and in offices around the world, INTENSE has been a brand built on passion by forward thinkers who love nothing more than to throw a leg over a sweet bike and head out for a rip. We're so glad you've joined us. Welcome to INTENSE, enjoy your experience.

THE INTENSE TAZER MX

Inspired by motocross, and exclusive for powersports dealers, the Tazer MX is unlike any other eBike you've ridden. Built with aggressive trail geometry, Jeff Steber tuned kinematics and 29"/27.5" front/rear wheel combo, this bike delivers a unique ride with a seamless pedal-to-power transition.

#NOSHUTTLEREQUIRED



* EU SPEC BIKE IS SHOWN.

KNOW YOUR TAZER MX ALLOY

COMPONENT BREAKDOWN

- | | |
|--------------------------------|---------------------------|
| 1 Grips | 13 Rear brake |
| 2 Shifter | 14 Cassette |
| 3 Handlebars | 15 Rear derailleur |
| 4 Digital display panel | 16 Chain |
| 5 Stem | 17 Chainring |
| 6 Dropper post lever | 18 Crankset |
| 7 Brake lever | 19 Headset |
| 8 Power button | 20 Suspension fork |
| 9 Frame | <i>A Fork crown</i> |
| <i>1 Toptube</i> | <i>B Stanchion</i> |
| <i>2 Downtube</i> | <i>C Lower leg</i> |
| <i>3 Seattube</i> | |
| <i>4 Chainstay</i> | 21 Front brake |
| <i>5 Seatstay</i> | 22 Rotor |
| <i>6 Rear shock</i> | 23 Spoke |
| 10 Saddle (seat) | 24 Tire |
| 11 Dropper seatpost | 25 Thru axle |
| 12 Seatpost clamp | 26 Rim |
| | 27 Motor |



INTENSE TAZER MX
SET-UP GUIDE

Your new INTENSE Tazer MX eBike is almost ready to go, you just need to do a few things to get your bike ready for its first ride. If you are setting up your bike from the box, the next few pages will show you how to assemble it. If you picked up your bike already set-up by a dealer then you can jump to page 44.

We have a series of in-depth and detailed videos on our website that go through the whole process of building and preparing your bike – including technical videos on suspension set-up, tuning your gears, and much more.

GO TO [INTENSE.COM/PAGES/TECHVIDEOS](https://www.intense.com/pages/techvideos)



WE ARE HERE TO HELP!

If at any time you feel unsure about what you are doing then please contact us at INTENSE or seek the help of a professional mechanic at your local bike shop.

INTENSE +1 951.307.9211



A



B

STEP 1

REMOVE BIKE FROM BOX

When you first open your bike box you will find a Quick Start Guide, accessory box (including a tool box, torque wrench and tubeless conversion kit) battery, battery charger and the bike itself. First, remove the wheels and put to one side **(A)**. Take off the packaging around the handlebars and expose the dropper post lever on the left-hand side of the handlebar. Push dropper post lever. This will raise dropper post to its highest position, which will allow you to put the bike safely in a bike stand.

With the dropper post raised, clamp the bike in a bike stand by the seatpost. Remove all remaining packaging and zip-ties from the bike **(B)**.



STEP 2
CHARGE BATTERY

The battery is supplied in sleep mode. To wake it up you need to connect it to your battery charger. You can do this with the battery in your bike, but for simplicity while setting up your bike, we suggest removing the battery and placing it directly on charge. It will take between 3-5 hours to fully charge the 504 Wh battery in the Expert model, and 6 hours for the 630 Wh battery in the Pro model. See page 46 for further battery charging information.

The battery will be locked in position. To remove it you will need to use the key provided in the accessory box following the steps below. The lock for the battery is positioned on the upper part of the downtube on the lefthand side of the bike.

With one hand supporting the battery, insert the battery key into the lock (A) and turn the key a quarter turn in a clockwise direction. This will release the battery from the lock position and onto the catch-tab.

Now with the battery on the catch-tab, press the release button (B) until the battery clears the downtube and pull battery forward and out. Your battery will now be free from your bike.

Remove the key and keep it in a safe place. You can now charge the battery, see page 46 for further information.

It's easiest to charge the battery while it's in the bike. There is a port on the bike above the motor near the lower link. (C)



STEP 3

INSTALL REAR DERAILLEUR

Remove the zip-tie from the main pivot bolt hole (A). Using a 5mm Allen key slowly begin to screw the rear derailleur into the derailleurs hanger/frame until you have engaged the threads.

It is important that you locate the 'B Screw' on the derailleurs and position it correctly so that it sits on the derailleurs hanger notch (B). Once aligned, tighten the derailleurs and torque to 10-12Nm.

STEP 4

INSTALL HANDLEBAR

Using the 4mm Allen key remove the four bolts from the two handlebar clamps of the stem (C) and put the handlebars in place. Use the guidelines printed on the handlebars to help position them centrally and evenly. Check that the brake, shifter and dropper post cables have a nice flow and are not kinked or twisted in any way.

Replace the stem handlebar clamps and reinsert the bolts (D), first by hand and then with the 4mm Allen key. Gradually tighten the bolts, making sure that the bars are still positioned correctly and that the space between the faceplate and the main body of the stem is even.

When tightening the bolts follow this pattern to ensure even clamping: top left, top right, bottom left, bottom right. Finish off using the torque wrench to 5Nm (E).



*Tazer MX Carbon Pro model shown.

STEP 5

CONNECTING THE MOTOR MODE SELECTOR AND DISPLAY WIRES



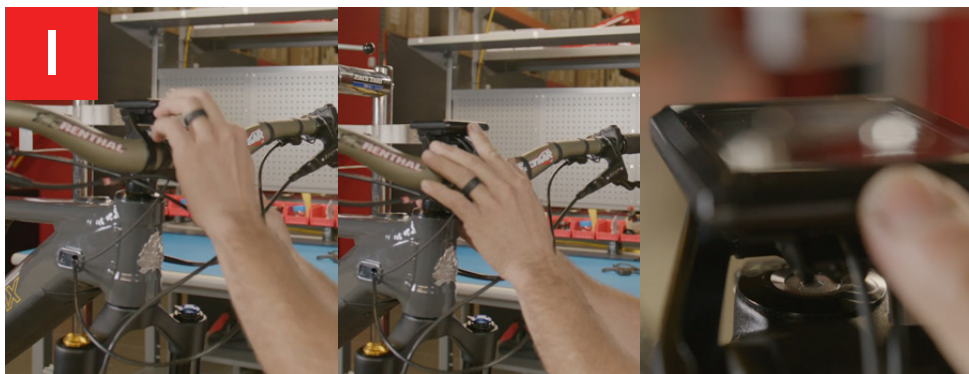
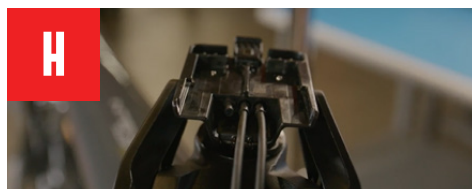
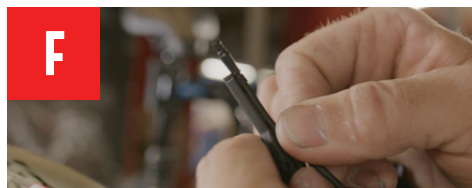
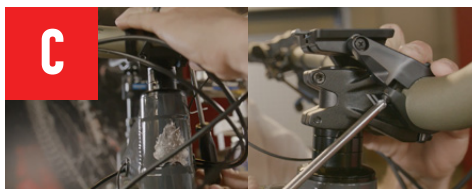
Tazer MX Experts and Tazer MX Pro EU Version:

Included in your accessory box is a special SHIMANO connector tool (the TL-EW300 tool). Use this tool (A) to connect the wires to your handlebar display. The tool helps to protect the plug and wire from damage. Slide the plug and wire into the tool as shown, ready for connection.

Sitting on your bike, the cable that comes from the controller (mode selector) on the left-hand side of your handlebars goes into the first hole nearest to the stem (left-hand side), port number 1. (B) Align the plug into the port, then apply a small amount of pressure. There will be an audible click when the cable is fitted correctly. You may need to loosen and rotate the Display Selector slightly to help you gain access to the holes.

The other cable that goes into your frame (C) (down to the drive unit/motor) attaches to the second hole from the left, port number 2.

NOTE: PLEASE SEE THE NEXT PAGE FOR THE US SPEC PRO VERSION DISPLAY



STEP 5

CONNECTING THE MOTOR MODE SELECTOR AND DISPLAY WIRES



Tazer MX Pro US Version:

Before connecting the mode selector wires, you will need to mount your display screen. Take the display stand and mount on handlebar by pulling apart the straps and sliding them over the handlebars. **(A)**. Finger tighten the two Phillips screws and flip the display over into place **(B)**. Once into place, tighten the screws and torque to 1-2Nm **(C)**.

You can connect your motor mode selector and display wires using your TL-EW300 tool. Sitting on your bike, the cable that comes from the controller (mode selector) on the left-hand side of your handlebars goes into the first hole nearest the stem (left-hand side), port number 1 **(D)**. Align the plug into the port, then apply a small amount of pressure. There will be an audible click when the cable is fitted correctly **(E)**. You may need to loosen and rotate the Display Selector slightly to help you gain access to the holes.

The other cable that goes into your frame **(F)** down to the drive unit/motor attaches to the second hole from the left, port number 2. Align the plug into the port using the TL-EW300 tool, then apply a small amount of pressure **(G)**. There will be an audible click when the cable is fitted correctly **(H)**.

The last step is to slide the display screen into place. You can gently slide it into the mount until you hear it click **(I)**.



STEP 6
**INSTALL
REAR WHEEL**

Remove the rear brake pad spacer (usually yellow, red or orange plastic). At this stage be careful not to pull the rear brake lever until the wheel has been installed.

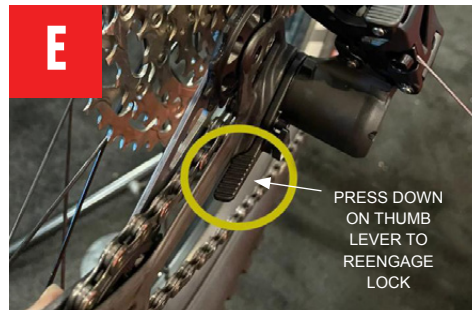
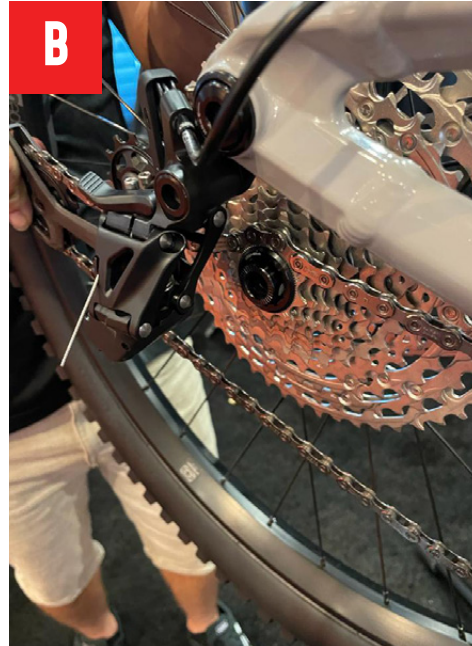
Remove any packaging left on the rear wheel, including the large black plastic rotor guards (A). Be careful that the wheel spacers don't get pulled off by accident (B). If they do, just press them back into position. Do not touch the brake rotors with your hands or gloves, as any small amount of grease may contaminate them and the brake pads.

Remove the rear axle with a 5mm Allen key by turning it counterclockwise from the non-drive side.

EXPERT BUILD: Insert the rear wheel into the frame by first positioning the chain on the smallest cog on the cassette (C). For your SHIMANO equipped Tazer MX Expert you will need to rotate the lower cage of the derailleur down a little to allow you to position the chain on the cassette more easily. Carefully line up the rotor with the rear brake making sure that it slides inside the caliper body between the brake pads (D), and the hub spacers slide into the slots on the frame dropouts.

Once everything is lined up and in position, reinsert the axle. Turn with the 5mm Allen key clockwise, you may need to apply a little inward pressure to start it off. Torque to 11Nm (E).

*PRO BUILD instructions on next page.

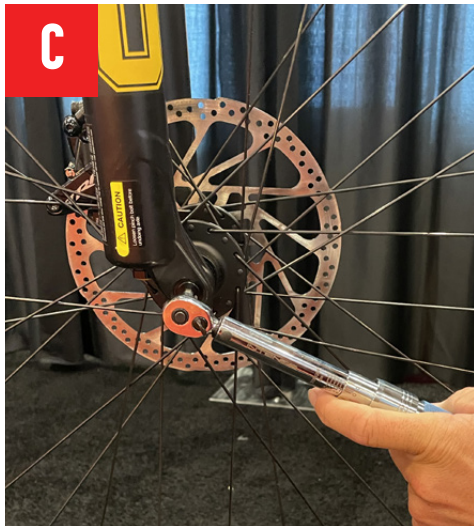


STEP 6

INSTALL REAR WHEEL

PRO BUILD: For your TRP equipped Tazer MX Pro build, you will need to pull the lower cage release button on the rear derailleur **(A)**. Insert the rear wheel into the frame by first positioning the chain on the smallest cog on the cassette. Then push the lower derailleur cage forward to allow you to position the chain on the cassette more easily. Carefully line up the rotor with the rear brake making sure that it slides inside the caliper body between the brake pads **(B)**, and the hub spacers slide into the slots on the frame dropouts.

Once everything is lined up and in position **(C)**, reinsert the axle. Turn with the 5mm Allen key clockwise, you may need to apply a little inward pressure to start it off. Torque to 11Nm **(D)**. When finished, reengage the lower cage button by pressing down on the thumb lever until the lock reengages.



STEP 7
**INSTALL
FRONT WHEEL**

Just like the rear wheel, remove all packaging from the front wheel making sure the hub end caps are still in the correct place and that they haven't been pulled off by accident. If they do come off, just press them back into position. Then remove the brake pad spacer (usually orange, yellow or red). At this stage be careful not to pull the front brake lever until the wheel has been installed. Do not touch the brake rotors with your hands or gloves as this may contaminate them.

PRO BUILD (ÖHLINS): With a 5mm Allen key loosen the pinch bolt on the right front lower leg. Then with the same 5mm Allen key in a counterclockwise direction remove the front axle (A) from the drive-side of the bike

EXPERT BUILD (DVO): With a 6mm Allen key loosen in a counterclockwise direction and remove the front axle from the drive-side of the bike. Note: there are no pinch bolts on the EXPERT build/DVO fork.

(B) Position the wheel so that the rotor fits into the brake caliper body and that the hub body slots into the grooves on the fork. Once everything is aligned reinstall front axle.

PRO BUILD: With a 5mm Allen key, and applying some inward pressure, tighten the axle (C) in a clockwise direction. Torque to 6Nm. Then tighten and torque the right lower leg pinch bolt (D) to 6Nm.

EXPERT BUILD: With a 6mm Allen key, and applying some inward pressure, tighten the axle in a clockwise direction (E). Torque to 7Nm.



STEP 8

INSTALL PEDALS

(A) Bicycles have specific left and right pedals, and the left-hand side pedal has an opposite thread on it, meaning that it tightens up in a counterclockwise direction. You need to make sure that you have the correct pedal for each side of your bike. You will see on the pedal axle CR-R (or R) for the right and CR-L (or L) for the left. The right-hand (drive-side) pedal tightens up normally in a clockwise direction.

As mentioned the left-hand (non-drive side) pedal tightens up in a counterclockwise direction (B). Be cautious that the pedals are installed nice and straight, being careful not to cross thread the crankarms. A spot of grease on the thread is good to use here. You can use either a 6mm Allen key or a 15mm spanner/wrench and tighten to 47-54Nm.

STEP 9

CHECK GEARS

Now is a good time to run through the gears to check that they are working correctly. To do this turn the cranks/pedals so that the rear wheel begins to spin. Whilst still pedaling the bike with your hand shift through the gears using the gear shifter on the right-hand side of your handlebars (C) (being careful not to trap anything in the chain or wheel). If you are having any issues with the gears, please check out our Tech Video series on the INTENSE website.





STEP 10

ADJUST HEADSET & BARS

You want to ensure that your headset moves easily with a very slight amount of resistance, but with no play. You will need to set your headset pre-load to 2-4Nm.

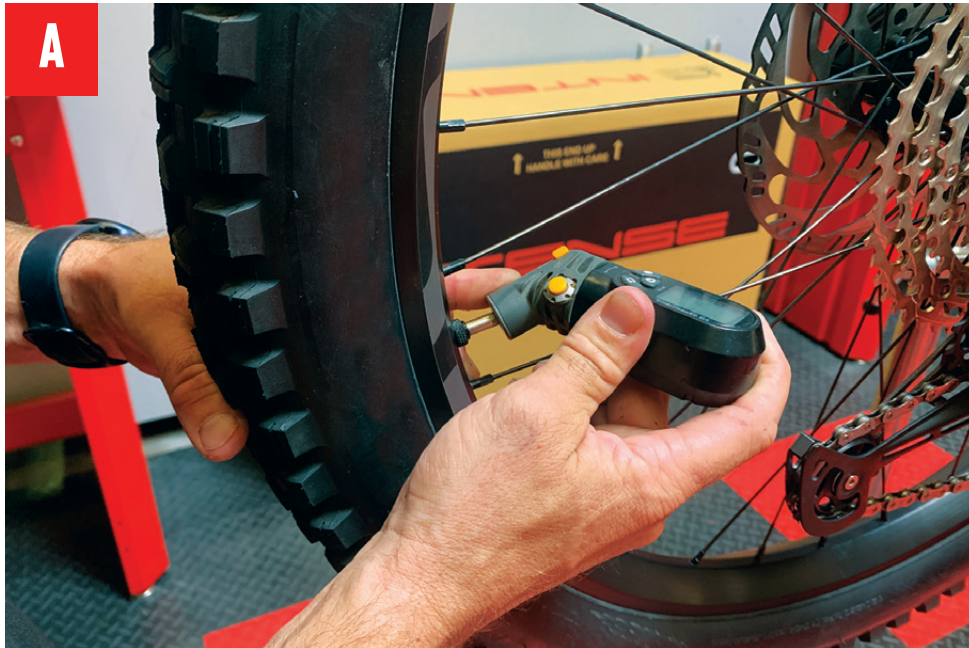
(A) If your headset feels a little loose then undo the stem clamping bolts slightly using a 4mm Allen key and then gently tighten the top cap bolt by a quarter clockwise turn or until you reach 2-4Nm **(B)**. Retighten the stem clamp bolts and check the headset again. If the bars don't turn smoothly it is too tight, so repeat the process, but this time slacken the top cap bolt off a little, or if it is too loose, continue to tighten.

Once you are happy with your headset you need to make sure that your stem and handlebars are straight. A good tip is to straddle your bike and look down and line the back of your handlebars up with the front of the fork legs. Take your time, and when you are happy tighten the two stem bolts to 5Nm.

STEP 11

ADJUST SADDLE HEIGHT

Set the height of your saddle (seat) with your dropper seatpost in its fully extended position. **(C)** Using a 5mm Allen key loosen the seatpost clamp and adjust the seatpost to the correct height. A good base measurement is to stand next to your bike in your riding shoes. Putting your hand against the top of your hip bone **(D)**, the palm of your hand should be level with the top of the saddle. Adjust as appropriate, then tighten the seat clamp to 5Nm. Do not overtighten this bolt as it may affect the performance of the seatpost. Note: You may need slight saddle height adjustments to ensure optimum comfort.



STEP 12

**CHECK
TIRE PRESSURE**

(A) The ideal tire pressure setting is determined by three factors: rider weight, type of terrain and the desired balance of comfort and traction. The pressures here are a suggested starting point and can typically range +/- 5psi. Front: 24psi, Rear: 26psi. It is always a good idea to inspect your tires for tears and punctures before and after every ride.

STEP 13

INSTALL BOTTLE CAGE

Your bike comes supplied with a water bottle cage. Undo the two 3mm bolts (B) on the downtube of your bike and fit the cage (C). Tighten to 3Nm.





A

ALIGN THE TABS AND
INSERT AT THE BOTTOM



B

GENTLY PUSH THE
BATTERY UPWARDS



C

THERE WILL BE AN AUDIBLE CLICK AS THE
BATTERY LOCKS ITSELF IN TO PLACE

STEP 14

**INSTALL
BATTERY**

Once your battery is fully charged (see page 49) you need to reinstall it back into the bike.

Install the battery by inserting the lower tab of the battery into the tab recess hole on the frame of the bike at an angle of approximately 45° (A).

Making sure that everything is aligned correctly, simply hinge the battery upwards into position using gentle pressure to push it into place (B).

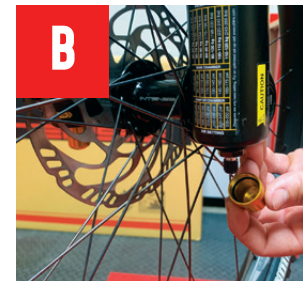
With the battery almost in its final position, use gentle pressure to push it into place, you will hear an audible click as it locates and locks itself in to place (C).

The battery is now locked in position. If you want to remove the battery you will need to use the key provided with the battery. See STEP 1 for more information.

Do not force the battery into the opening, as it can result in damage to the battery or terminal.

FORK: PRO ÖHLINS RXF 38 / EXPERT DVO DIAMOND E3
SUGGESTED STARTING POINTS FOR SETTING FORK SAG

RIDER WEIGHT		PRO BUILD ÖHLINS		EXPERT BUILD DVO
(lbs)	(kgs)	PRESSURE (psi)		PRESSURE (psi)
		MAIN CHAMBER	RAMP-UP CHAMBER	
120-130	54-59	70-80	160-170	80-85
130-140	59-64	80-85	170-180	80-85
140-150	64-68	85-90	170-180	85-90
150-160	68-73	90-95	180-190	85-90
160-170	73-77	95-100	180-190	90-95
170-180	77-82	100-105	180-190	90-95
180-190	82-86	105-110	190-205	95-100
190-200	86-91	110-115	190-205	95-100
200-210	91-95	115-120	190-205	100-105
210-220	95-100	120-125	195-210	100-105
220-230	100-104	125-130	205-215	105-110
230-240	104-109	130-135	215-225	105-110
240-250	109-113	135-140	220-230	110-120



It is important to get good base settings for your suspension that you are happy with. It is easy to get confused with all the different variables of settings, so remember to write everything down as you go along. You can take note of air pressure, rebound clicks and any other suspension details.

STEP 15
FRONT SUSPENSION SET UP

Out of the box your fork settings are generally set up for a rider weighing between 130-140lb (59-63.5kg). To adjust the suspension to your weight simply add some air or take some out. Your weight should be calculated when you are in full riding gear (including helmet, and if you regularly use one, your backpack).

ADJUSTING AIR PRESSURE PRO BUILD (Öhlins): Look at the air pressure chart opposite (also to be found on the bottom of the right-hand fork leg) to calculate the air pressure you require. Remember to calculate your weight when you are in full riding gear. You are looking for approximately 20% sag, so for the 160mm (6.3”) fork that comes on the Tazer MX PRO that measurement should be around 32mm (1.25”). Adjust the pressure in your forks until you reach the correct sag. Please note that the Öhlins RXF fork has a main air chamber (A) and a ramp-up chamber that both require air. The ramp-up chamber (B) is located on the underside of the right fork leg and the main air chamber is located on the top of the right fork leg. Please refer to the Öhlins RXF manual for more info.

ADJUSTING AIR PRESSURE EXPERT BUILD (DVO): The DVO fork on the EXPERT build has just one main air chamber on the left leg. The Schrader valve (car tire type) can be found on the upper left fork leg under a silver protective cap (C).

Please refer to the air pressure chart opposite for recommended settings.

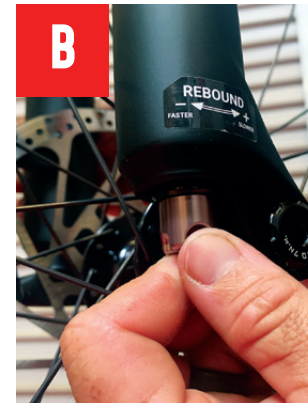
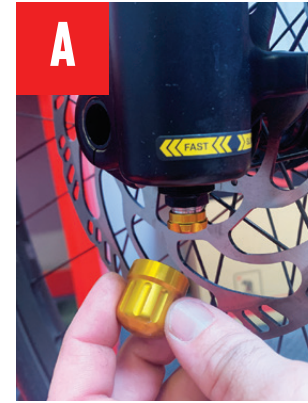
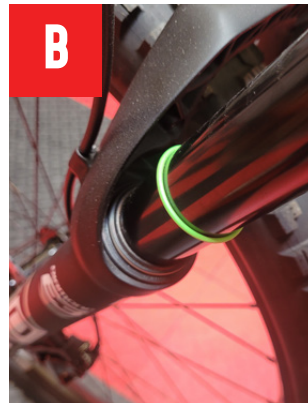
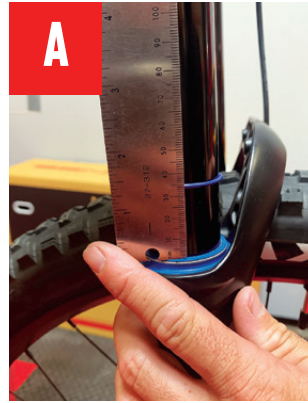
STEP 16
SETTING FORK SAG

You now need to measure the ‘sag’ of the fork. Sag is important as it allows the fork to work properly. With the help of a friend sit on the bike in a normal riding position in full riding gear, pedals level. Bounce up and down on the bike a few times and then gently sit back down. Do not touch the brakes.

For the PRO model (Öhlins) on the right fork leg is a blue rubber O-ring (A). On the EXPERT model the rubber O-ring is on the left leg and is green (B). Get your friend to slide this down until it touches the top of the fork. Carefully get off the bike without further compressing the forks (your friend can help here by holding the handlebars so they don’t drop).

When the bike is unweighted, the fork will be fully extended and leave a gap between the fork seal and the O-ring. The distance between these two is your sag measurement. You are looking for approximately 20% sag – which is 34mm for the PRO model and 32mm for the EXPERT model. Use a ruler to measure the gap.

Adjust the air pressure in your forks until you reach the correct sag measurement (C). If you don’t have enough air just pump more in using the shock pump that came with the tool kit. If you have too much air just briefly press the small button on the shock pump, this will release small amounts of air from the system. Once finished, replace the protective caps.



STEP 17
SETTING FORK REBOUND

The rebound setting on your fork is how quickly your suspension reacts to impacts and returns to its normal position after compression. Your rebound settings can vary depending on the terrain you are riding on, your riding style, etc. A fast rebound setting is good when you need the fork to react quickly over continuous rough ground, but not so good, if for example, you are going off a lot of big drops where the faster rebound may pitch you forward too quickly. As with most things, finding a middle ground is best – not too fast, and not too slow – and then tweaking and refining as you begin to understand how your bike and suspension feels and reacts.

On the PRO (Öhlins) model the rebound adjuster for the fork is a gold dial located underneath a gold protective cap on the bottom of the left leg (A).

For the EXPERT (DVO) model the rebound adjuster for the fork is a silver dial located on the bottom of the right leg (B).

The rebound adjustment is dependent on your air pressure setting. For example, higher air pressure requires more rebound damping. Use your air pressure to find your rebound setting. Turn your rebound knob to the closed position (fully clockwise) until it stops. Then back it out (counterclockwise) to the number of clicks shown in the tables overleaf.

REBOUND

Open
(counterclockwise)
Least amount of rebound damping. Fork rebounds fastest.

Closed
(clockwise)
Most amount of rebound damping. Fork rebounds slowest.

STEP 17 CONTINUED...

FRONT SUSPENSION SETUP

FORK: ÖHLINS RXF 38 M.2 ONLY

SUGGESTED STARTING POINTS FOR SETTING UP YOUR FORK

RIDER WEIGHT (LBS/KGS)	AIR PRESSURE MAIN CHAMBER (PSI)	AIR PRESSURE RAMP-UP CHAMBER (PSI)
110-132 / 50-60	70-80	160-170
132-154 / 60-70	80-90	170-180
154-176 / 70-80	90-100	180-190
176-198 / 80-90	100-110	190-200
198-220 / 90-100	110-120	200-210
220-243 / 100-110	120-130	210-220
243-265 / 110-120	130-140	220-230

FORK: PRO ÖHLINS RXF 38 / EXPERT DVO DIAMOND E3

SUGGESTED REBOUND SETTINGS

RIDER WEIGHT (lbs)	(kgs)	PRO BUILD ÖHLINS # of clicks	EXPERT BUILD DVO # of clicks
120-130	54-59	12-16	10-14
130-140	59-64	12-16	10-14
140-150	64-68	8-12	8-12
150-160	68-73	8-12	8-12
160-170	73-77	8-12	6-10
170-180	77-82	8-12	6-10
180-190	82-86	8-12	6-10
190-200	86-91	8-12	6-10
200-210	91-95	8-12	6-10
210-220	95-100	8-12	6-10
220-230	100-104	5-8	4-8
230-240	104-109	5-8	4-8
240-250	109-113	5-8	4-8

(Number of clicks from fully closed. Each click above represents a counterclockwise turning motion.)



HIGH AND LOW SPEED COMPRESSION ADJUSTERS

Different models of forks (and rear shocks) have different levels of adjustment that will enable you to fine tune your suspension. We recommend that you refer to each manufacturer's website or instruction manual for full technical details and further information on the specific fork (or rear shock) that you have on your bike.

www.ohlins.com
www.dvosuspension.com



Two of the most common adjustments are High and Low Speed Compression. High and Low do not refer to the speed that you are traveling at, but rather the speed that the fork or shock moves as it reacts to trail obstacles and rider inputs.

Pedaling or weighting the bike through turns are two good examples of where Low Speed Compression adjustment (LSC) can affect the suspension feel. Braking bumps or big drops (where the suspension moves quickly through its travel) are good examples of where High Speed Compression (HSC) adjustment can help. The more compression damping you have the firmer the suspension will feel, offering more support.

STEP 18
REAR SUSPENSION SET UP

First check the spring rate-chart on this page to make sure that the spring fitted on your Tazer MX is within range for your rider weight. If the spring is too hard or too soft you will need to change it. Please see our Tech Videos section on our website to see how to change the coil on your shock.

SPRING RATES AS STANDARD

PRO MODEL: Öhlins TTX22M COIL EXPERT: DVO JADE X E3 COIL
 Size S/M: 548 lb Size S/M: 550 lb
 Size L/XL: 605 lb Size L/XL: 650 lb

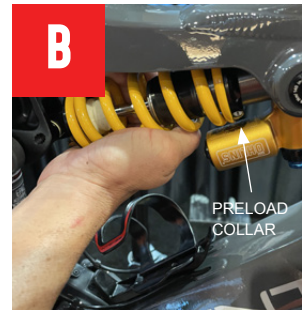
Rear wheel travel: 155mm (6.1"). Shock stroke: 55mm (2.15"). Shock sag: 30% when sitting on the bike. Shock preload: Min-1.5 turns / Max-5 turns.

SHOCK: PRO ÖHLINS TTX22M COIL, EXPERT DVO JADE X E3 COIL
SUGGESTED STARTING POINTS FOR SETTING UP YOUR SHOCK

RIDER WEIGHT		SPRING RATE		REBOUND CLICKS		LOW SPEED		HIGH SPEED	
(lbs)	(kgs)	PRO Öhlins	EXPERT DVO	PRO / EXPERT	P	E	P	E	
100	45	300	343	6 11	6	14	-	12	
110	50	365	350	6 10	6	14	-	12	
120	54	388	350	5 9	6	14	-	12	
130	59	411	400	5 9	6	14	-	12	
140	63.5	434	400	5 8	6	14	-	12	
150	68	457	450	4 8	4	12	-	10	
160	73	480	450	4 7	4	12	-	10	
170	77	525	500	4 7	4	12	-	10	
180	82	548	500	3 6	4	12	-	10	
190	86	571	550	3 6	4	12	-	10	
200	91	605	550	3 5	2	10	-	8	
210	95	605	600	2 5	2	10	-	8	
220	100	640	600	2 4	2	10	-	8	
230	104	640	650	2 3	2	10	-	8	
240	109	674	650	1 2	2	10	-	8	
250	113	708	700	1 1	2	10	-	8	

(Rebound: Clicks out from fully closed. Low speed and high speed refers to compression.)

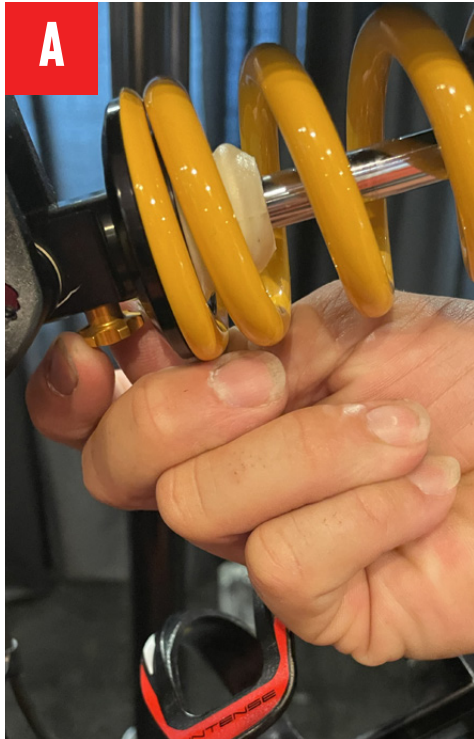
STEP 19
SETTING SHOCK SAG



Just as you did with your forks you now need to set the sag on your rear shock. The optimal sag on your rear shock is 30% of the piston's movement inside the shock body (stroke) for both the Öhlins equipped PRO model and the DVO on the EXPERT. The distance between the two shock mounting bolts (eye-to-eye) without a rider on the bike is 185mm for both shocks. Sag at 30% (of the piston) equates to a 16mm reduction in the eye-to-eye measurement. So the correct eye-to-eye measurement for 30% sag on both of these shocks is 169mm (185-16 = 169mm).

With the help of a friend, sit in a normal riding position in full riding gear on the bike, pedals level. Bounce up and down on the bike a few times and then gently sit back down. While still sitting on the bike, and with the shock slightly compressed (sag), measure the length of the shock (eye-to-eye) and record that number (A). To check the amount of sag just minus the original number from the new measurement, that will be your sag measurement. If the eye-to-eye measurement is 169mm that will give you a sag measurement of 16mm, which gives you the exact 30% sag rate you are looking for.

While adjusting your rear shock sag, keep in mind that you must keep your total turns of spring preload at a minimum of two turns and a maximum of five turns. If your sag number is higher than 30%, increase the spring preload by turning the preload collar clockwise (2-5 turns) (B). If your sag number is lower than 30%, decrease the spring preload by turning the preload collar counterclockwise (minimum of two turns from base). Check the sag measurement again and adjust as necessary. If you cannot get the correct sag you will probably need a different spring rate for your bike.



STEP 20

SETTING SHOCK REBOUND

Just like for your fork, the rebound setting on your rear shock is how quickly it reacts to impacts and returns to its normal position after compression. Your rebound settings can vary depending on the terrain you are riding on, your riding style, etc. As with most things, finding a middle ground is best – not too fast, and not too slow – and then tweaking and refining as you begin to understand your bike and suspension feel. On the PRO (Öhlins) model the rebound adjuster for the rear shock is a gold dial (A), and for the EXPERT (DVO) model it is a green dial (B), both are located on the bottom of the shock by the end of the coil.



HIGH AND LOW SPEED COMPRESSION ADJUSTERS

As previously mentioned regarding your fork's suspension settings, different models of rear shocks have different levels of adjustment that will enable you to fine tune your suspension. We recommend that you refer to each manufacturer's website for full technical details and further info on the specific shock that you have on your bike.

www.ohlins.com
www.dvosuspension.com



Two of the most common adjustments are High and Low Speed Compression. High and Low do not refer to the speed that you are traveling at, but rather the speed that the shock moves as it reacts to trail obstacles and rider inputs.

Pedaling or weighting the bike through turns are two good examples of where Low Speed Compression adjustment (LSC) can affect the suspension feel. Braking bumps or big drops (where the suspension moves quickly through its travel) are good examples of where High Speed Compression (HSC) adjustment can help. The more compression damping you have the firmer the suspension will feel, offering more support.



On the Öhlins equipped PRO model the black dial (C) is high speed compression and blue one is low speed compression (D). For DVO equipped EXPERT models the compression is adjusted by a black dial on the top of the shock reservoir (E).



← EXAMPLE SERIAL NUMBER SHEET. PLEASE REFER TO YOUR ACCESSORY KIT FOR YOUR OWN SERIAL NUMBER SHEET



GETTING TO KNOW YOUR TAZER MX **INTENSE BICYCLE IDENTIFICATION**

It's important to keep track of your Tazer MX's serial number as well as the serial numbers of its important components for warranty and replacement purposes. Included in your Accessory Kit is a serial number sheet. Please keep this in a safe place.

Please also note down and register the unique identifiers of your battery's key below.

You will need to know the key type, code and profile. It means that if you ever lose your key you can simply and quickly order a replacement.

KEY TYPE:

KEY CODE:

KEY PROFILE:

To register your key or to order a new one, please visit www.mobilesecurity.abus.com.

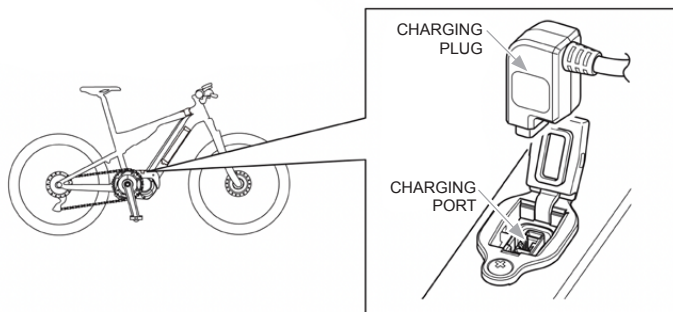
WARNING! USE THE SUPPLIED KEY TO REMOVE THE BATTERY FROM THE FRAME, TO PERFORM A BATTERY SWAP OR FOR CHARGING. DO NOT MOVE OR ALTER THE BATTERY FRAME MOUNTS FROM THEIR FACTORY POSITION IN THE DOWNTUBE AS THIS COULD RESULT IN SUBPAR PERFORMANCE, MAY LEAD TO BATTERY AND OR FRAME DAMAGE AND IS NOT COVERED UNDER WARRANTY. PLEASE CONTACT THE INTENSE TECH CENTER IF YOU HAVE ANY QUESTIONS RELATING TO THE BATTERY MOUNTS.

HOW TO USE YOUR TAZER MX
GET CHARGED

The battery in your Tazer MX is not fully charged at the time of purchase, so before you can use your new bike you will need to charge it using the supplied SHIMANO battery and its dedicated charger. The SHIMANO 504 Wh battery found in the Tazer MX Alloy Expert will take between 3-5 hours to fully charge. For the Tazer MX Alloy Pro, with its 630 Wh battery, that time is 6 hours for a full charge.

You can charge the battery in the frame or you can take it out to charge elsewhere. See pages 12-13 for how to remove the battery from the frame.

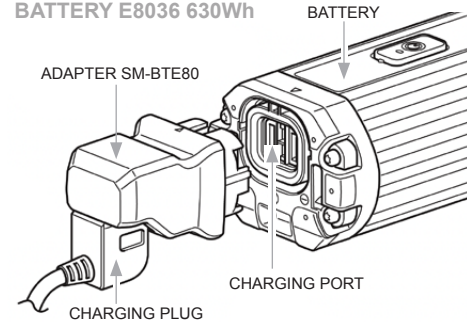
To charge the battery when it is in the bike firstly locate the charging port in your bikes frame. For the Tazer MX Alloy this is located above the motor where the downtube meets the seattube above the lower link. Simply pull back the rubberized cover to access the charging port, then insert the charging plug into the charging port. The charging plug will only fit into the charging port one way. Plug the charging cable into your wall outlet.



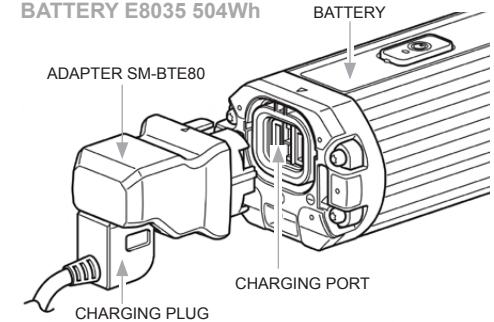
Both the SHIMANO Battery and SHIMANO Charger indicator lights will light up. The yellow charger light shows that it is charging correctly. The green lights on the battery itself will blink while charging and become completely solid when fully charged.

When the battery is completely charged, both it and the charger will turn off, but it is good practice to unplug and turn the charger off once the battery is fully charged. You can also remove the battery from the bike (see page 13) and charge using the ports illustrated below.

TAZER MX PRO
 BATTERY E8036 630Wh



TAZER MX EXPERT
 BATTERY E8035 504Wh



IMPORTANT POINTS REGARDING YOUR BATTERY

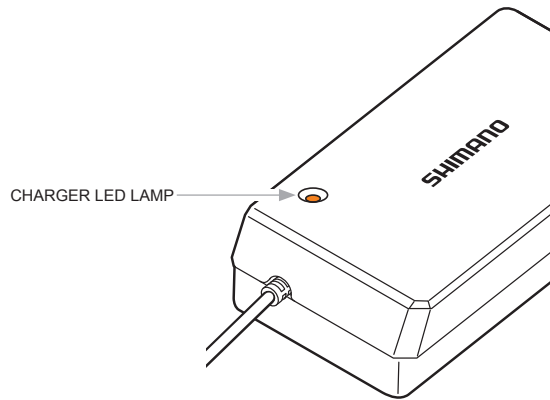
We do not recommend that you charge your battery overnight.

Charging can be carried out at any time regardless of the amount of charge remaining, but we recommend you charge the battery until it is fully charged.


Only use the dedicated SHIMANO charger that came with your bike when recharging the battery.


If the battery has become fully spent, charge it as soon as possible. If you leave the battery without charge it will deteriorate.


If your Tazer MX will not be ridden over an extended period of time, store it away with approximately 70% battery capacity remaining. Also take care not to let the battery become completely empty by charging it every six months.



AS CHARGING STARTS THE LED LAMP ON THE CHARGER LIGHTS UP.

- 
LIT UP Charging (and within 1 hour after completion of charging)

- 
BLINKING Charging Error

- 
TURNED OFF Battery disconnected (1 hour or more after completion of charging)

TURNING ON YOUR TAZER MX eBIKE

The power ON/OFF button is located on the toptube, toward the front of your bike. It is easy to find and simple to use. Press and hold the power button until you hear an audible 'beep'. The green LED lights on the Power ON/OFF button will come on at this stage, and the computer display on your handlebars will be activated.

Please note that the battery cannot be turned on whilst it is charging, if the bike is moving or if you have your feet on the pedals. A 'system error' may occur (see page 60).

To turn off. With your feet off the pedals, simply hold down the power button for a few seconds until the system shuts down. The handlebar display will go blank.

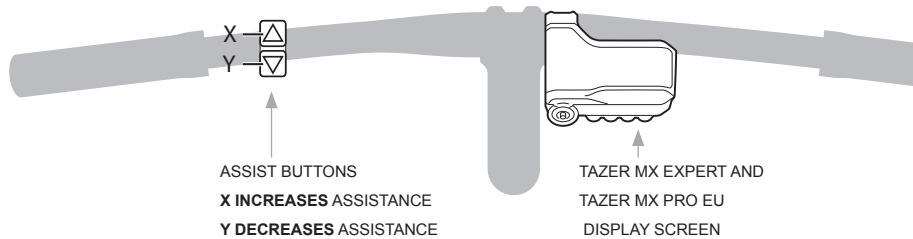


AUTOMATIC 'POWER OFF' FUNCTION

If the bicycle has not moved for over 10 minutes, the power will automatically turn off.

USING THE POWER MODES

Your Tazer MX motor comes with three main assist modes: BOOST, TRAIL and ECO, and a fourth WALK mode. You can easily toggle between the three modes using the Assist Switch that's located on the left-hand side of your handlebars. Assistance only starts when you begin to pedal. You can switch between modes at any time depending on the amount of assistance you require.



US Tazer MX Pro models utilize a larger display screen (SC-EN610). The modes displayed on the screen can still be selected via the handlebar mounted assist switch.

IMPORTANT: THE LAW AND eBIKES

Your Tazer eBike speed is restricted by law. The limit in the USA is 20mph (32km/h) and in Europe it is 15.5mph (25km/h). When these speeds are reached the motor power will cut out. Power to the motor will only return when the speed drops below those limits.

BOOST

BOOST Mode is a lot of fun, especially on long steep climbs and if you're looking to minimize rider effort for a fantastic riding experience. BOOST will consume the battery the fastest.

TRAIL

TRAIL mode is the primary mode you will find yourself using for most single track riding. It offers all the power of BOOST mode, however it does require more input from the rider. This truly is the most realistic assisted riding experience available. TRAIL is a great balance of efficiency and power based on the needs of the rider. This makes TRAIL mode require less battery than BOOST and will give the rider more range.

ECO

ECO mode is all about efficiency and providing the most range out of the available modes. With this it does provide the least amount of assistance, which will require more input from the rider to maintain speed. This mode is great for long days on the bike where battery conservation needs to be considered or as a training and fitness tool.

WALK

WALK mode is very useful if you are out exploring and find yourself in a situation where you need to walk your bike up a hill. This mode will help to take care of the weight of the bike and make the push up the hill much easier.

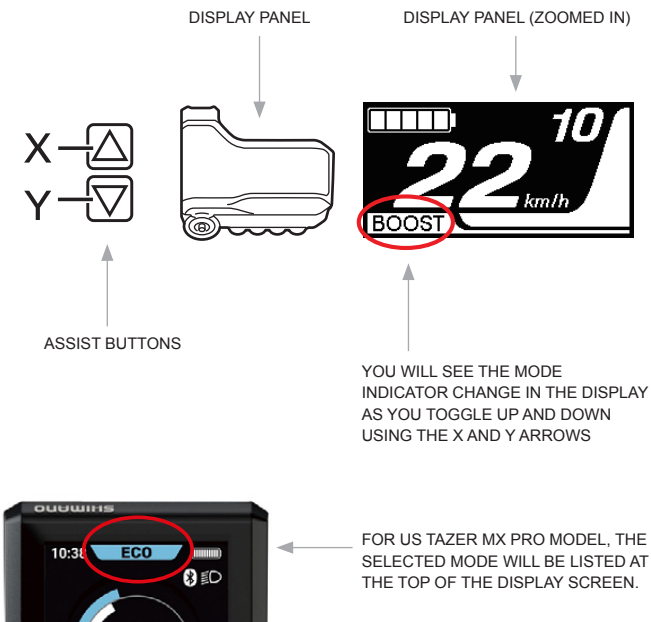
All of the riding modes are extremely tunable through the SHIMANO Steps App. The app allows the rider the ability to set up two separate tune profiles and have the ability to adjust between the two on the fly.

When considering the expected range for each one of these modes it is important to note that there are many factors that introduce variables. Factors such as rider weight, riding style, gear selection, soil type, hilly terrain and tire pressure, etc.

CHANGING THROUGH THE MODES

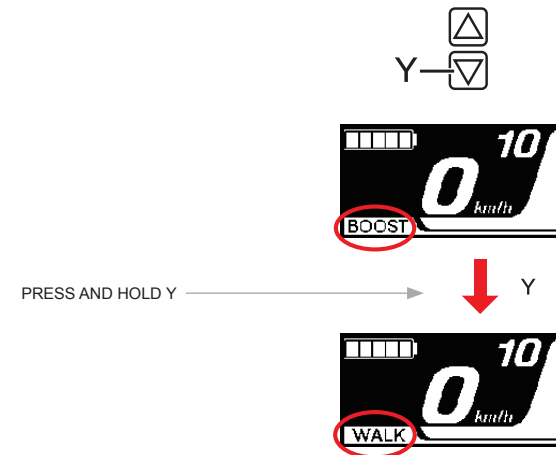
You only get assistance from the motor when you start to pedal. The motor 'kicks in' almost immediately with a nice, smooth transition. On the Assist Switch controller use the up and down arrows to move between the different modes.

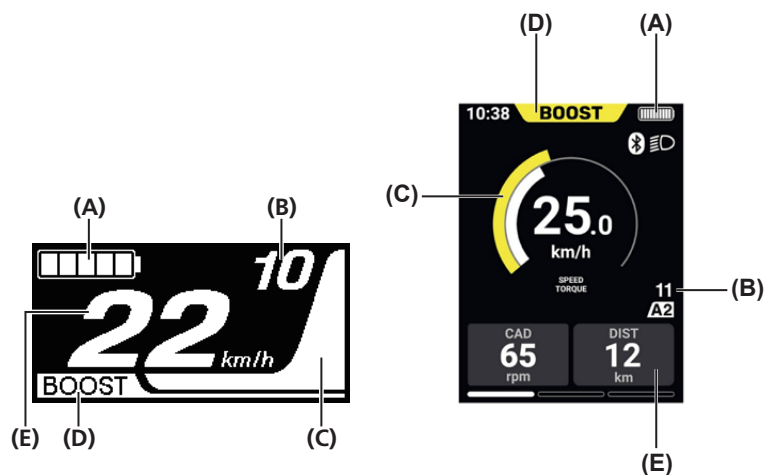
When you first turn the battery on, the display will light up and show 'OFF' in the bottom left corner. Use the up arrow (X) to move into ECO mode, press it again for TRAIL, and again for BOOST. Pressing the down arrow (Y) will take you back down through those modes.



In a safe area, away from traffic, go through the different modes as you pedal around, feeling the different levels of assistance. As you change between the modes you can keep pedaling, and don't forget to try the different modes in different gears to get the best feel for your bike.

To use the WALK function you need to be off the bike, with your feet off the pedals and the bike stationary. Press and hold the down arrow (Y) until WALK appears in the display. Release the down button, then press and hold it down to activate the motor into WALK mode. The level of assistance is only small (a max of 3.7mph), and it will depend on what gear you are in, but it can be a useful helping hand in certain situations.





*Tazer MX Expert and Tazer MX Pro EU display screen

*Tazer MX Pro US display screen

SCREEN DISPLAY

The Screen Display is your ‘eyes on the system’. It shows information such as what mode you are in, the speed you are going and more.

A. Battery level indicator

Displays the current battery level.

B. Gear position

Displays the current set gear position. Only displays when electronic gear shifting is in use. The Tazer MX comes with mechanical shifting as standard.

C. Assist gauge

Assistance output indicator.

D. Assist mode display

Displays the current assist mode.

E. Current speed

This can be switched between mph and km/h.

BATTERY LEVEL INDICATOR

The battery level indicator is located in the top left of the display screen. You can monitor the battery level as you ride.

BATTERY LEVEL INDICATOR ON DISPLAY UNIT	
BATTERY LEVEL INDICATION*1	BATTERY LEVEL
	81% – 100%
	61% – 80%
	41% – 60%
	21% – 40%
	1% – 20%*
	0%

*The battery level indicator blinks red when remaining battery level falls to this level.

SHIMANO'S E-TUBE APP



Your Tazer MX comes with pre-set 'profiles', which we believe to be the perfect level of power and assistance in each of the modes for this model of bike. The Tazer MX EXPERT (SHIMANO EP600 motor) comes with one pre-set profile, and the Tazer MX PRO (SHIMANO EP800 motor for the EU and EP801 for the US) has two pre-set profiles.

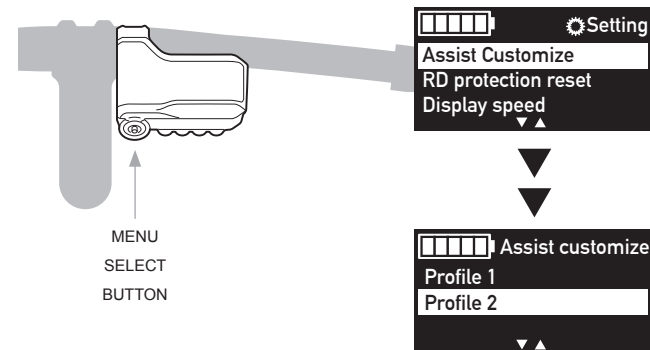
For those of you who would like to fully customize your bike's settings to match your riding style SHIMANO's E-Tube App allows you to truly personalize your riding experience. Simply download the App to your smartphone, enter your details and connect to your bike via Bluetooth.

You will then be able to work your way through the menu where you can do things like tweak the motor unit's performance and assist modes, store different rider profile settings, identify error codes and get solutions, update firmware, check for latest releases and the newest functions, etc. Please note that the Tazer MX EXPERT model has slightly less tunability within in the SHIMANO E-Tube App than the PRO model.

The most important adjustments for the motor output are the assist characteristic (the amount the motor multiplies the rider input), the maximum torque (the 'pulling force') and assist characteristic at the start (how quickly the bike reacts to rider input). It can be tricky to balance all these elements, and it is best to adjust one setting at a time and evaluate how it feels.

HOW TO ACCESS THE TWO PRE-SET CUSTOM PROFILES

With the power system on (and no weight on the bike), press and hold the selection button on the bottom of the display screen to open the 'Setting' menu. Using the Assist Switch controller (mode selector) on the left of your handlebar, scroll down to the 'Assist Customize' option. Using the selection button on the bottom of the display, select 'Assist Customize'. Using the mode selectors on the left of the handlebar, select your desired 'Profile'.



E-Tube App Link
www.e-tube.shimano.com
 (scan QR code for direct access)

Additional Links:
www.e-tubeproject.shimano.com
www.e-tubeproject.shimano.com/application

TROUBLESHOOTING

BATTERY LED ERROR INDICATORS

System errors and similar warnings are indicated by the battery LED through various lighting patterns.

BATTERY ERROR INDICATOR			
LIGHTING PATTERN	ERROR INDICATION TYPE	INDICATION CONDITION	RECOVERY
	SYSTEM ERROR	Communication error with the bicycle system.	Make sure that the cable is not loose or improperly connected. If the situation does not improve, contact the place of purchase.
	TEMPERATURE PROTECTION	If the temperature exceeds the guaranteed operating range, the battery output is turned off.	Leave the battery in a cool place away from direct sunlight until the internal temperature of the battery decreases sufficiently. If the situation does not improve, contact the place of purchase.
	SECURITY AUTHENTICATION ERROR	This is displayed if a genuine drive unit is not connected. This is displayed if any of the cables are disconnected.	Connect a genuine battery and drive unit. Check the condition of the cables. If the situation does not improve, contact the place of purchase.
	CHARGING ERROR	This is displayed if an error occurs during charging.	Remove the charger from the battery and press the power button. If an error appears contact the place of purchase.
	BATTERY MALFUNCTION	Electrical failure inside the battery.	Connect the charger to the battery and then remove the charger. Press the power button with only the battery connected. If an error appears with only the battery connected, contact the place of purchase.

NO LIGHT
 LIT UP
 BLINKING

WARNING AND ERROR MESSAGES ON THE CYCLE COMPUTER DISPLAY

Warning and Error messages are displayed at the top in the middle of the computer display screen. These messages usually start with a 'W' and help you identify the problem. Some of the most common error messages can be found printed on the inside of the battery hatch door.

WARNING MESSAGE ON THE DISPLAY SCREEN. THIS DISAPPEARS ONCE THE ERROR IS FIXED.



WARNING MESSAGES ON DISPLAY

CODE	DISPLAY PRECONDITIONS	OPERATIONAL RESTRICTION	REMEDY
W010	Temperature of the drive unit is higher than it is during times of normal operation.	Power assistance may be lower than usual.	Stop using the assist function until the temperature of the drive unit drops. If the situation does not improve contact the place of purchase.
W011	The travelling speed cannot be detected.	The maximum speed up to which power assistance is provided may be lower than usual.	Check that the speed sensor is properly installed. If the situation does not improve contact the place of purchase.
W013	Initialization of torque sensor was not completed successfully.	Power assistance may be lower than usual.	With your foot off the pedal, press the battery power button and turn on the power again. If the situation does not improve contact the place of purchase.
W032	An electronic derailleur may have been installed in place of a mechanical derailleur.	Power assistance provided in (WALK) mode may be lower than usual. The walk assist function may not be able to be used in certain regions.	Reinstall the derailleur for which the system is configured to support. If the situation does not improve contact the place of purchase.



For a complete list of **SHIMANO Error Codes** and how to fix them scan the code.



MAINTENANCE

You have purchased a high-performance bicycle which requires a certain level of service and maintenance to sustain the level of performance your frame was designed around. Proper care will also ensure the bike is safe to ride at all levels. It is important to read and understand the care information as well as follow the maintenance schedule and inspect your bicycle before each ride. This will help to limit or avoid costly repairs and will also help to avoid injury due to service neglect and component failure.

CARE

- Use a soft cloth with warm soapy water to clean the aluminium surfaces. Do not use high pressure washers, abrasive cloths or cleaner.
- Be sure all frame surfaces in contact with cables are protected. Cable housing rubbing on the frame can wear over time.
- Be sure brake levers, handlebar ends and the fork crown do not contact the frame at full rotation.
- Never clamp any part of the frame in a bike stand or car rack.
- Always inspect your frame if you experience any chain suck.
- Always inspect your frame in full after a crash to be sure there is no damage. Look for cracks or dents. If you discover damage to any degree it's best to have your frame inspected by a qualified INTENSE Tazer MX dealer. Any direct impact to the frame can cause serious structural damage.
- Use high-grade waterproof grease on seatpost, BB and headset bearing contact areas.
- Be sure to follow all recommended torque settings.
- Use only genuine replacement parts for safety-critical components.

TAZER MX MAINTENANCE SCHEDULE

	ACTION	EVERY RIDE	500 MILES OR 1MTH	2000 MILES OR 6 MTHS	4000 MILES OR 1 YR
TIRES	CHECK AIR PRESSURE, INSPECT TREAD AND SIDEWALLS FOR TEARS AND PUNCTURES	X			
CHAIN	BRUSH OFF AND LUBRICATE	X			
BRAKES	SQUEEZE BRAKES AND CONFIRM FUNCTION	X			
GENERAL	CLEAN COMPLETE BIKE OF MUD AND DEBRIS	X			
HEADSET	CHECK ADJUSTMENT		X		
BOX LINK	ADD GREASE THRU ZERK FITTINGS		X		
FRAME PIVOTS	CHECK TORQUES		X		
SPOKES	INSPECT FOR DAMAGE, CHECK TENSION		X		
SHOCK & FORK	CHECK AIR PRESSURE, INSPECT FOR LEAKS		X		
CHAIN	INSPECT FOR DAMAGE AND CHECK FOR STRETCHING		X		
BRAKES	REPLACE BRAKE PADS			X	
DERAILLEUR	INSPECT CABLES AND LUBE			X	
SEATPOST	CLEAN AND REGREASE INTERFACE WITH FRAME			X	
FRAME PIVOTS	REMOVE PIVOT BOLTS, CHECK BEARINGS FOR PITTING AND WEAR			X	
HEADSET	DISASSEMBLE STEM, HEADSET AND FORK. CHECK BEARINGS FOR PITTING AND WEAR			X	
HUBS	PULL WHEELS OFF, CHECK HUB BEARINGS FOR PITTING AND WEAR			X	
BOTTOM BRACKET (BB)	REMOVE CRANKARMS AND CHECK BB BEARINGS FOR PITTING AND WEAR			X	
GENERAL	COMPLETE TUNE-UP				X

TAZER MX

FRAME FEATURES

- Rear Travel: 155mm/6.1" with Metric 185mm x 55mm stroke shock
- Front Wheel size: 29" x 2.60"
Rear Wheel size: 27.5" x 2.80"
- Progressive Shock Curve
- Integrated 148mm x 12mm dropouts
- Internal Cable Routing
- Flak Guard: Downtube, Chainstay, Seatstay and Seattube protection
- Molded Rear Fender
- Tapered Headtube
- Replaceable Zerk Grease Port on back of Lower Link
- Max Bearings and dedicated Frame Hardware
- Molded Skid Plate
- Removable Battery

TAZER MX

COMPONENT SPEC

TAZER MX PRO

FORK	OHLINS RXF 38 M2, 29", 1.5 TAPERED STEERER, 170MM TRAVEL/6.7", 583MM AXLE TO CROWN, 44MM OFFSET
SHOCK	ÖHLINS TTX22M COIL, 185MM X 55MM METRIC SHOCK, TRUNNION WITH 20MM X 8MM REDUCERS ON SHOCK, SPRING 548LB S/M AND 640LB L/XL, 155MM REAR TRAVEL
SEATPOST	31.6MM
HEADSET	ACROS BLOCKLOCK-ZS56
REAR AXLE	BOOST 148MM X 12MM
BRAKE MOUNT	POST MOUNT FOR 200MM ROTOR
MOTOR	SHIMANO STEPS EP800 FOR THE EU AND EP801 FOR THE US
BATTERY	US: BT-EN806, EU: BT-E8036 - 630 WH
DISPLAY	SHIMANO SC-EN610 DISPLAY CYCLE COMPUTER (US), SHIMANO SC-EN6010 (EU), 35MM CLAMP BAND DIAMETER
MODE BUTTON	US: EW-SW310, EU: SW-EM800-L ASSIST SWITCH

TAZER MX EXPERT

FORK	DVO DIAMOND E3, 29", 1.125"/1.5" TAPERED STEER, 160MM TRAVEL/6.3", 573.7MM AXLE TO CROWN, 44MM OFFSET
SHOCK	DVO JADE X E3 COIL, 185MM X 55MM METRIC SHOCK, TRUNNION WITH 20MM X 8MM REDUCERS ON SHOCK, SPRING 550LBS (S/M), 650LBS (L/XL), 155MM REAR TRAVEL
SEATPOST	31.6MM
HEADSET	ACROS BLOCKLOCK-ZS56
REAR AXLE	BOOST 148MM X 12MM
BRAKE MOUNT	POST MOUNT FOR 200MM ROTOR
MOTOR	SHIMANO STEPS EP600 MOTOR
BATTERY	BT-EN805-L BATTERY 504WH
DISPLAY	SHIMANO SC-EN600 DISPLAY/CYCLE COMPUTER, 35MM CLAMP BAND DIAMETER
MODE BUTTON	SHIMANO EW-SW310 ASSIST SWITCH

*US SPEC SHOWN IN PHOTO



TAZER MX ALLOY PRO US SPEC

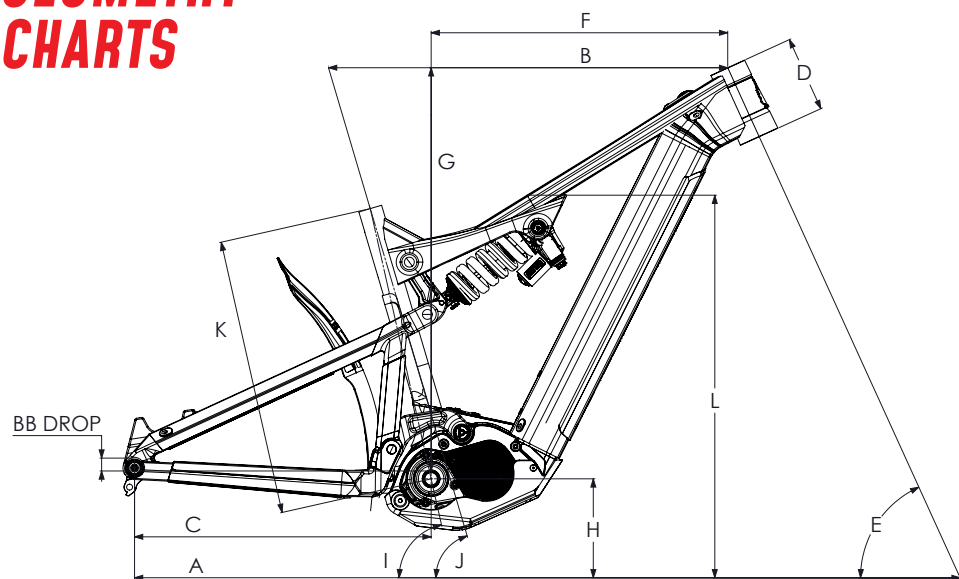
FRAME	ALLOY FRONT AND REAR TRIANGLE WITH INTERNAL CABLE ROUTING
FORK	OHLINS RXF 38 M2 FORK, SINGLE CROWN, 170MM TRAVEL, AIR SPRING SYSTEM
SHOCK	ÖHLINS TTX22M COIL, 155MM TRAVEL, HIGH/LOW SPEED COMPRESSION ADJUSTMENT, REBOUND ADJUSTMENT - SPRING 548LB (S/M) AND 640LB (L/XL)
MOTOR	SHIMANO STEPS EP800 FOR EU AND EP801 US
BATTERY	US: BT-EN806, EU: BT-E8036 - 630 WH BATTERY LOCK W/2 KEYS
DISPLAY	SHIMANO STEPS LCD, BLUETOOTH COMPATIBLE
BRAKES	TRP HD-M846 DH-R EVO, 203MM ROTORS F/R
SHIFTER	TRP EVO 12 12SP
DERAILLEUR	TRP EVO 12 12SP
CRANKS	SHIMANO FC-M8150 165MM / 34T (US), E13 E*SPEC PLUS 165MM, 34T (EU)
CASSETTE	E*THIRTEEN HELIX PLUS 12SP, 9-50T
CHAIN	KMC E12 12SP
WHEELSET	E*THIRTEEN E*SPEC ALLOY RIM 30MM RIM WIDTH X 29" FRONT / 35MM RIM WIDTH X 27.5" REAR
HUBS	INTENSE E-SPECIFIC ALLOY HUBS
TIRES	PIRELLI SCORPION™ E-MTB S 29 X 2.60" / PIRELLI SCORPION™ E-MTB R 27.5 X 2.80"
SEATPOST	INTENSE RECON DROPPER POST - 125MM LENGTH (S/M) 150MM LENGTH (L/XL)
SADDLE	SDG BEL-AIR V3
HANDLEBAR	RENTHAL FATBAR 35 800MM, 30MM, RISE
STEM	INTENSE RECON 35MM OD X 45MM LENGTH
GRIPS	ODI ELITE FLOW
WEIGHT	26.4 KGS / 58LBS 30Z (SIZE S/M, TUBELESS, WITH PEDALS)



TAZER MX ALLOY EXPERT

FRAME	ALLOY FRONT AND REAR TRIANGLE WITH INTERNAL CABLE ROUTING
FORK	DVO DIAMOND E3, SINGLE CROWN, 160MM TRAVEL
SHOCK	DVO JADE X E3 COIL, 155MM TRAVEL, HIGH/LOW SPEED COMPRESSION ADJUSTMENT, REBOUND ADJUSTMENT - SPRING 550LB (S/M) 650LB (L/XL)
MOTOR	SHIMANO STEPS EP600
BATTERY	BT-E8035, FOR STEPS, 504WH. BATTERY LOCK W/2 KEYS
DISPLAY	SHIMANO SC-EN600
BRAKES	TRP HD-M843 TRAIL EVO, 203MM ROTORS F/R
SHIFTER	SHIMANO DEORE 11SP
DERAILLEUR	SHIMANO DEORE 11SP
CRANKS	E*THIRTEEN E*SPEC 34 TOOTH CHAINRING 165MM LENGTH
CASSETTE	E*THIRTEEN TRS PLUS 11SP, 9-46T
CHAIN	KMC E11S
WHEELSET	WTB ST I30 TCS 2.0 30MM, 29", WTB ST I35 TCS 2.0 35MM, 27.5"
HUBS	INTENSE MTN (INTENSE E-MTN ALLOY HUBS)
TIRES	MAXXIS MINION DHR II MAXX TERRA 3C EXO+ 29" X 2.60" FRONT / 27.5" X 2.80" REAR
SEATPOST	INTENSE RECON DROPPER POST - 125MM LENGTH (S/M) 150MM LENGTH (L/XL)
SADDLE	WTB VOLT
HANDLEBAR	INTENSE RECON 35MM OD X 800MM WIDE, 30MM RISE
STEM	INTENSE 35MM OD X 45MM LENGTH
GRIPS	INTENSE LOCK-ON
WEIGHT	25.9 KGS / 57LBS 1.5OZ (SIZE S/M, TUBELESS, WITH PEDALS)

TAZER MX
**GEOMETRY
CHARTS**



TAZER MX PRO

SIZE	SMALL/MEDIUM	LARGE/X-LARGE
WHEELBASE: A	1233 MM / 48.5"	1285 MM / 50.6"
TOPTUBE LENGTH: B	609 MM / 24"	664 MM / 26"
CHAINSTAY LENGTH: C	450 MM / 17.7"	450 MM / 17.7"
HEADTUBE LENGTH: D	115 MM / 4.5"	125 MM / 4.9"
HEADTUBE ANGLE: E	64°	64°
REACH: F	435 MM / 17.1"	481 MM / 18.9"
STACK: G	634 MM / 24.9"	646 MM / 25.4"
BB HEIGHT: H	348 MM / 13.7"	348 MM / 13.7"
BB DROP	17 MM / 0.65"	17 MM / 0.65"
SEATTUBE ANGLE (EFFECTIVE): I	74.5°	74.5°
SEATTUBE ANGLE (ACTUAL): J	72.2°	72.2°
SEATTUBE LENGTH: K	420 MM / 16.5"	470 MM / 18.5"
STANDOVER HEIGHT: L	816 MM / 32"	836 MM / 32.9"

TAZER MX ALLOY EXPERT

SIZE	SMALL/MEDIUM	LARGE/X-LARGE
WHEELBASE: A	1226 MM / 48.3"	1281 MM / 50.4"
TOPTUBE LENGTH: B	608 MM / 23.9"	662 MM / 26"
CHAINSTAY LENGTH: C	450 MM / 17.7"	450 MM / 17.7"
HEADTUBE LENGTH: D	115 MM / 4.5"	125 MM / 4.9"
HEADTUBE ANGLE: E	64.5°	64.5°
REACH: F	437 MM / 17.2"	481 MM / 18.9"
STACK: G	632 MM / 24.9"	641 MM / 25.2"
BB HEIGHT: H	348 MM / 13.7"	348 MM / 13.7"
BB DROP	17 MM / 0.67"	17 MM / 0.67"
SEATTUBE ANGLE (EFFECTIVE): I	75°	75°
SEATTUBE ANGLE (ACTUAL): J	72.5°	72.5°
SEATTUBE LENGTH: K	420 MM / 16.5"	470 MM / 18.5"
STANDOVER HEIGHT: L	830 MM / 32.6"	845MM / 33.3"

GEOMETRY NOTE

MX PRO: Geometry taken at 583mm axle to crown length and 44mm fork offset.

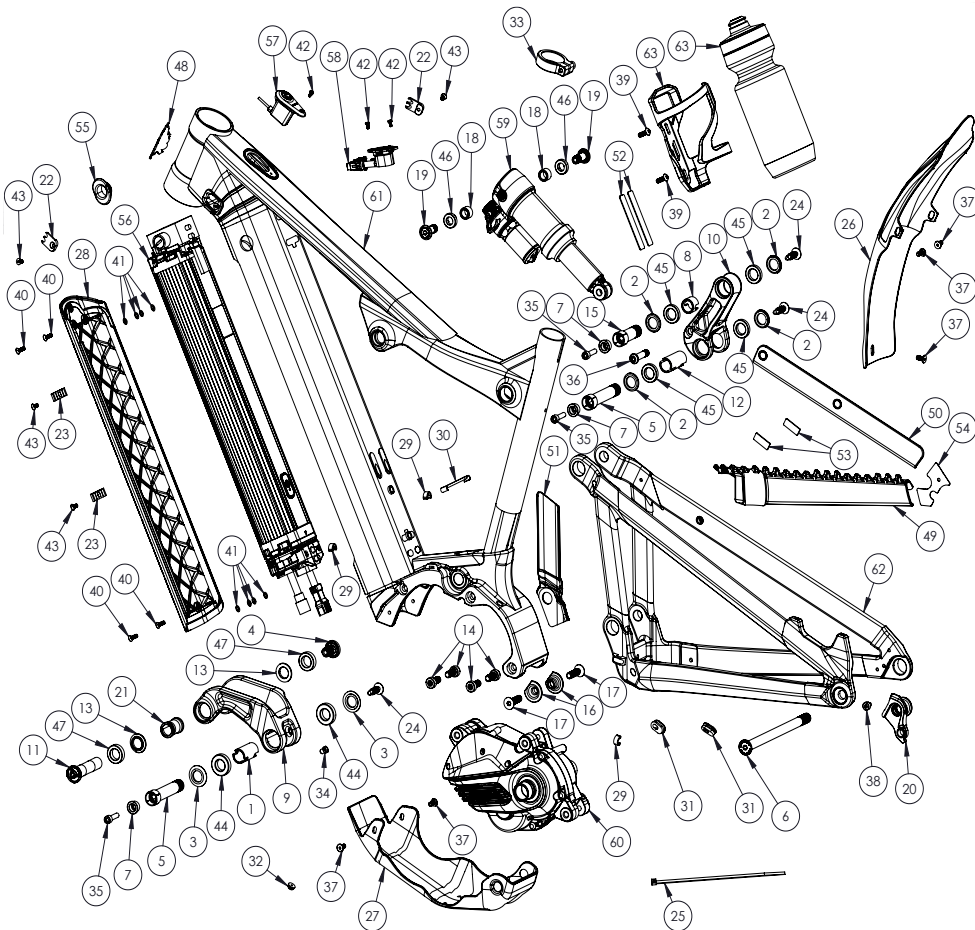
MX EXPERT: Geometry taken at 573.7mm axle to crown length and 44mm fork offset.

COMPONENT SPEC NOTE:

The Tazer MX EXPERT and PRO are designed around the use of a single chainring only. Use of a double or triple ring set will not allow proper clearance with the frame.

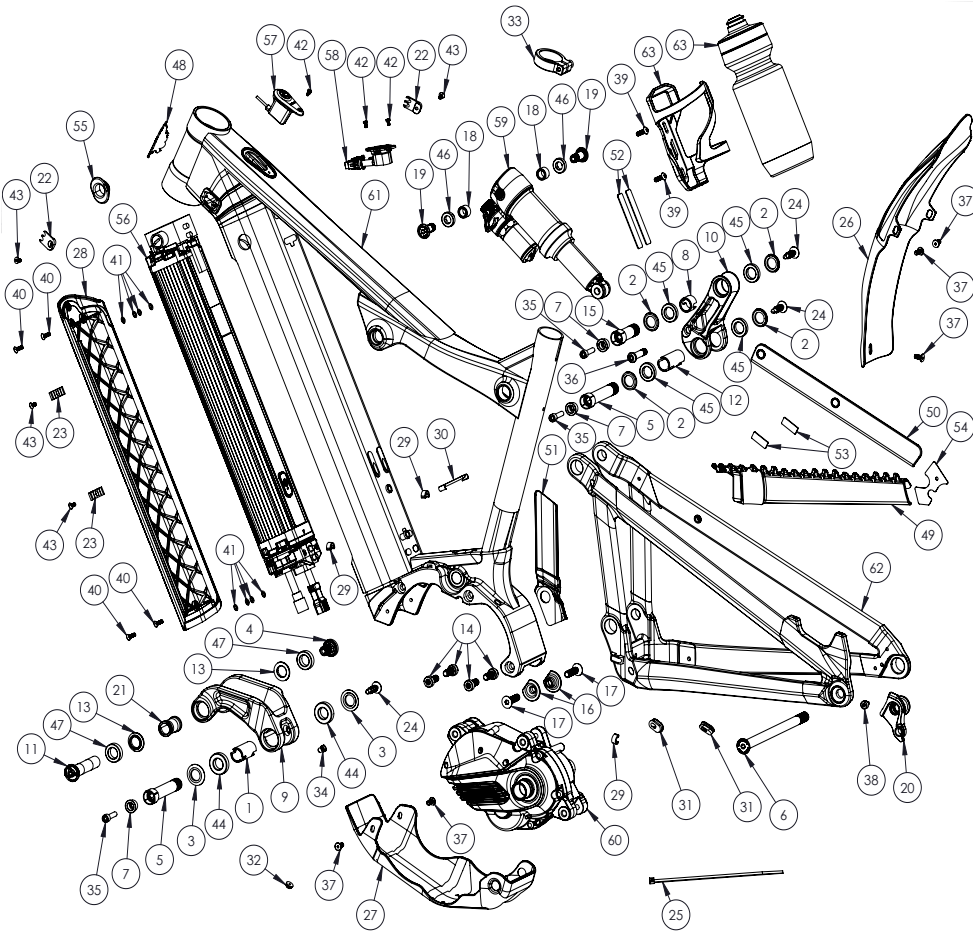
Please contact Customer Service for any specific fitment questions at techcenter@intensecycles.com

EXPLODED VIEW AND PARTS TAZER MX ALLOY PRO



ITEM NO.	ITEM	PART NUMBER	DESCRIPTION	QTY.	TORQUE SPEC.
1	Crush tube	130754	M16C Lower Link crush tube	1	N/A
2	Bearing Cap 24mm OD	130765	Cap Bearing Blk	4	N/A
3	Bearing Cap	130778	Cap Bearing Blk	2	N/A
4	Bolt Shoulder	130785	Bolt Shoulder Fine Thread	1	20 Nm / 175 in-lbs
5	Bolt Main Pivot	130795	Bolt Main Pivot 1.5T M16 Blk	2	7 Nm / 60 in-lbs
6	Rear Axle	130799	Axle Rear 148 x 12mm Boost Blk	1	11 Nm / 100 in-lbs
7	Cone Adjuster	130807	Spacer Cone Adjuster Blk, 8.3 mm Height	3	N/A
8	Crush Tube Tazer	130847	Crush Tube Top Link Tazer	1	N/A
9	Forged Lower	130848	Forged Lower Link Tazer, Blk	1	N/A
10	Forged Top Link Tazer	130849	Forged Top Link Tazer, Blk	1	N/A
11	Axle Lower	130850	Axle Lower Pivot Tazer	1	20 Nm / 175 in-lbs
12	Crush Tube Tazer	130851	Crush Tube Top Link Tazer	1	N/A
13	Pivot Axle Spacer	130860	Pivot Axle Spacer Tracer	2	N/A
14	Drive Unit Bolt	130862	Drive Unit Bolt M8 x 18 with T40 Broach	4	10 Nm / 88 in-lbs
15	Collet Bolt Top Link	130863	Collet Bolt Top Link/ Front Triangle, Tazer	1	7 Nm / 60 in-lbs
16	Skidplate Spacer	130867	Skidplate Spacer, Tazer	2	N/A
17	Skidplate Motor Bolt	130868	M8 x 1.25 x 30 mm, Skidplate Motor Bolt, Tazer	2	10 Nm / 88 in-lbs
18	Spacer Trunnion Mount	130869	Spacer 10 mm Length, Trunnion Mount Tazer	2	N/A
19	Trunnion Bolt	130870	Bolt Shoulder 22.6 mm length, Trunnion Shock Tazer	2	16 Nm / 140 in-lbs
20	Derailleur Hanger	130897	UDH Universal Derailleur Hanger, GW, P/N 411H0300001	1	25 Nm / 221 in-lb
21	Pivot Tube	130911	Motor Mount Pivot Tube, Tazer Alloy	1	N/A
22	Guide Plate	130912	Cable Routing Guide Plate, Tazer Alloy, 12-174-000	2	N/A
23	Cable Guide Clamp	130913	Cable Guide Clamp, Tazer Alloy, DT Cables	2	N/A
24	Push Rivet	140038	Push Rivet SR-0817BK	3	N/A
25	Zip Tie	140053	Zip Tie, Lower Cable Guide	1	N/A
26	Rear Fender	140054	Tazer Rear Fender	1	N/A
27	Skid Plate	140076	Skid Plate EP8 BLK, Tazer Alloy	1	N/A
28	Battery Door	140078	Tazer Alloy Battery Door	1	N/A
29	Clip Plastic	310001	Clip for Single Guide Plastic	3	N/A
30	Jagwire cable guide	310011	Jagwire Cable Guide CC1010AB, 2 Guide	1	N/A

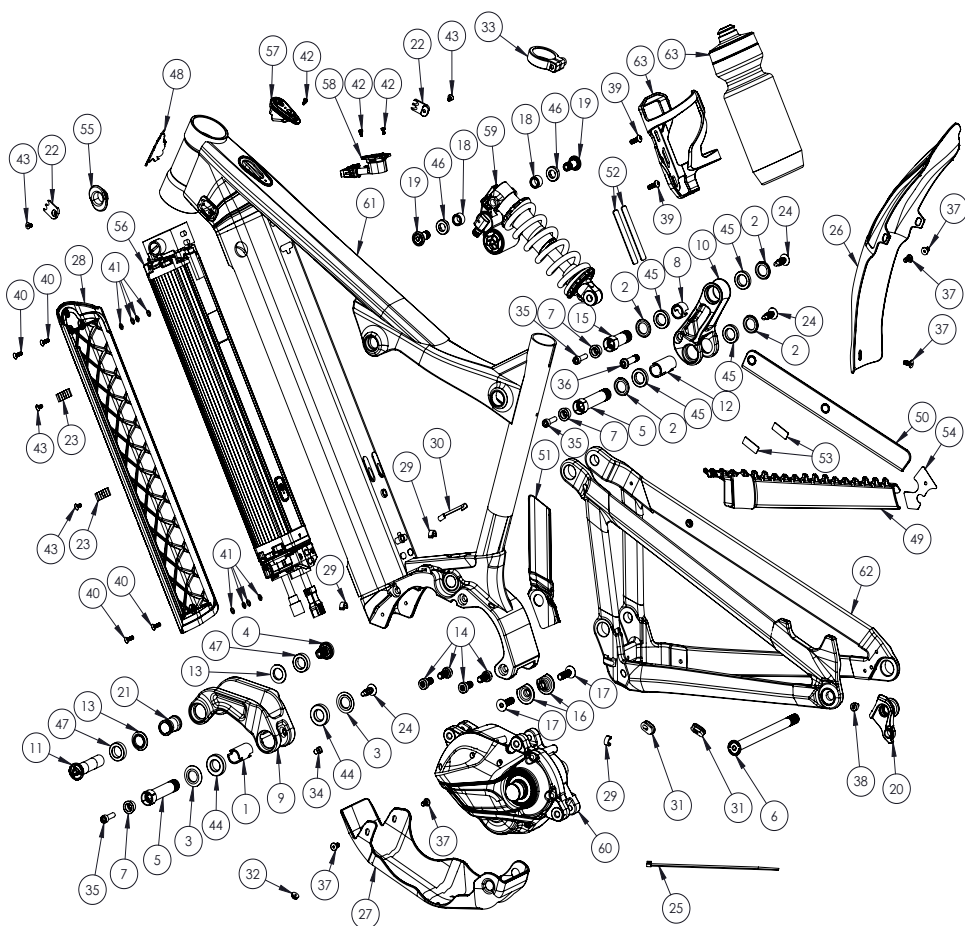
EXPLODED VIEW AND PARTS. TAZER MX PRO ALLOY CONTINUED....



ITEM NO.	ITEM	PART NUMBER	DESCRIPTION	QTY.	TORQUE SPEC.
31	Cap W/Hole	310012	Cap W/Hole VLD-150	2	N/A
32	Grommet	310013	Jagwire CCN009-5, Plug Internal Frame Routing, 2.5 mm E-wire	1	N/A
33	Seat Clamp	340339	Seat Clamp Tazer Alloy, GW #CSC0040	1	6-8 Nm / 53-70 in-lbs
34	Zerk Fitting M6 x 1.0	401011	Zerk Fitting M6 x 1.0	1	5 Nm / 45 in-lbs
35	SHCS M6 x 22	410009	SHCS, Socket Head, M6 x 22	3	14 Nm / 125 in-lbs
36	SHCS M8 x 35	410045	Bolt SHCS, M8 x 35 Steel	1	16 Nm / 140 in-lbs

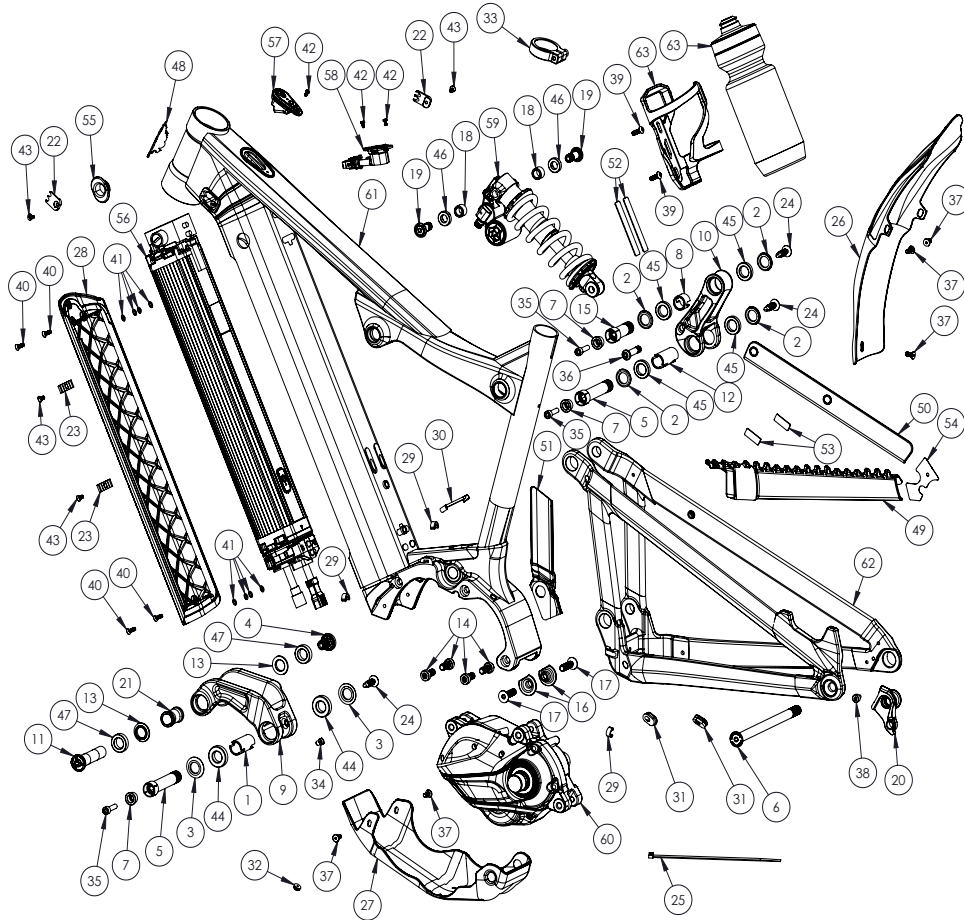
ITEM NO.	ITEM	PART NUMBER	DESCRIPTION	QTY.	TORQUE SPEC.
37	Low Profile M5 X 11	410068	Low Profile Head Screw, M5 x 11, 2.5 Hex, Black	5	Tazer Fender Screws 1 Nm / 9 in-lbs Tazer Skidplate Screws 2 Nm / 18 in-lbs
38	Hanger Hardware	410070	Hanger Stop, M4 x 8 x 10mm OD, Tracer 279	1	2 Nm / 18 in-lbs
39	BHCS M5 X 15	410072	BHCS, Button Head, M5 x 15	2	2 Nm / 18 in-lbs
40	FHCS M4 x 12	410080	FHCS, Flat Head, M4 x 0.7 x 12 Stainless Steel	4	2 Nm / 18 in-lbs
41	Flat Washer	410081	M4 Flat Washer, Stainless Steel	8	N/A
42	Socket Head, M3 x 0.5	410082	SHCS, Socket Head, M3 x 0.5 x 6 Stainless Steel, Low Profile	3	1 Nm / 9 in-lbs
43	FHCS M4 x 0.7	410083	FHCS, Flat Head, M4 x 0.7 x 8, Black Oxide	4	3 Nm / 26 in-lbs
44	Bearing 7902	430007	Bearing 7902-1ZS-MAX	2	N/A
45	Bearing 6802	430008	Bearing 6802 LLU MAX	4	N/A
46	Bearing 6800	430011	Bearing 6800 LLU MAX	2	N/A
47	Bearing 3802	430014	Bearing 3802 LLU MAX, Double Row 15 x 24 x 7	2	N/A
48	Head Badge	500335	Head Badge Flame Logo	1	N/A
49	Flak Guard Chainstay	500524	Flak Guard Chainstay, Tazer Alloy	1	N/A
50	Flak Guard Seatstay	500525	Flak Guard Seatstay, Tazer Alloy	1	N/A
51	Flak Guard RT.	500526	Flak Guard RT, Vert, Strut, Vert. Strut, Tazer Alloy	1	N/A
52	Clear Protector DT Cable	500530	Clear Protector, Tazer Alloy DT Cable Protection	2	N/A
53	Clear Protector, RT Cable	500531	Clear Protector, Tazer Alloy RT Cable Protection	2	N/A
54	Flak Guard Chainstay	500532	Clear Protector, Tazer Alloy RT UDH	1	N/A
55	Key Plug Grommet	500533	Key Plug Grommet, Tazer Alloy	1	N/A
56	Battery	-	BT-E8036 (EU) / BT-EN806 (US)	1	N/A
57	Switch: On/Off	EW-SW300	Switch: On/Off	1	N/A
58	Charging Port	KEWCP100A	Charging Port	1	N/A
59	Rear Shock 185 x 55	--	Tazer Alloy Pro Rear Shock 185 x 55, Trunnion Mount	1	N/A
60	Motor	EP8	Shimano EP800 (EU) EP801 (US)	1	N/A
61	Front Triangle	--	Tazer Alloy Front Triangle: S/M/L/XL	1	N/A
62	Rear Triangle	--	Tazer Alloy Rear Triangle	1	N/A
63	Water Bottle and Cage	--	Water Bottle and Cage	1	N/A

EXPLODED VIEW AND PARTS TAZER MX ALLOY EXPERT



ITEM NO.	ITEM	PART NUMBER	DESCRIPTION	QTY.	TORQUE SPEC.
1	Crush tube	130754	M16C Lower Link crush tube	1	N/A
2	Bearing Cap 24mm OD	130765	Cap Bearing Blk	4	N/A
3	Bearing Cap	130778	Cap Bearing Blk	2	N/A
4	Bolt Shoulder	130785	Bolt Shoulder Fine Thread	1	20 Nm / 175 in-lbs
5	Bolt Main Pivot	130795	Bolt Main Pivot 1.5T M16 Blk	2	7 Nm / 60 in-lbs
6	Rear Axle	130799	Axle Rear 148 x 12mm Boost Blk	1	11 Nm / 100 in-lbs
7	Cone Adjuster	130807	Spacer Cone Adjuster Blk, 8.3 mm Height	3	N/A
8	Crush Tube M29/Tazer	130847	Crush Tube Top Link M29/Tazer	1	N/A
9	Forged Lower Link Tazer	130848	Forged Lower Link Tazer, Blk	1	N/A
10	Forged Top Link Tazer	130849	Forged Top Link Tazer, Blk	1	N/A
11	Axle Lower	130850	Axle Lower Pivot Tazer	1	20 Nm / 175 in-lbs
12	Crush Tube Tazer	130851	Crush Tube Top Link Tazer	1	N/A
13	Pivot Axle Spacer	130860	Pivot Axle Spacer Tracer	2	N/A
14	Drive Unit Bolt	130862	Drive Unit Bolt M8 x 18 with T40 Broach	4	10 Nm / 88 in-lbs
15	Collet Bolt Top Link	130863	Collet Bolt Top Link/ Front Triangle, Tazer	1	7 Nm / 60 in-lbs
16	Skidplate Spacer	130867	Skidplate Spacer, Tazer	2	N/A
17	Skidplate Motor Bolt	130868	M8 x 1.25 x 30 mm, Skidplate Motor Bolt, Tazer	2	10 Nm / 88 in-lbs
18	Spacer Trunnion Mount	130869	Spacer 10 mm Length, Trunnion Mount Tazer	2	N/A
19	Trunnion Bolt	130870	Bolt Shoulder 22.6 mm length, Trunnion Shock Tazer	2	16 Nm / 140 in-lbs
20	Derailleur Hanger	130897	UDH Universal Derailleur Hanger, GW, P/N 411H0300001	1	25 Nm / 221 in-lb
21	Pivot Tube	130911	Motor Mount Pivot Tube, Tazer Alloy	1	N/A
22	Guide Plate	130912	Cable Routing Guide Plate, Tazer Alloy, 12-174-000	2	N/A
23	Cable Guide Clamp	130913	Cable Guide Clamp, Tazer Alloy, DT Cables	2	N/A
24	Push Rivet	140038	Push Rivet SR-0817BK	3	N/A
25	Zip Tie	140053	Zip Tie, Lower Cable Guide	1	N/A
26	Rear Fender	140054	Tazer Rear Fender	1	N/A
27	Skid Plate	140077	Skid Plate E7000 BLK, Tazer Alloy	1	N/A
28	Battery Door	140078	Tazer Alloy Battery Door	1	N/A
29	Clip Plastic	310001	Clip for Single Guide Plastic	3	N/A
30	Jagwire cable guide	310011	Jagwire cable guide CC1010AB, 2 Guide	1	N/A
31	Cap W/Hole	310012	Cap W/Hole VLD-150	2	N/A

EXPLODED VIEW AND PARTS. TAZER MX EXPERT ALLOY CONTINUED...



ITEM NO.	ITEM	PART NUMBER	DESCRIPTION	QTY.	TORQUE SPEC.
32	Grommet	310013	Jagwire CCN009-5, Plug Internal Frame Routing, 2.5 mm E-wire	1	N/A
33	Seat Clamp	340339	Seat Clamp Tazer Alloy, GW #CSC0040	1	6-8 Nm / 53-70 in-lbs
34	Zerk Fitting M6 x 1.0	401011	Zerk Fitting M6 x 1.0	1	5 Nm / 45 in-lbs
35	SHCS M6 x 22	410009	SHCS, Socket Head, M6 x 22	3	14 Nm / 125 in-lbs
36	SHCS M8 x 35	410045	Bolt SHCS, M8 x 35 Steel	1	16 Nm / 140 in-lbs

ITEM NO.	ITEM	PART NUMBER	DESCRIPTION	QTY.	TORQUE SPEC.
37	Low Profile M5 X 11	410068	Low Profile Head Screw, M5 x 11, 2.5 Hex, Black	5	Tazer Fender Screws 1 Nm / 9 in-lbs Tazer Skidplate Screws 2 Nm / 18 in-lbs
38	Hanger Hardware	410070	Hanger Stop, M4 x 8 x 10mm OD	1	2 Nm / 18 in-lbs
39	BHCS M5 X 15	410072	BHCS, Button Head, M5 x 15	2	2 Nm / 18 in-lbs
40	FHCS M4 x 12	410080	FHCS, Flat Head, M4 x 0.7 x 12 Stainless Steel	4	2 Nm / 18 in-lbs
41	Flat Washer	410081	M4 Flat Washer, Stainless Steel	8	N/A
42	Socket Head, M3 x 0.5	410082	SHCS, Socket Head, M3 x 0.5 x 6 Stainless Steel, Low Profile	3	1 Nm / 9 in-lbs
43	FHCS M4 x 0.7	410083	FHCS, Flat Head, M4 x 0.7 x 8, Black Oxide	4	3 Nm / 26 in-lbs
44	Bearing 7902	430007	Bearing 7902-1ZS-MAX	2	N/A
45	Bearing 6802	430008	Bearing 6802 LLU MAX	4	N/A
46	Bearing 6800	430011	Bearing 6800 LLU MAX	2	N/A
47	Bearing 3802	430014	Bearing 3802 LLU MAX, Double Row 15 x 24 x 7	2	N/A
48	Head Badge	500335	Head Badge Flame Logo	1	N/A
49	Flak Guard Chainstay	500524	Flak Guard Chainstay, Tazer Alloy	1	N/A
50	Flak Guard Seatstay	500525	Flak Guard Seatstay, Tazer Alloy	1	N/A
51	Flak Guard RT. Vert. Strut,	500526	Flak Guard RT Vert Strut, Tazer Alloy	1	N/A
52	Clear Protector DT Cable	500530	Clear Protector, Tazer Alloy DT Cable Protection	2	N/A
53	Clear Protector, RT Cable	500531	Clear Protector, Tazer Alloy RT Cable Protection	2	N/A
54	Flak Guard Chainstay	500532	Clear Protector, Tazer Alloy RT UDH	1	N/A
55	Key Plug Grommet	500533	Key Plug Grommet, Tazer Alloy	1	N/A
56	Battery	BT-EN805-L	Shimano Battery BT-EN805-L	1	N/A
57	Switch: On/Off	EW-SW310	Switch: On/Off	1	N/A
58	Charging Port	KEWCP100A	Charging Port	1	N/A
59	Rear Shock 185 x 55	--	Rear Shock 185 x 55 DVO Topaz Trunnion Mount	1	N/A
60	Motor	EP600	Shimano EP600	1	N/A
61	Front Triangle	--	Tazer Alloy Front Triangle: S/M/L/XL	1	N/A
62	Rear Triangle	--	Tazer Alloy Rear Triangle	1	N/A
63	Water Bottle and Cage	--	Water Bottle and Cage	1	N/A

TAZER MX
PARTS KITS

DERAILLEUR HANGER KIT IT150141

- 20 130897
- 38 410070

Universal Derailleur Hanger Kit

- UDH Universal Derailleur Hanger
- Hanger Stop M4x8x10mm OD

AXLE KIT REAR IT150098

- 6 130799

Axle Kit Rear 148 x 12 Boost Tazer MX

- Axle Rear 148 X 12mm Boost Blk

FRAME PROTECTION KIT IT150164

- 49 500524
- 50 500525
- 51 500526
- 52 500530
- 53 500531
- 54 500532

Frame Protection Kit Flak Guard Tazer Alloy

- Flak Guard Chainstay, Tazer Alloy
- Flak Guard Seatstay, Tazer Alloy
- Flak Guard Rear Triangle Vertical Strut, Tazer Alloy
- Clear Protector Downtube Cable, Tazer Alloy
- Clear Protector Rear Triangle Cable, Tazer Alloy
- Clear Protector Tazer Alloy Rear Triangle UDH

SEAT COLLAR KIT IT150168

- 33 340339

Seat Collar Kit Tazer Alloy

- Seat Clamp Tazer Alloy GW #CSC0040

FRAME PROTECTION KIT IT150019

- 37 410068
- 26 140054

Frame Protection Kit Fender Tazer 2019-2023

- Bolt SHCS Flat Head M5 x 11
- Frame Protection Fender Tazer Rear BLK 2019/20

FRAME PROTECTION KIT IT150166

- 37 410068
- 27 140076

Frame Protection Kit Skid Plate Tazer Alloy Pro

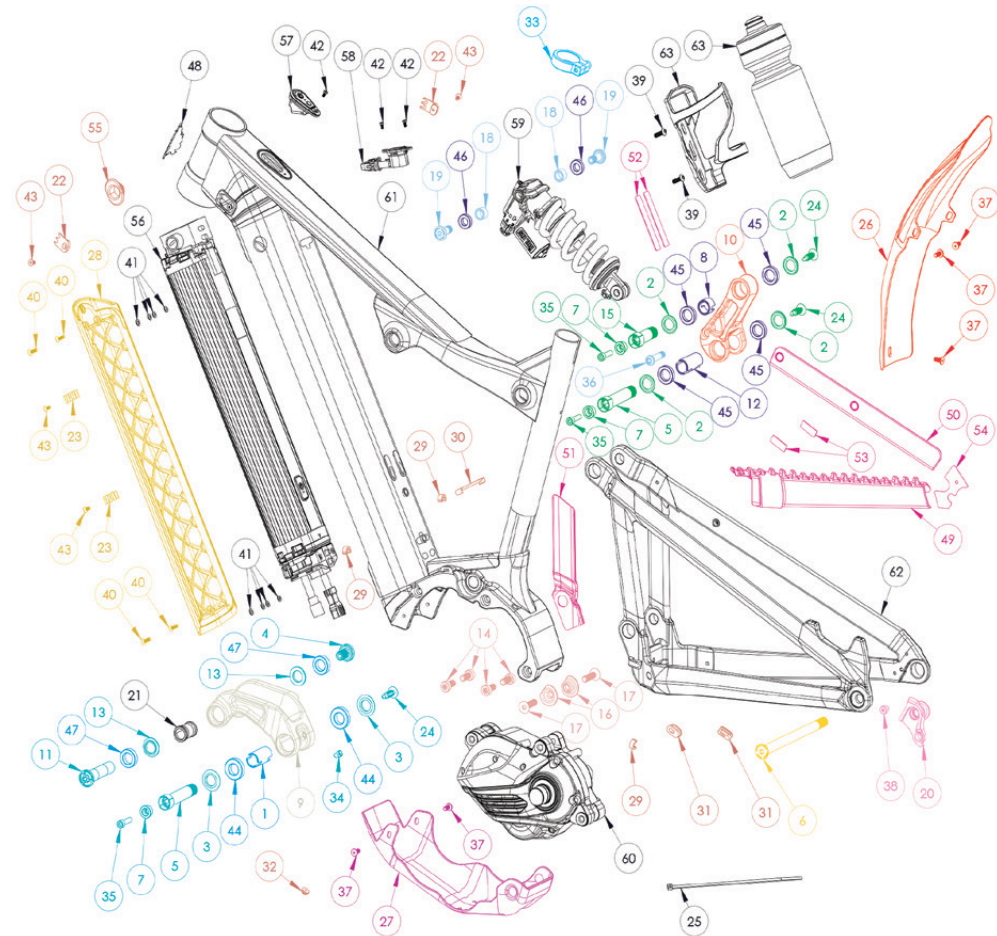
- Bolt SHCS Flat Head M5 x 11
- Skid Plate EP8 Black, Tazer Alloy

LOWER LINK KIT IT150010

- 3 130778
- 13 130860
- 4 130785
- 5 130795
- 7 130807
- 11 130850
- 34 401011
- 35 410009
- 24 140038

Link Kit Lower Hardware Tazer

- Cap Bearing Blk TW
- Pivot Axle Spacer Tracer
- Bolt Shoulder Fine Thread
- Bolt Main Pivot 1.5T M16 Blk TW
- Spacer Cone Adjuster 8.3mm (Short)Blk TW
- Axle Lower Pivot Tazer
- Zerk Fitting M6 x 1.0 x 7
- Bolt SHCS M6 x 22
- Push Rivet SR-0817BK



UPPER LINK KIT

- 2 130765
- 7 130807
- 35 410009
- 24 140038
- 15 130863
- 5 130795

IT150167

- 130765
- 130807
- 410009
- 140038
- 130863
- 130795

Link Kit Upper Hardware Tazer Alloy

- Cap Bearing 24mm OD S275C Blk
- Spacer Cone Adjuster 8.3mm (Short)Blk TW
- Bolt SHCS M6 x 22
- Push Rivet SR-0817BK
- Collet Bolt Top Link/Ft Triangle Tazer BLK
- Bolt Main Pivot 1.5T M16 Blk TW

TAZER MX
**PARTS KITS
 CONTINUED...**

BEARING REBUILD KIT

44	IT150021
47	430007
1	430014
	130754

CABLE GUIDE KIT

22	IT150163
23	130912
29	130913
30	1301001
31	10011
55	310012
32	500533
43	310013
	410083

MOTOR MOUNT KIT

14	IT150012
16	130862
17	130867
	130868

BEARING REBUILD KIT

45	IT150020
46	430008
12	430011
8	130851
	130847

LINK KIT UPPER

10	IT150023
	130849 B

LINK KIT LOWER

9	IT150022
	130848 B

BATTERY DOOR KIT

28	IT150172
23	140078
43	130913
40	410083
	410080

Bearing Rebuild Kit Lower Tazer

Bearing 7902-1ZS-MAX
Bearing 3802 LLU Max
Crush Tube

Cable Guide and Grommet Kit Tazer Alloy

Cable Routing Guide Plate Tazer Alloy 12-174-000
Cable Guide Clamp Tazer Alloy DT Cables
Clip for Single Guide Plastic
Jagwire Cable Guide CC1010AB 2 Guide
Cap w/ Hole VLD-150
Key Plug Grommet Tazer Alloy
Jagwire CCN009-5 Plug Internal Frame Routing 2.5mm E-wire
FHCS, Flat Head M4 x 0.7 x 8, Black Oxide

Motor Mount Kit Tazer 2019-2023

Drive Unit Bolts M8 x 1.25 x 20 mm Length Tazer
Skidplate Spacer Tazer
M8 x 1.25 x 30 mm Skidplate Motor Bolt Tazer

Bearing Rebuild Kit Upper Tazer

Bearing 6802-2RS-MAX
Bearing 6800 LLU MAX
Crush Tube Top Link Tazer
Crush Tube Top Link M29/ Tazer

Link Kit Upper Complete Forged Tazer 2019-2023

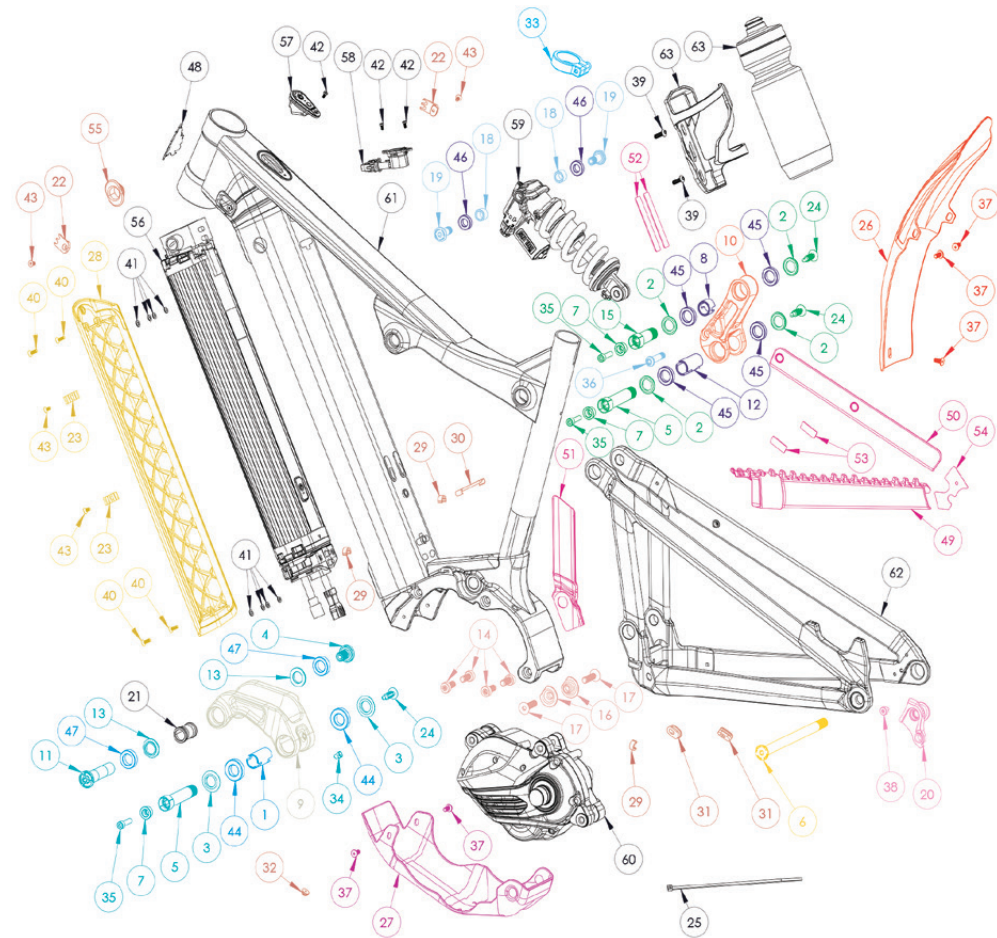
Forged Top Link Tazer w/ Bearings Blk

Link Kit Lower Complete Forged Tazer 2019-2023

Forged Lower Link Tazer w/ Bearings

Battery Door Kit Complete Tazer Alloy

Battery Door Tazer Alloy
Cable Guide Clamp Tazer Alloy DT Cables
FHCS, Flat Head M4 x 0.7 x 8, Black Oxide
FHCS, Flat Head M4 x 0.7 x 12 Stainless Steel



SHOCK MOUNT KIT

18	IT150123
19	130869
36	130870
	410045

Shock Mount Kit Tazer 2019-2023

Spacer 10 mm Length, Trunnion Mount Tazer
Bolt Shoulder 22.6 mm length, Trunnion Shock Tazer
Bolt SHCS Button Head M5 x 8 x .8 BLK

WHEEL SENSOR KIT

NOT PICTURED
 NOT PICTURED

IT150169

KEWSS301L760
 AAO1000579/SP-SS10

Lower Complete Forged Tazer 2019-2021 (4950-0015)

Speed Sensor Unit EW-SS301 Cable Length 760mm Black bulk
 The Magnet for Six Bolts Rotor Magnet Toward Outward

DISPLAY UNIT KIT EXP

DISPLAY UNIT KIT PRO

IT150170

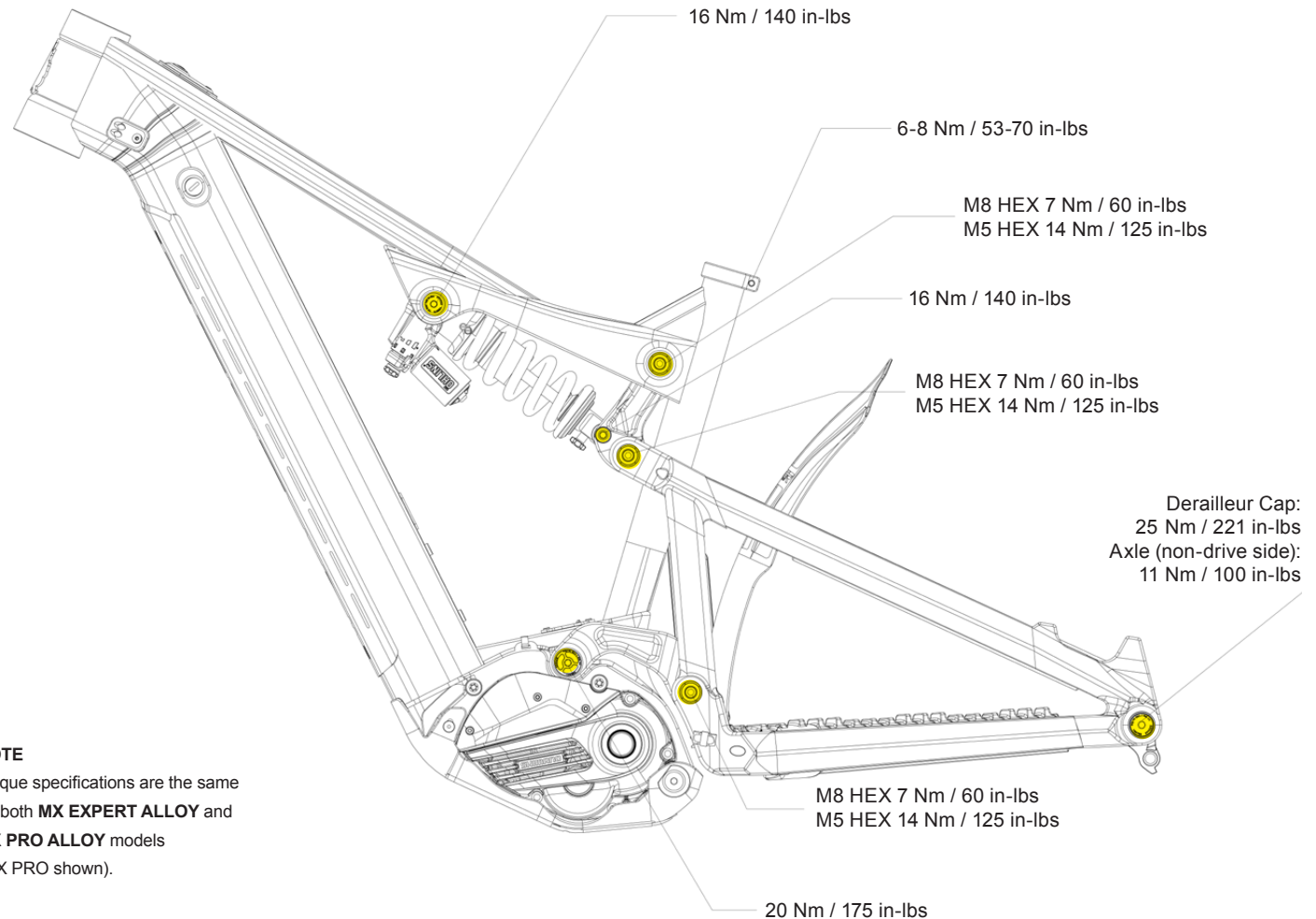
IT150171

KSCEN600A **Display Unit Kit Tazer Alloy Expert**

KSCEN610A **Display Unit Kit Tazer Alloy Pro**

TORQUE SPECIFICATIONS

Achieving correct torque is vital to ensuring the proper performance and function of the Tazer MX frame. Failure to do so could result in suboptimal performance of your frame as well as premature wear and tear of individual parts. In addition to this chart, torque values are laser etched onto corresponding hardware for your reference.



NOTE
Torque specifications are the same for both **MX EXPERT ALLOY** and **MX PRO ALLOY** models (MX PRO shown).

INTENSE TAZER MX MANUAL

DECLARATION OF CONFORMITY

Tazer MX intended for Off-road Use.

THE MANUFACTURER**INTENSE, LLC**

42380 Rio Nedo

Temecula, CA 92590-3708, USA

TEL: 951-307-9211

HEREBY CONFIRMS THE FOLLOWING PRODUCTS

Product Name: INTENSE TAZER and TAZER MX e-Bike

Year of Construction: 2022/2023

Conformity with all applicable provisions from the Machinery Directive (2006/42/EC). The machine conforms to all applicable provisions of the Directive 2014/30/EU Electromagnetic Compatibility Directive.

These standards were applied:

EN 15194: 2017 Bicycles:

Electrically power assisted bicycles, EPAC Bicycles.

ISO 4210-2 Bicycles: Safety requirements for bicycles.

Technical documentation from:

INTENSE, LLC

42380 Rio Nedo

Temecula, CA 92590-3708, USA

TEL: 951-307-9211

Place and Date of issue of this Declaration of Conformity:

Temecula, CA, November 1, 2022

Jeff Steber

CEO/Founder

Corey Hsu

Managing Director of Asia Operation

Thomas Harter

Engineering Director

SEED

Chris Knutson

Engineer

This declaration of conformity is specific to countries following CE marking directives.

NEED HELP?

For additional support, please visit www.intensecycles.com where you will find information regarding registration, warranty, part replacement as well as a variety of useful videos that will help you set up and keep your bike in optimal riding condition.

www.intensecycles.com

Phone:

+1 (951) 307 9211

Customer Service:techcenter@intensecycles.com**General Info:**info@intensecycles.com**INTENSE LLC**

42380 RIO NEDO

TEMECULA, CA 92590

USA

INTENSE



TAZER MX ALLOY PRO
TAZER MX ALLOY EXPERT

MANUAL