

Technical Data

Column Stage	1 stage
Max Loading Capacity	80KG
Height	725mm

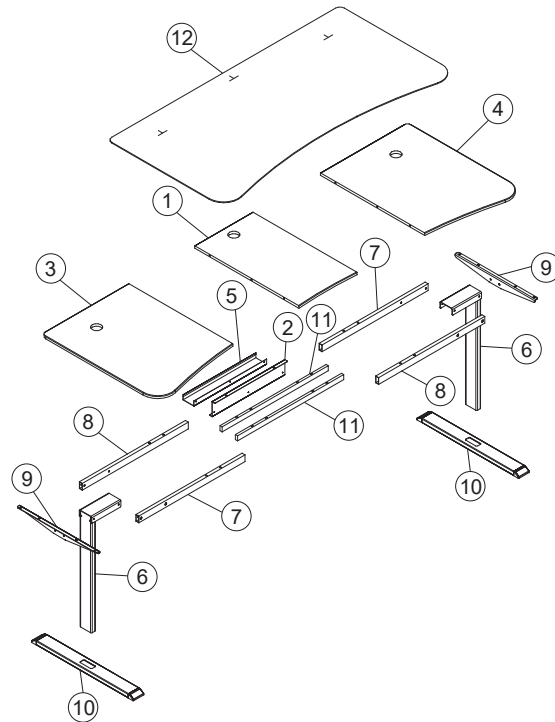
Accessory List

Attention: The drawings below are for reference only, which might be slightly different from the actual product. Any missing tools or installation issues, please contact customer service.

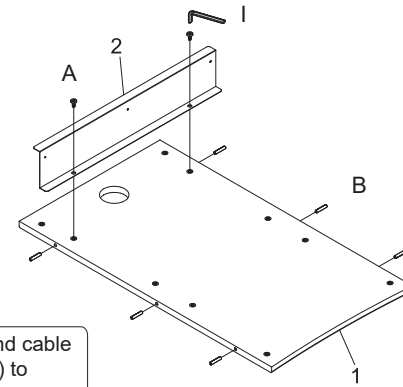
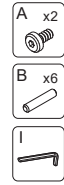
No.	Image	Spec	Qty
A		M6 x 12mm	42
B		φ6 x 30mm	6
C		Gasket	4
D		M4 x 8mm	3
E		M6 x 20mm	4
F		Adjuster	4
G		M6 x 50mm	8
H		Grommet	3
I		Hexagonal Wrench 4x4mm	1

Component List

No.	Part	Qty	No.	Part	Qty
①	Middle Table Board	1	②	Cable Tray	1
③	Left Table Board	1	④	Right Table Board	1
⑤	Cable Tray	1	⑥	Table Leg	2
No.	Part	Qty			
⑦	Left Crossbeam	2	⑧	Right Crossbeam	2
No.	Part	Qty	No.	Part	Qty
⑩	Table Foot	2	⑪	Middle Crossbeam	2
No.	Part	Qty			
⑫	Table Pad	1			



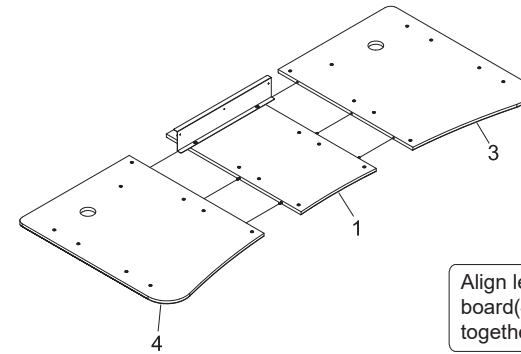
Step 1



Install middle table board(1) and cable tray(2) together, use wrench (I) to tighten the screws (A).

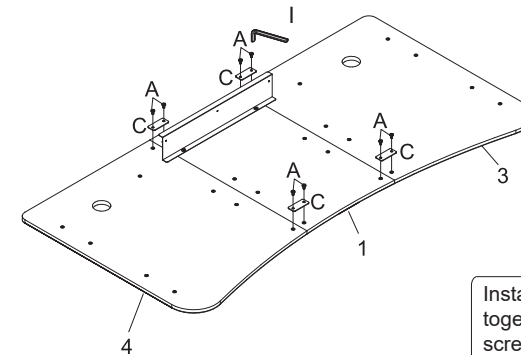
Insert wood pin(B) into middle table board(1).

Step 2



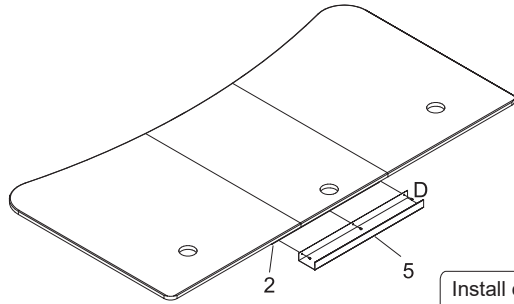
Align left table board(3), right table board(4) and middle table board(1) together through wood pin(B).

Step 3



Install gasket(C) and top boards together, use wrench(I) to tighten screw(A).

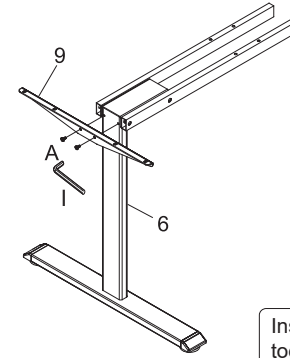
Step 4



Install cable tray(2) and cable tray (5) together, use phillips head screw driver to tighten screw(D).

Step 7

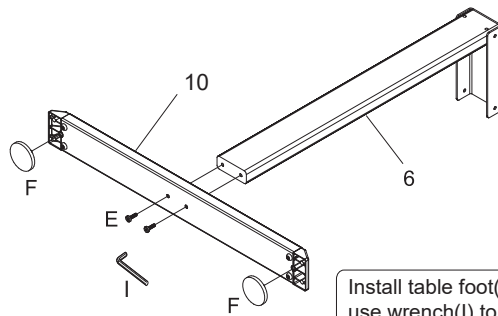
2PCS



Install supporting bar(9) and table leg(6) together, use wrench(I) to tighten screw(A).

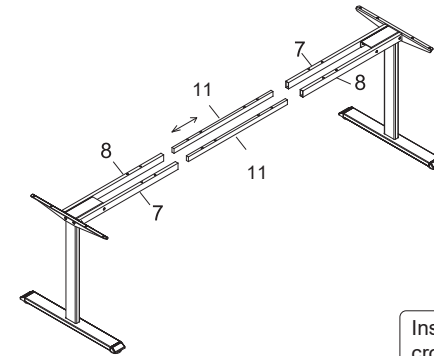
Step 5

2PCS



Install table foot(10) and table leg(6) together, use wrench(I) to tighten screw(E). Insert adjuster(F) into table leg(6).

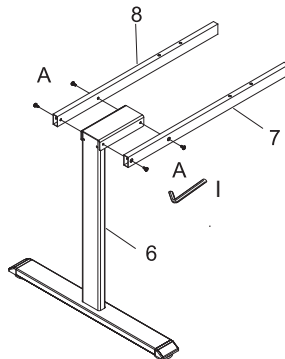
Step 8



Insert middle crossbeam(11) into left crossbeam(7) and right crossbeam(8).

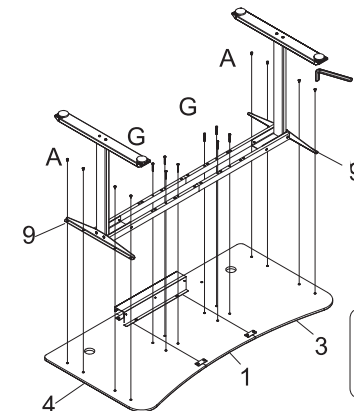
Step 6

2PCS



Install left crossbeam(7), table leg(6) and right crossbeam(8) together, use wrench(I) to tighten screw(A).

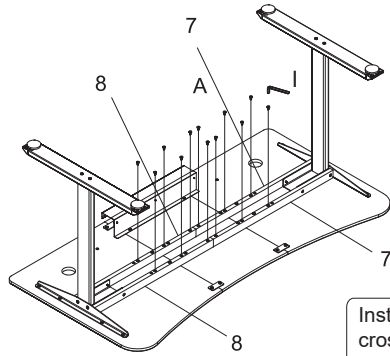
Step 9



Install the frame assembled in step 8 and table board together, use wrench(I) to tighten screw(A) & (G).

Step 10

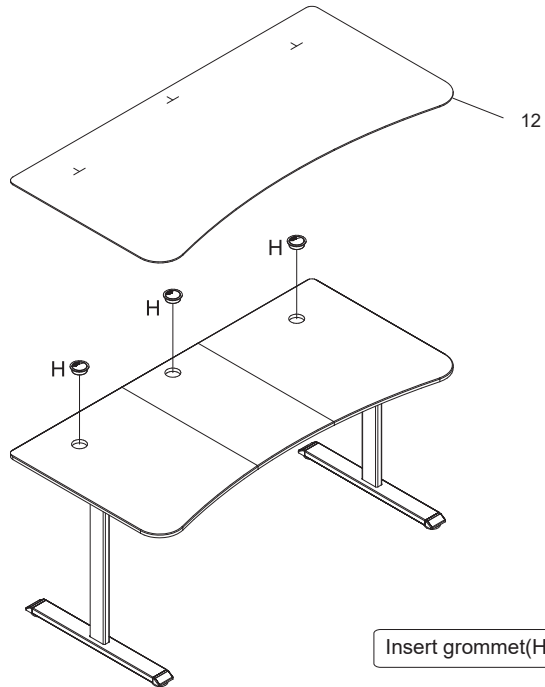
A x12



Install middle crossbeam(11) , left crossbeam(7) and right crossbeam(8) together, use wrench(I) to tighten screw(A).

Step 11

H x3



Insert grommet(H) and put table pad(12).



Caution

This product contains small items that could be a choking hazard if swallowed. Keep these items away from young children.

- Be familiar with all functions and program settings of the product before first use.
- Children are forbidden to play on the product because of unforeseen action when playing, so any dangerous consequences caused by this improper action will not happen.
- This appliance can be used by children aged from 8 years and above and persons with reduced physical, sensory or mental capabilities or lack of experience and knowledge if they have been given supervision or instruction concerning use of the appliance in a safe way and understand the hazards involved. Children shall not play with the appliance.
- Cleaning and user maintenance shall not be made by children without supervision.
- Please make sure there is no hazard sources in your operating environment. e.g., do not litter the tools around. Always be careful to treat the packaging materials in order to avoid any possible danger, e.g. plastic bag may lead to choking hazard to children.
- Keep the original package of the equipment if necessary in case of the future use in transportation.