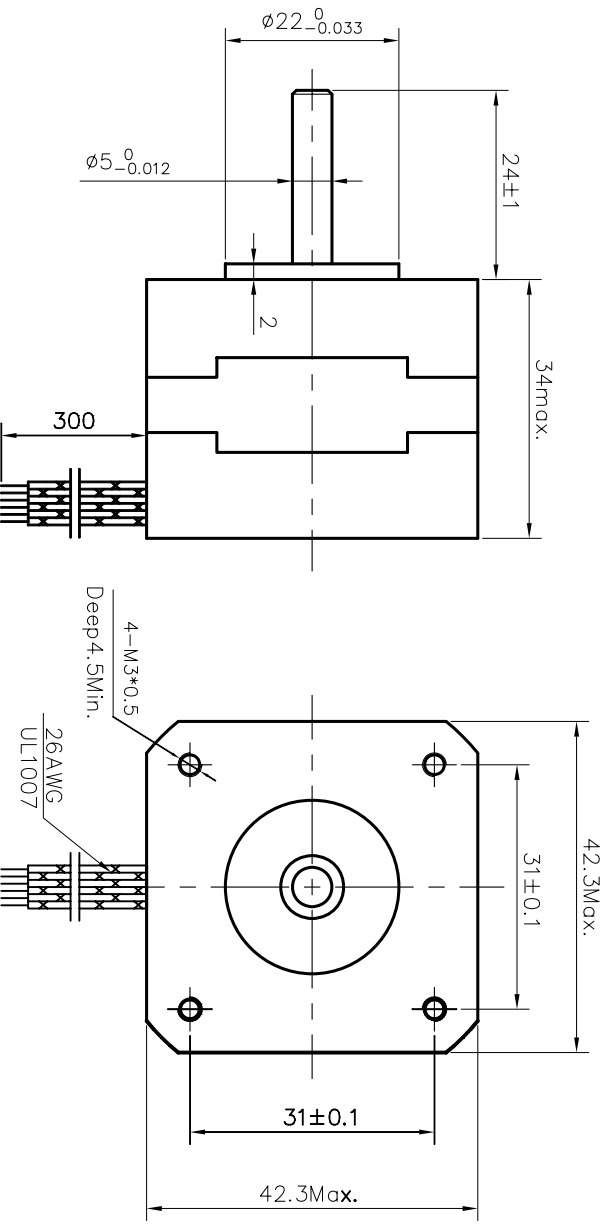
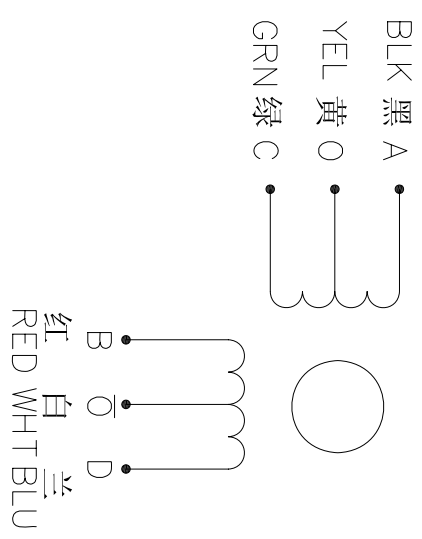


Dimension:
Unit=mm



Wiring Diagram:



Specifications:

相数	Phase	4	Comment
步距角	Step Angle	1.8	deg.
电压	Voltage	12	V
相电流	Current	0.31	A
相电阻	Resistance	38.5	Ω
相电感	Inductance	21	mH
静力矩	Holding Torque	1.6	kg.cm
绝缘等级	Insulation Class	B	
重量	Mass	0.22	kg

REV.	QTY.	No.	SIG.	DATE	Title:	CLS.MAK	WEIGHT	SCALE
DESIGN			STD.		Specification			
CHECK			APPR.					
PROC.								

PAGE: OF PAGES

42HSS4-0316