

INTRODUCTION

N323RHT is a digital temperature and humidity controller. It includes three relay-type control outlets that may be independently configured for functioning as a control, alarm or timer.

The humidity and temperature sensor, sold separately, is protected by a polyamide capsule and have 3-meter long cables.

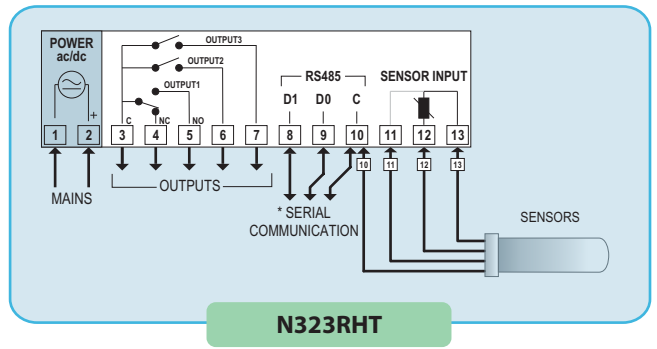
CE (European Union) and UL (United States and Canada) certifications compliant.



FEATURES & SPECIFICATIONS

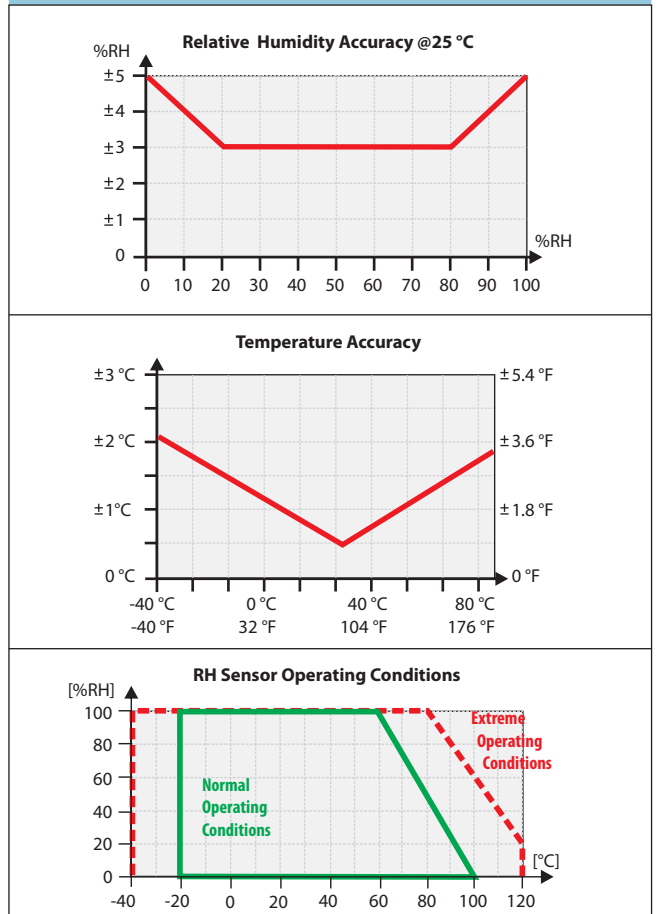
- One control outlet (Output1) with a SPDT relay, 1HP (16A resistive) /250Vac and another control outlet (Output2) with a SPST relay, 3A (5A resistive)/250Vac
 - 3½-digit LED Display
 - Sensor offset adjustment
 - Adjustable hystereses
 - Different temporization can be set to each output
 - Third output can be set as cyclic timer
 - Configurable setpoint minimum and maximum limits
 - Program retention during power failures
 - Configurable password equipment protection
 - Silicone keys with excellent durability
 - Front-panel with IP65 protecton
 - Humidity and temperature measuring ranges (see figure):
 - RH: 0 to 100% of relative humidity
 - T: -20 to 100 °C
 - Measurement resolution:
 - RH: 1% in the whole range
 - T: 0.1 °C from -19.9 to 100.0 °C
 - Accuracy: See figure
 - Power supply: 100 to 240Vac/dc ±10%
 - Frequency: 50~60 Hz
 - Consumption: 5VA
 - Dimensions:
 - Humidistat: 75 x 33 x 75 mm
 - Sensor: 125 x 13.7 mm (length x diameter)
 - Sensor cable: 3 meters
 - Panel cutout: 70 x 29 mm
 - Weight: 120 g
 - Operational temperature: 0 to 40 °C
 - Storage temperature: -20 to 60 °C
- OPTIONAL**
- RS485 interface with Modbus RTU protocol
 - Power supply: 12 to 24Vac/dc
- APPLICATION**
- Brooders; incubators; flowers, fruits, and vegetables storage rooms; air conditioning; data centers.

ELECTRICAL CONNECTIONS



TEMPERATURE CONTROLLERS

Accuracy of measuring humidity and temperature



HOW TO SPECIFY

MODEL: N322 - A - B - C , where:	
A: Sensor:	RHT
B: Communication:	Blank or 485 (RS485, RTU Modbus Protocolo)
C: Power supply:	Blank (100-240 Vac/dc) or 24V (24 Vac/dc)