

## RDP-15

Paperless Recorder, Data Logger and Industrial Controller with 5 Inch Display



Revision V1.0

# Table of Contents

- Product Overview ..... 2
- Specifications ..... 2
  - Size ..... 2
  - Display ..... 2
  - Recording/Memory..... 2
  - Inputs ..... 2
  - Outputs ..... 3
  - General..... 3
- Input/Output Modules..... 3
  - IO Modules..... 3
  - Modular Sockets ..... 3
  - I/O Modules ..... 4
  - Installation and Replacement of I/O Modules..... 4
  - Module Slots ..... 4
- Installation ..... 4
  - Front/Rear View ..... 4
  - Mounting Dimensions(mm) ..... 4
- Wiring..... 5
  - Rear Panel Connections ..... 5
  - Thermocouple Connection ..... 5
  - Two-wire RTD Connection ..... 5
  - Three-wire RTD Connection..... 5
  - Voltage/Current Connection..... 6
- Operating Instructions ..... 6
  - First Time Use..... 6
    - The Default Passcode ..... 6
    - Saving and Restoring Parameters (Reread and DownLoad Button) ..... 6
  - Panel Meter Display Screen (Panel Button) ..... 6
    - Panel Meter Display ..... 7
    - Alarm Status..... 7
  - Single Channel Display Screen (Operation Button)..... 7
  - Real Time Trend Screen (Curve Button) ..... 8
  - Historical Trend Screen (History Button) ..... 8
  - Tabular Historical Data View Screen (Datalist Button)..... 9
    - Setting the Data List View Time Interval..... 9
    - Data Export ..... 10
  - Alarm Display Screen (AlarmList Button)..... 10
    - Export Alarm Data..... 10
  - Channel Configurations Screen (MeterOpt Button) ..... 10
- Appendix ..... 12
  - Channel Parameters..... 12

## Product Overview

The RDP-15 paperless recorder is multi-function instrument combining the functionality of a digital chart recorder, multi-channel panel meter, data logger, alarm monitor and SCADA (supervisory data acquisition and control) all in one low cost easy to use instrument. The RDP-15 rich feature set includes:

- **Easy to use touch screen display**

Modern industrial-grade touch screen allows all parameters to be configured from an easy to use interface.

- **Highly reliable hardware design**

Independent processing for the graphic interface and data logging; ensuring separate control and real-time sampling to meet the stringent requirements of industrial applications while maintaining low power operation.

- **Minimal channel to channel Interference**

The RDP-15 uses high-performance components which greatly reduce temperature drift and reduce the interference between the respective channels, ensuring that measurement accuracy and noise immunity are on par with single channel measurement instruments.

- **Rich data logging**

A paperless recorder with data logging capabilities which can display real-time trends, historical trends and provide a record of data logging and alarm events. It has 150M of storage space. The stored data can be viewed on the recorder as a trend curve and/or table format. The data may also be exported to a PC in an Excel compatible format through the USB port to a USB flash drive.

- **Flexible configurations according to the customers' requirements**

The paperless recorder is hardware configured with the use of I/O modules that populate up to 5 internal IO slots. Various types of modules are available depending on the application. Each module can be independently configured for alarm, communication and sampling functions.

## Specifications

### Size

Display size: 5 inches  
Dimensions: 145W × 105H × 100D(mm)  
Opening size: 135W × 96H (mm)

### Display

Color: TFT true color  
Resolution: 800 × 480  
Backlight: long-life LED  
Input Method: Touch  
Touch Screen: four-wire resistive

### Recording/Memory

Recording interval: 1 to 300 seconds in 1 second intervals  
Memory capacity: 150MB.

### Inputs

The inputs are determined by the specific hardware configuration

Thermocouple: K, S, R, E, J, T, B, N, WRe5-WRe26 (requires J1 module)  
Linear Millivolt: 0-20mV, 0-60mV, 0-100mV, 0- 1V (requires J1 module)  
RTD: Pt100, Cu50 (requires J0 or J2 input module, J0 supports 3 wire connection and J2 supports 2 wire connection)  
Linear Voltage / current: 0-5V, 1-5V (requires J3 module)  
Two-wire transmitter Input: 4-20mA, 0-20mA (requires J4 or J5 module. J5 also provides 24V loop supply voltage)  
Root operation Input: 1-5V, 4-20mA (requires J3 or J4 current or voltage input module)  
Accuracy: ± 0.2% FS ± 1 digit); 0.3 (± 0.3% FS ± 1 digit, only Cu50)

*Note 1: When using the thermocouple inputs add 1 plus 1 °C for cold junction compensation*

*Note 2: For B thermocouple accuracy only applies over range of 60-600 °C.*

Response time: ≤1.5 seconds (with digital filter set to 0 or 1)

Temperature drift: ≤0.01% FS / °C (typical value 50ppm / °C)

Temperature Measurement Range:

K (-50 to 1300 °C), S (-50 to 1700 °C), R (-50 to 1700 °C), T (-200 to 350 °C), E (0 to 800 °C),

J (0 to 1000 °C), B (+200 to 1800 °C), N (0 to 1300 °C), WRe3~WRe25 (0 to 2300 °C),

WRe5~WRe26 (0 to 2300 °C), CU50 (-50 to 150 °C), PT100 (-200 to 800 °C)

Linear Input: -1999~+9999 defined by the user

## Outputs

Two SPDT relay contact output 250VAC / 2A

## General

Power: 100~240VAC, -15%, + 10% / 50-60hZ

Power: ≤5W

Environment: Temperature: -10 °C~+ 60 °C; Humidity: ≤ 90% RH

Storage temperature: -20 °C~+ 80 °C

Weight: 0.7KG (1.5lbs)

Cooling: Natural air flow

## Input/Output Modules

### IO Modules

Multiple large-size touch operation records alarm type meter

		Description			
Input Slot 1 (M1)	J0				1 channel 3-wire RTD
	J1				2 channel thermocouple or mV input
	J2				2 channel 2-wire RTD input
	J3				2 channel voltage input
	J4				2 channel milliamp input 4-20mA, 0-10mA
	J5				2 channel milliamp input 4-20mA, 0-10mA with internal 24Vdc power supply
Input Slot 2 (M2)	J0				Same module functions as input slot M1
	J1				
	J2				
	J3				
	J4				
	J5				
Input Slot 3 (M3) or Main output (OUTP)	J0-J5				Same module functions as input slot M1 and M2(requires 6 channel version)
	L0				SPDT relay output, 250VAC / 2A
Alarm output (ALM)	L0				Same as L0 of input slot M3
Auxiliary alarm (AUX)	L0				Same as L0 of input slot M3

### Modular Sockets

The recorder includes five module sockets. By installing various modules it may be configured for different types of inputs and outputs

**Input Socket 1 (M1):** Accepts modules J0, J1, J2, J3, J4, J5, inputs for thermocouple, RTD, current and voltage.

**Input Socket 2 (M2):** Accepts modules J0, J1, J2, J3, J4, J5, inputs for thermocouple, RTD, current and voltage.

**Input Socket 3 (M3) or Primary Output (OUTP):** Accepts modules J0, J1, J2, J3, J4, J5 module; It also accepts L0 alarm output module.

**Alarm Output (ALM):** Accepts L0 alarm output module

**Auxiliary Output (AUX):** Accepts L0 alarm output module.

## I/O Modules

**N** No module.

**J0** 1 channel three wire RTD

**J1** 2 channel thermocouple input module, also supports mV.

**J2** 2 channel 2-wire RTD input module.

**J3** 2 channel voltage input module supports 0~5V, 1~5V.

**J4** 2 channel current input module supports 4~20mA, 0~20mA.

**J5** 2 channel 2-wire transmitter input channel module, its own internal power supply 24V feeding. *(note: the recorder can only support up to two J5 modules or 4 input channels)*

**L0** High capacity SPDT relay contact switch output (module capacity: 250VAC / 2A, for the alarm).

## Installation and Replacement of I/O Modules

The recorder uses field installable I/O modules. When shipped to a customer the module will be installed and the recorder configuration set for that module. Should you need to replace or change a module this can be done by the user. Remove the meter cover and with a small blade screwdriver pry the original module from its socket. After installing the new module, the recorder configuration parameters may need to be set to work with the new module.

## Module Slots

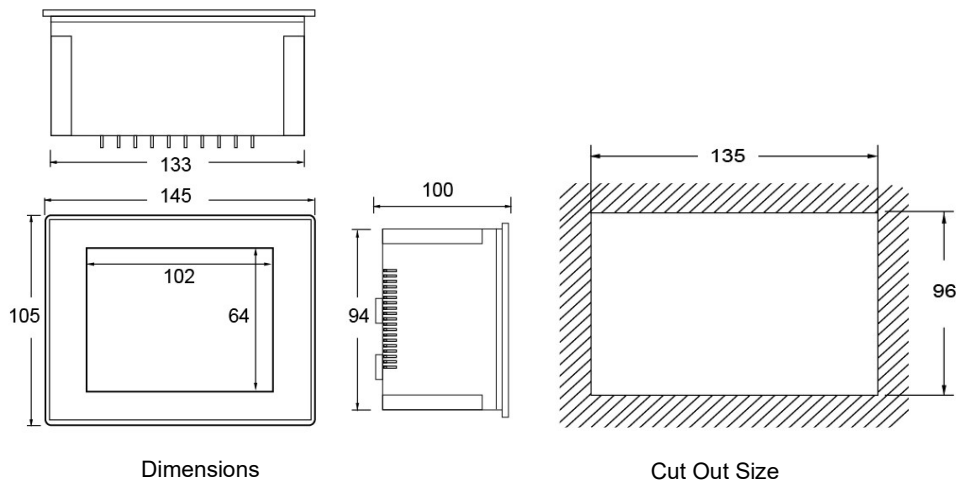
The RDP-15 includes five functional modular jacks, by installing various types of modules, the recorder can perform different functions. The circuit board slots denoted as M1, M2 and M3, accept input modules for a total of 6 channels of inputs. Slots ALM, AUX, and M3 (OUTP), are used for output and alarms

## Installation

### Front/Rear View

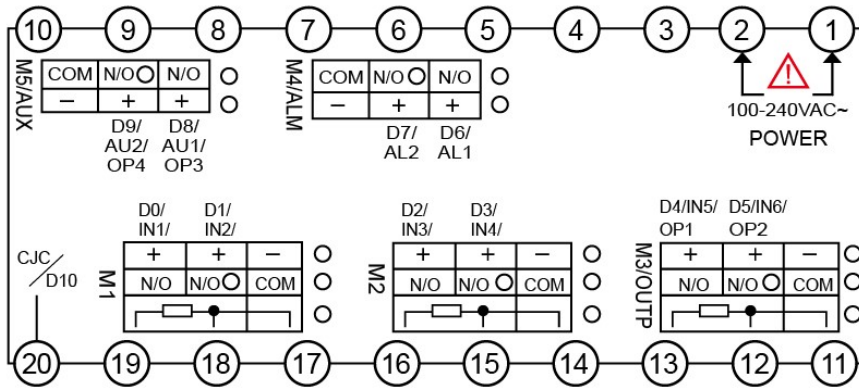


## Mounting Dimensions(mm)



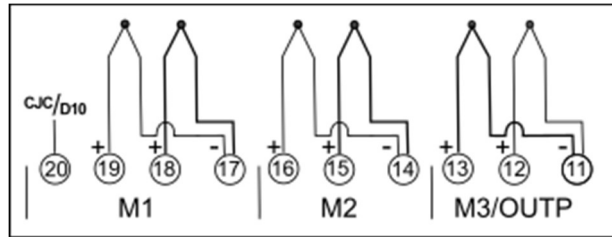
# Wiring

## Rear Panel Connections



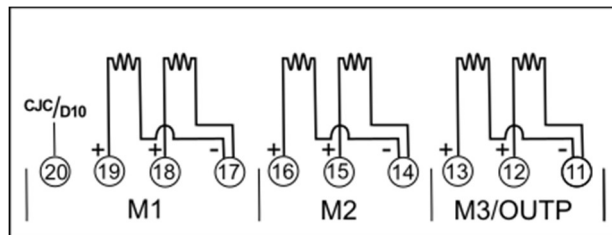
## Thermocouple Connection

Each J1 module supports two thermocouples. The thermocouples for each J1 module have a unique positive input and share a common negative input. The module in slot M1 also provides input if an external cold junction compensation (CJC) sensor is used. That sensor should be a 50-ohm copper RTD.



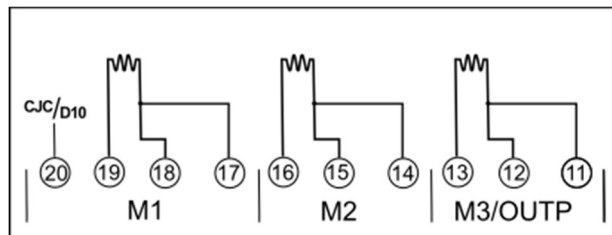
## Two-wire RTD Connection

Each J2 module supports two RTD sensors. The RTDs for each J2 module have a unique positive input and share a common negative input.



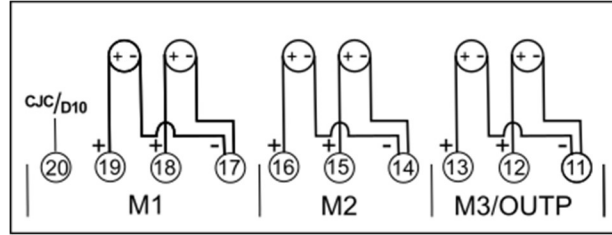
## Three-wire RTD Connection

Each J0 module supports one three-wire RTD connection.



## Voltage/Current Connection

The following diagram may be used for the voltage and current connections.



## Operating Instructions

### First Time Use

On initial power up, the default Panel Meter display will be displayed on the screen. This view shows all the recorder channels in their factory set state. Located on the lower portion of the screen are touch sensitive buttons that provide access to the recorder functionality and configuration. These buttons are

- **Operation** – Single channel display
- **Curve** – Real time trend display
- **History** – Historical trend display
- **DataList** – Tabular data display
- **AlarmList** – Alarm display (real time and historical alarms)
- **MeterOpt** – Meter configuration mode

The recorder will arrive with the most common channel configuration, but it is necessary to review the configuration to modify for your specific requirements. To modify a channel, press the **MeterOpt** button.

### The Default Passcode

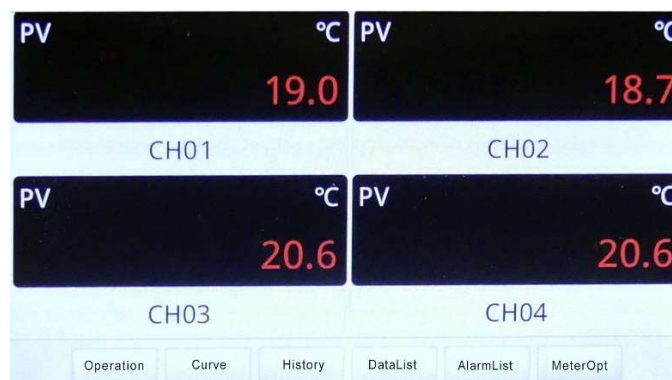
The default passcode is **111**. The password may be changed by pressing the **MeterOpt** button then **SetCode** button. The recorder will be preset for the installed input modules but you should review the basic channel settings by pressing the **MeterOpt** button.

### Saving and Restoring Parameters (Reread and Download Button)

After a parameter is changed, the new value may be saved to the recorder's memory by pressing the **Download** button. You may also recall the old setting prior to pressing the **Download** button by pressing the **Reread** button.

### Panel Meter Display Screen (Panel Button)

The Multi Panel Display Screen is entered by clicking the **Panel** button along the bottom of the recorder screen. The panel meter is the main display from which all the recorder functions may be accessed by pressing the buttons on the bottom of the screen. These functions include trend display, data history, alarms and recorder configuration.



### Panel Meter Display

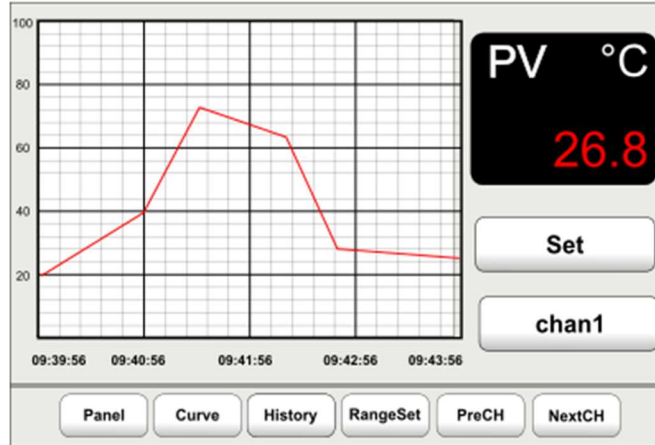
The Panel display provides a digital display of the data, like virtual panel meters. The units and channel label are set through the meter options (**MeterOpt**) menu.

### Alarm Status

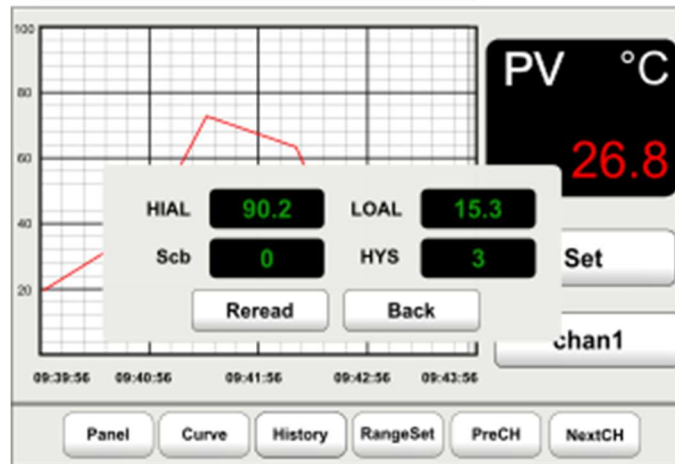
When the instrument is in an alarm state, the channel name background is displayed in red. When the channel name background is shown as off-white, the channel is in a non-alarm-state.

If the process value goes over range the meter display will show "Oral"

### Single Channel Display Screen (Operation Button)



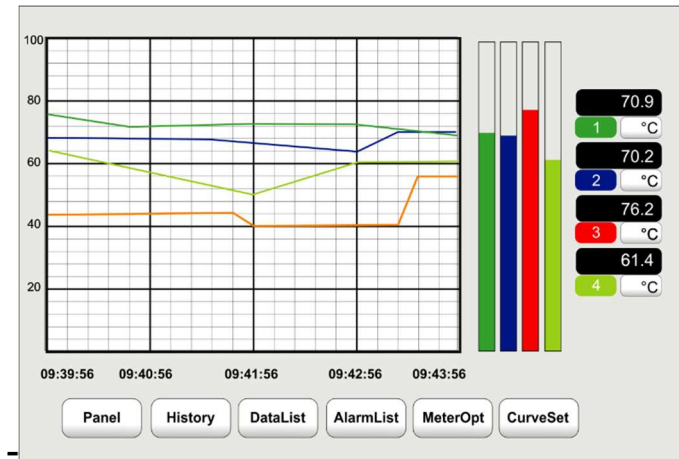
By pressing the Operation button, you will enter the single channel display screen which will provide a graph and meter display of that single channel. You can also enter this screen by pressing on the channel label from the Panel Meter screen. Once in the single channel display screen, press the Set button to display a screen which will allow the high and low alarm values (HIAL, LOAL), the process value offset (Scb) and the alarm hysteresis(HYS) to be set.





### Real Time Trend Screen (Curve Button)

The Real Time Trend Screen provides a trend indication of all channels. Each channel is indicated by a different color trend. In addition to a trend display, this screen also shows a bar graph display and digital panel meter type display.

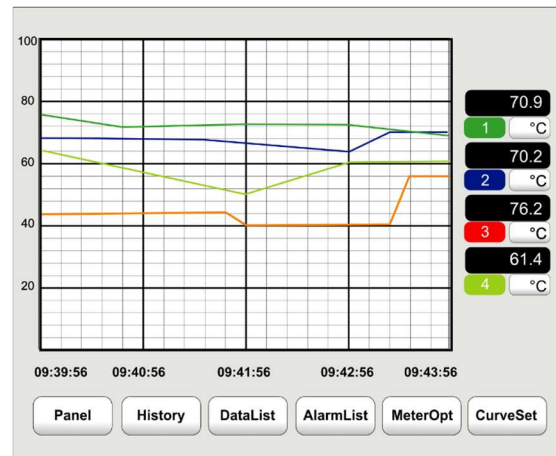


Channels may be hidden from view by pressing the colored number button( eg 1 )

The setting for the X and Y axis are made by pressing the CurveSet button.

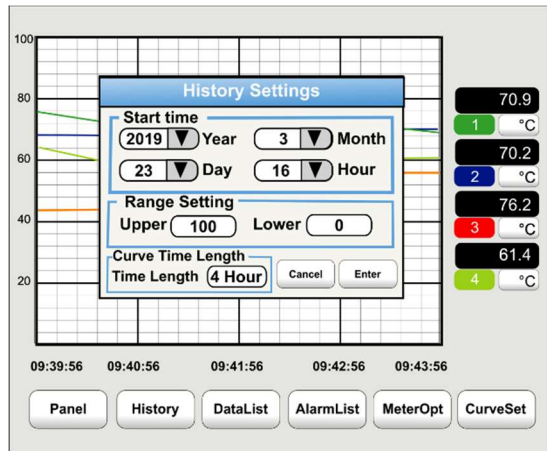
### Historical Trend Screen (History Button)

The Historical Trend Display screen may be entered by pressing the **History** button. This screen allows for viewing of the historical data in a line graph format. To move forward in time, touch the **Forward** button. To move backward in time, press the **Retreat** button.



Channels may be hidden from view by pressing the colored number button (eg 1 )

The configuration parameters of the Historical Trend Display screen may be set by pressing the HisSet button which will open a menu screen allowing the user to set the start time for the data, the y scale of the graph (process value) and the curve length time.



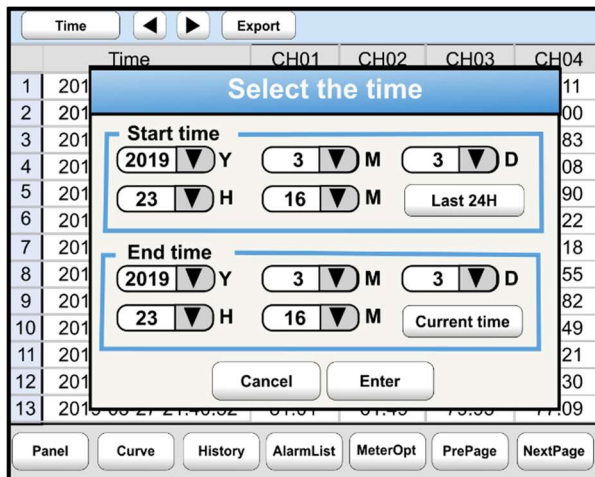
### Tabular Historical Data View Screen (DataList Button)

The tabular historical data view screen is entered by pressing the **DataList** button. This screen provides a historical view of the data in table format.

Time		CH01	CH02	CH03	CH04
1	2019-03-27 21:40:52	81.14	60.21	82.15	73.11
2	2019-03-27 21:40:52	81.18	60.51	83.33	73.00
3	2019-03-27 21:40:52	80.23	60.66	82.65	74.83
4	2019-03-27 21:40:52	80.33	60.61	83.11	74.08
5	2019-03-27 21:40:52	82.44	60.78	83.01	74.90
6	2019-03-27 21:40:52	82.66	59.32	83.96	75.22
7	2019-03-27 21:40:52	81.67	59.87	83.05	75.18
8	2019-03-27 21:40:52	81.33	60.21	82.02	75.55
9	2019-03-27 21:40:52	81.21	60.21	82.55	77.82
10	2019-03-27 21:40:52	81.11	60.21	81.14	76.49
11	2019-03-27 21:40:52	81.18	61.67	81.39	76.21
12	2019-03-27 21:40:52	80.89	61.21	80.45	77.30
13	2019-03-27 21:40:52	81.01	61.49	79.95	77.09

### Setting the Data List View Time Interval

The date/time period for the data shown in this screen can be set by pressing the **Time** button. When the Time button is pressed a screen will appear allowing the start date/time and the end date/time to be set.



## Data Export

The data in the Data List View may be saved to as an Excel compatible .csv file format. Insert the USB flash drive (one included with the recorder) into the USB slot on the rear of the recorder and press the Export button. A screen will appear asking you to confirm the export. Press the Enter button to save the data to data. It will be saved to a file named. Hisdaa.csv.

*Please note; it may take a few minutes after the USB flash drive is inserted before it is recognized by the recorder.*

## Alarm Display Screen (AlarmList Button)

The Alarm Display screen is entered by pressing the AlarmList button. The Alarm Display Screen allows the user to view both real time and historical alarm data in a tabular form. When the **Real** button is displayed the real time alarm is displayed. The Alarm Display Screen shows the date and time of the alarm condition, the channel (Object) which triggered the alarm, the type of alarm which occurred, the value read after the alarm condition, the limit value which was set that triggered the alarm and the value read after the alarm was reset back to a non-alarm state.

Real		Options		Export		
	Time	Object	Type	Value	Limit	Res Val
1	2019-04-02 21:59:43	Panel, PV_3	HIAL	125.1	120.0	-
2	2019-04-02 21:59:42	Panel, PV_2	HIAL	124.8	120.0	-
3	2019-04-02 21:59:40	Panel, PV_6	HIAL	102.0	100.0	-
4	2019-04-02 21:59:39	Panel, PV_5	HIAL	103.1	100.0	-
5						
6						
7						
8						
9						
10						
11						
12						
13						

Panel Curve History DataList MeterOpt PrePage NextPage

Pressing the **Real** button will switch the display to the historical alarm data mode. Pressing the **His.** button will switch back to the real time alarm view.

His.		Options		Export		
	Time	Object	Type	Value	Limit	Res Val
1	2019-04-02 22:59:43	Panel, PV_3	HIAL	125.1	120.0	118.3
2	2019-04-02 22:15:02	Panel, PV_3	HIAL	124.8	120.0	-
3	2019-04-02 22:09:40	Panel, PV_2	HIAL	102.0	100.0	98.1
4	2019-04-02 21:59:39	Panel, PV_2	HIAL	103.1	100.0	-
5	2019-04-02 21:59:39	Panel, PV_2	HIAL	103.1	100.0	99.0
6	2019-04-02 21:45:51	Panel, PV_2	HIAL	103.1	100.0	-
7	2019-04-02 21:34:32	Panel, PV_2	HIAL	103.1	100.0	98.9
8	2019-04-02 21:29:49	Panel, PV_2	HIAL	103.1	100.0	-
9	2019-04-02 21:09:23	Panel, PV_2	HIAL	103.1	100.0	98.7
10	2019-04-02 20:59:11	Panel, PV_2	HIAL	103.1	100.0	-
11	2019-04-02 20:23:33	Panel, PV_2	HIAL	103.1	100.0	99.0
12	2019-04-02 20:23:02	Panel, PV_2	HIAL	103.1	100.0	-
13	2019-04-02 20:19:39	Panel, PV_2	HIAL	103.1	100.0	98.7

Panel Curve History DataList MeterOpt PrePage NextPage

Click NextPage button to scroll to the next page of data and click on the **PrePage** button to scroll the previous page of data

## Export Alarm Data

To export the alarm data, insert a USB flash disk into the slot on the back of the recorder and click on the top **Export** button. A confirmation screen will appear. Press the **Enter** button to confirm and save the data. The currently displayed alarm table will be exported to the USB drive to an Excel compatible file named alldata.csv.

*Please note; it may take a few minutes after the USB flash drive is inserted before it is recognized by the recorder.*

## Channel Configurations Screen (MeterOpt Button)

The channel configuration screen provides access to viewing and modifying the major setting related to the recorder operation. Upon entering the channel configuration screen all of configuration parameters for the current channel will be displayed. By pressing the **PreCH** and **NextCH** buttons the previous and next channels parameters may be viewed/modified.

CH Name  Meter Type  Unit  Save Interval  s

Sn <input type="text" value="K"/>	OPH <input type="text" value="200"/>	HIAL <input type="text" value="200"/>	<input type="button" value="ReRead"/>
dIH <input type="text" value="1000"/>	OPL <input type="text" value="40"/>	LOAL <input type="text" value="40"/>	<input type="button" value="DownLoad"/>
dIL <input type="text" value="0"/>	dL <input type="text" value="0"/>	dF <input type="text" value="1"/>	<input type="button" value="PreCH"/>
Sc <input type="text" value="0"/>	AF <input type="text" value="0"/>	ALP <input type="text" value="44"/>	<input type="button" value="NextCH"/>
OPn <input type="text" value="Alarm"/>	dIP <input type="text" value="0.00"/>	nonc <input type="text" value="0.00"/>	

### Modifying the current channel parameters

Clicking on a parameter will bring up a menu that will allow the entry to be changed either by direct entry or from a selection of multiple choices. Once all the parameters have been changed press the **DownLoad** button to save the changes to the recorder.

**CH Name:** A label which is applied to the given channel.

**Meter Type:** Factory set identifier for the recorder.

**Unit:** Is a label for the units appearing in association with a given channel. This menu is fixed for some of the input modules.

### Save Interval

This sets the logging interval. The minimum logging interval is 1 second. Although larger intervals may be entered, we recommend a maximum interval of 300s.

### Reread Button

Restores the last settings saved to the recorder's memory

### DownLoad Button

Saves the current settings to the recorder's memory

### SetCode

Used to change the password.

### SetTime

Used to set the real time clock.

### Channel Parameters

A summary of the channel parameters is given below. **A more complete description is provided in the Appendix..**

Setting	Function
AF	<i>Advanced Function (AF)*</i>
ALP	Alarm Output Position Assignment
DF	Hysteresis Deadband
dIH	Upper Limit of the Scaled Input
dIL	Lower Limit of the Scaled Input
dIP	Decimal Point Position
dL	Digital Filtering Value
HIAL	High Alarm Limit Value
LOAL	Low Alarm Limit Value
nonc	<i>Normally open / normally closed*</i>
OPH	<i>Output Current High Limit*</i>
OPL	<i>Output Current Low Limit*</i>
OPn	Output Type
Sc	Offset Correction
Sn	Input Specification

\* This parameter is not active in the current configuration of the recorder.

## Appendix

### Channel Parameters

Setting	Description
High Alarm Limit Value (HIAL)	High alarm value for the selected input channel (n). When the measured value is goes above the corresponding channel HIAL a high limit alarm is triggered. The alarm will stay active until the process value drops below the alarm limit less the hysteresis value (ie, HIAL- dF)
Low Alarm Limit Value (LOAL)	Low alarm value for the selected input channel(n). When the measured value drops below the corresponding channel LOAL a low limit alarm is triggered. The alarm will stay active until the process value rises above the alarm limit plus the hysteresis value (ie, LOAL+ dF) The alarm function should not be set to the limit value to avoid the alarm action.
Hysteresis Deadband (DF)	The hysteresis deadband is used to avoid rapid fluctuations of the alarm state condition caused by input values which hover around the limit alarm value. For a high limit alarm condition to reset the value must not only drop below the high limit alarm but below the high limit alarm minus the hysteresis deadband. Low limit alarms will not reset until a process value goes above the low limit alarm plus the hysteresis deadband..
Input Specification (Sn)	Allows the input type is set for each channel. The input types are specific to the input module installed:  <b>Thermocouples:</b> K, S, R, T, E,J, B, N, WRe3-WRe25, WRe5-WRe26 <b>IR Thermometer:</b> F2 <b>RTDs:</b> Cu50, PT100, PT100*(-100.00~+ 300.00 °C) <b>Millivolt:</b> 0-20mV, 0-75mV, 0-100mV <b>Voltage:</b> , 0-5V, 1-5V <b>Milliamp:</b> 0-20mA, 4-20mA <b>Calculations:</b> Square root of 4-20mA (J4 module), Square root of 1-5V(J3 module)
Decimal Point Position (dIP)	dIP is used to set the decimal point position. (1) For linear Input (eg. voltage): dIP = 0 => 0 dIP = 1 => 0.0 dIP = 2=> 0.00 dIP = 3=> 0.000  (2) For thermocouples or RTD input: dIP = 0 => 1 °C. dIP = 1 => 0.1 °C.  NOTE: This setting is only valid for display, the measurement resolution is fixed at an internal value of 0.1 °C, it does not affect communication or transmission output. When set to 0.1 °C, the temperature measurements above 1000 °C will automatically switch to 1 °C resolution.
Lower Limit of the Scaled Input (DI)	This parameter applies to voltage and current inputs. It sets the upper limit of the input value so it may be scaled to engineering units
Upper Limit of the Scaled Input (dIH)	This parameter applies to voltage and current inputs. It sets the lower limit of the input value so it may be scaled to engineering units
Offset Correction (Sc)	Sc is an offset correction applies to the process value. It is most often use with temperature sensors to correct errors in the sensor
Digital Filtering Value (dL)	dL is the intensity setting for the digital filter. The value may be set from 0-40 where, 0 is no filtering and 40 is the maximum digital filter level. Increasing the digital filter will produce a more stable measurement reading but will also slow the response time. It is generally recommended to start with no filtering and increase the filtering as needed.
Alarm Output Position Assignment (ALP)	ALP assigns the physical outputs associated with the internal alarms generated by HIAL and LOAL. The value for ALP is a two-digit value where the least significant digit (units' position) assigns the HIAL alarm and the most significant digit (tens position) assigns the LOAL.alarm. Valid values are 0, 3 and 5 where 0 is no alarm, 3 is the relay in slot ALM and 5 is the relay in slot AUX. A typical assignment is for the same relay to be used for both the high and low alarm condition resulting in a value of 33 or 55. If more than one channel is set to activate an output, the control of that output is determined by a logical OR of the alarms. That is if any channel goes into an alarm state, the output will be activated.
Advanced Function (AF)	Currently used for internal configuration.
Normally Open / Normally Closed Setting (nonc)	This parameter is not active in the current configuration of the recorder.
Output Type (OPn)	Sets the output configuration. Alarm output is the only valid setting for the recorder's current configuration.
Output Current Low Limit (OPL)	This parameter is not active in the current configuration of the recorder.
Output Current High Limit (OPH)	This parameter is not active in the current configuration of the recorder.

## **Warranty Terms**

IOThrifty LLC ("IOThrifty") warrants that for a period of one year following delivery, the IOThrifty products you have purchased will (a) perform in accordance with published specifications, and (b) will be free from defects in materials or workmanship. In the event an IOThrifty Product does not meet this warranty, subject to the conditions set forth in these terms and conditions, IOThrifty's sole obligation will be, at its election, to repair or replace the product in question or to refund the purchase price.

IOThrifty MAKES NO OTHER WARRANTIES, EXPRESS OR IMPLIED, AND ALL IMPLIED WARRANTIES OF MERCHANTABILITY, NON-INFRINGEMENT AND FITNESS FOR A PARTICULAR PURPOSE ARE HEREBY DISCLAIMED. IN NO EVENT WILL IOTHRIFTY BE LIABLE FOR PUNITIVE, SPECIAL OR CONSEQUENTIAL DAMAGES, OR FOR AN AMOUNT IN EXCESS OF THE PURCHASE PRICE OF THE DEFECTIVE IOTHRIFTY PRODUCT OR PRODUCTS.

This warranty will not apply to any IOThrifty Products that have been (a) damaged by lightning, water, or power surges, (b) neglected, altered, abused, or used for a purpose other than the purpose for they were provided, (c) repaired by you or any other party without IOThrifty's prior written authorization, (d) used in conjunction with a third party product or products not approved in advance by IOThrifty, or (e) otherwise used in a manner inconsistent with any instructions provided by IOThrifty.

## **Return Procedures**

To return an item first contact IOThrifty's Customer Service Department to obtain an RMA number. Email: [service@IOThrifty.com](mailto:service@IOThrifty.com), Telephone: (860) 733-1117

## **Copyright**

© Copyright 2018 IOThrifty LLC. All rights reserved. This document may not be copied, photocopied, reproduced, translated, or reduced to any electronic medium or machine-readable form, in whole or in part, without the prior written consent of