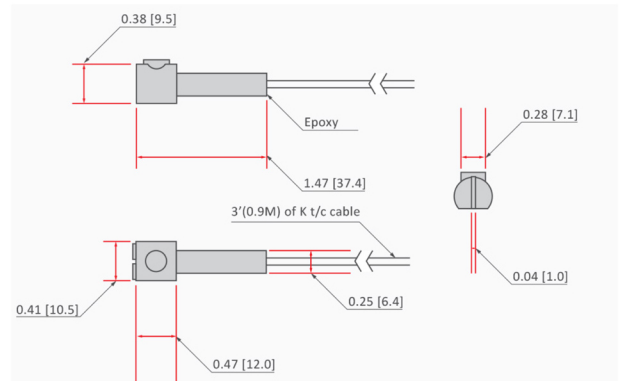


MICRO IRT/C.SV

Product Overview

The Micro IRT/c.SV features:

- Infrared Thermocouple IRt/c
- Non-contact
- Self-powered
- Intrinsically Safe
- Repeatability 0.02°F (0.01°C)
- Interchangeability ±1%
- Resolution approx. 0.0003°C
- Small Size



Technical Data

Sensing Range	0 to 975°F (-18 to 524°C)
Ambient Temperature Range	-29 to 185°F (-20 to 85°C) permanent -29 to 212°F (-20 to 100°C) non permanent
Optimum Range Selections	Eight models per t/c type (see Temperature selection Chart)
Field of View	approximately 1:2 (110°)
Minimum Spot Size	.1" (3mm)
Spectral Response	5.5 to 20µm
Output Impedance	17-45 Kohms
Response Time	50 Milliseconds

Dimensions	See diagram above
Housing	Stainless Steel, Hermetically sealed, exceeds NEMA 4X, IP67
Cable	3 feet of unshielded, duplex insulated, type K, 24 AWG, PFA jacket rated to 500°F (260°C) (Shielded cable available upon request)
Weight	Approximately 1oz. (30 grams) with cable
Input Device Compatibility	It is recommended to use input devices with less than 1 nA of leakage current to minimize offsets, and sensor break detection should be set to 45 Kohm maximum.

Calibration

Ordering information **Micro IRT/c.SV-K-** (Pre-calibrated Temperature Range).

Temperature Selection Chart

