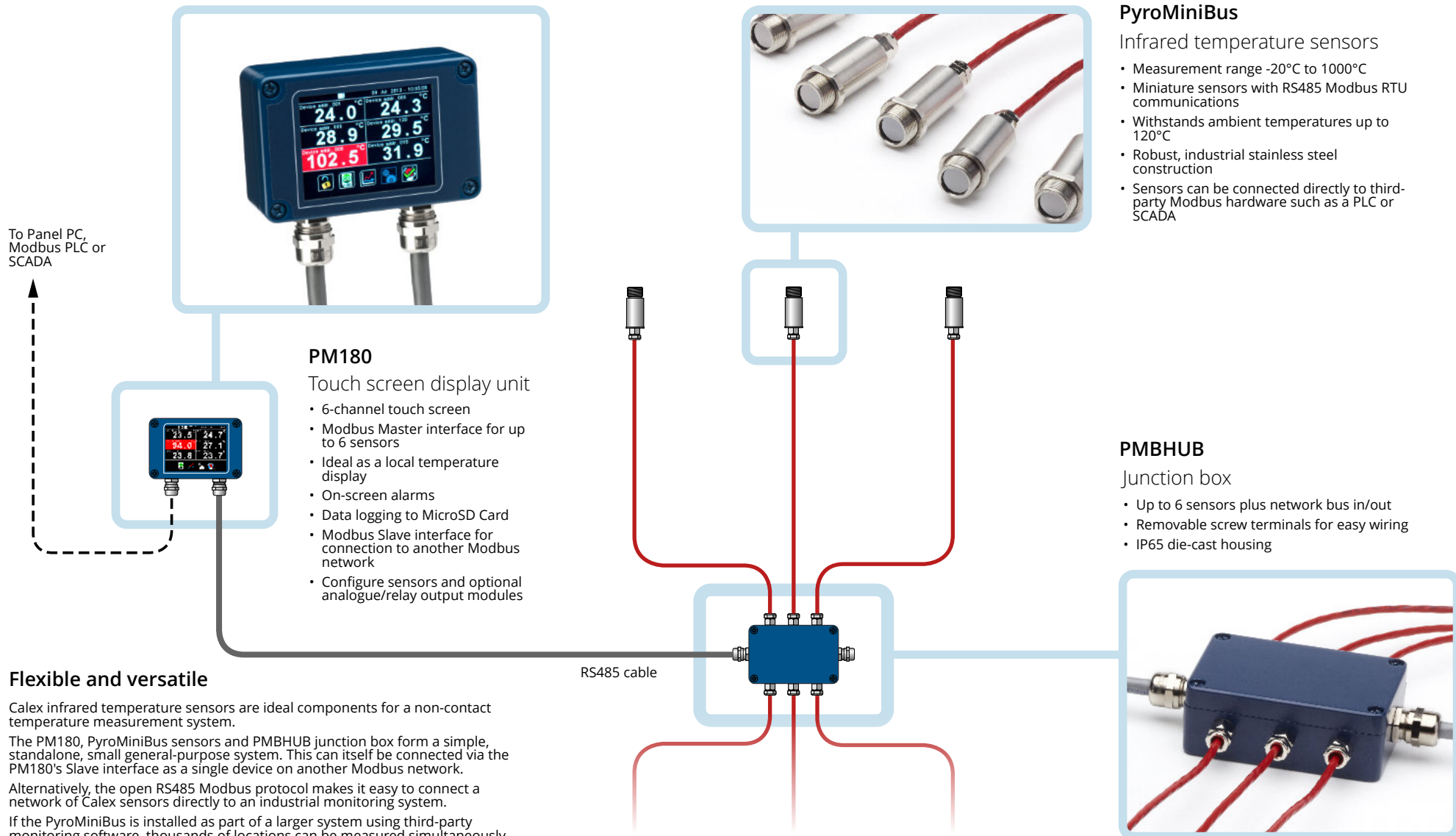


PyroMiniBus Temperature Measurement System

Distributed by: IOThrifty
website: IOThrifty.com
email: info@IOThrifty.com



PyroMiniBus

Infrared temperature sensors

- Measurement range -20°C to 1000°C
- Miniature sensors with RS485 Modbus RTU communications
- Withstands ambient temperatures up to 120°C
- Robust, industrial stainless steel construction
- Sensors can be connected directly to third-party Modbus hardware such as a PLC or SCADA

PM180

Touch screen display unit

- 6-channel touch screen
- Modbus Master interface for up to 6 sensors
- Ideal as a local temperature display
- On-screen alarms
- Data logging to MicroSD Card
- Modbus Slave interface for connection to another Modbus network
- Configure sensors and optional analogue/relay output modules

PMBHUB

Junction box

- Up to 6 sensors plus network bus in/out
- Removable screw terminals for easy wiring
- IP65 die-cast housing

Flexible and versatile

Calex infrared temperature sensors are ideal components for a non-contact temperature measurement system.

The PM180, PyroMiniBus sensors and PMBHUB junction box form a simple, standalone, small general-purpose system. This can itself be connected via the PM180's Slave interface as a single device on another Modbus network.

Alternatively, the open RS485 Modbus protocol makes it easy to connect a network of Calex sensors directly to an industrial monitoring system.

If the PyroMiniBus is installed as part of a larger system using third-party monitoring software, thousands of locations can be measured simultaneously.