

# ADAPTRONIC

- engine management -

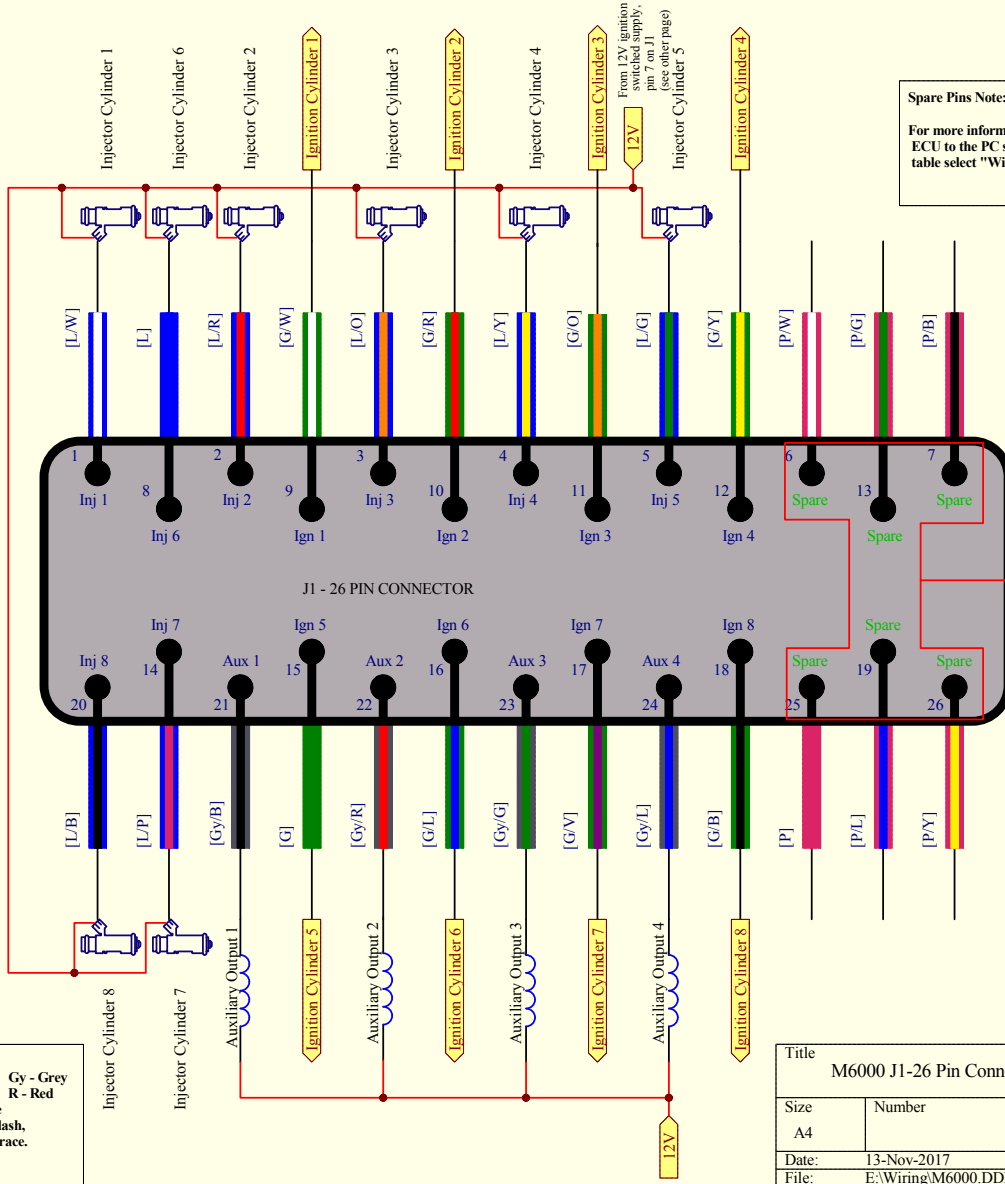
## M6000 J1-26 Pin Connector Wiring Diagram

**Injector Output Notes:**  
 1. Injector outputs can also be driven-low auxiliary outputs, PWM capable with max current of 4A.  
 2. Injector outputs are wired in cylinder order. (eg 1-1, 2-2 etc)

**Injector Supply Note:**  
 The same 12V that supply Pin 7 of J1-34 pin connector on the other sheet.

**Ignition Output Notes:**  
 1. Ignition outputs can also be driven-low auxiliary outputs with max current of 0.5A.  
 2. All ignition outputs must use external ignitor or coils with built-in ignitor.  
 3. Ignition outputs are wired in cylinder order. (eg 1-1, 2-2 etc)

**Spare Pins Note:**  
 For more information about spare pins, connect the ECU to the PC software "Eugene" and from the home table select "Wiring and Installation".



See "Small Modules Wiring Diagram" sheet for details.

**Additional Note:**  
 For staged injection and split spark modes, see application specific wiring diagrams or connect the ECU to the PC software "Eugene", and from the home tab select "Wiring and Installation".

**Wire Colors Note:**  
 B - Black Br - Brown G - Green Gy - Grey  
 L - Blue O - Orange P - Pink R - Red  
 V - Violet Y - Yellow W - White  
 If wire has two colors shown with a slash, eg [B/R], it means black with a red trace.

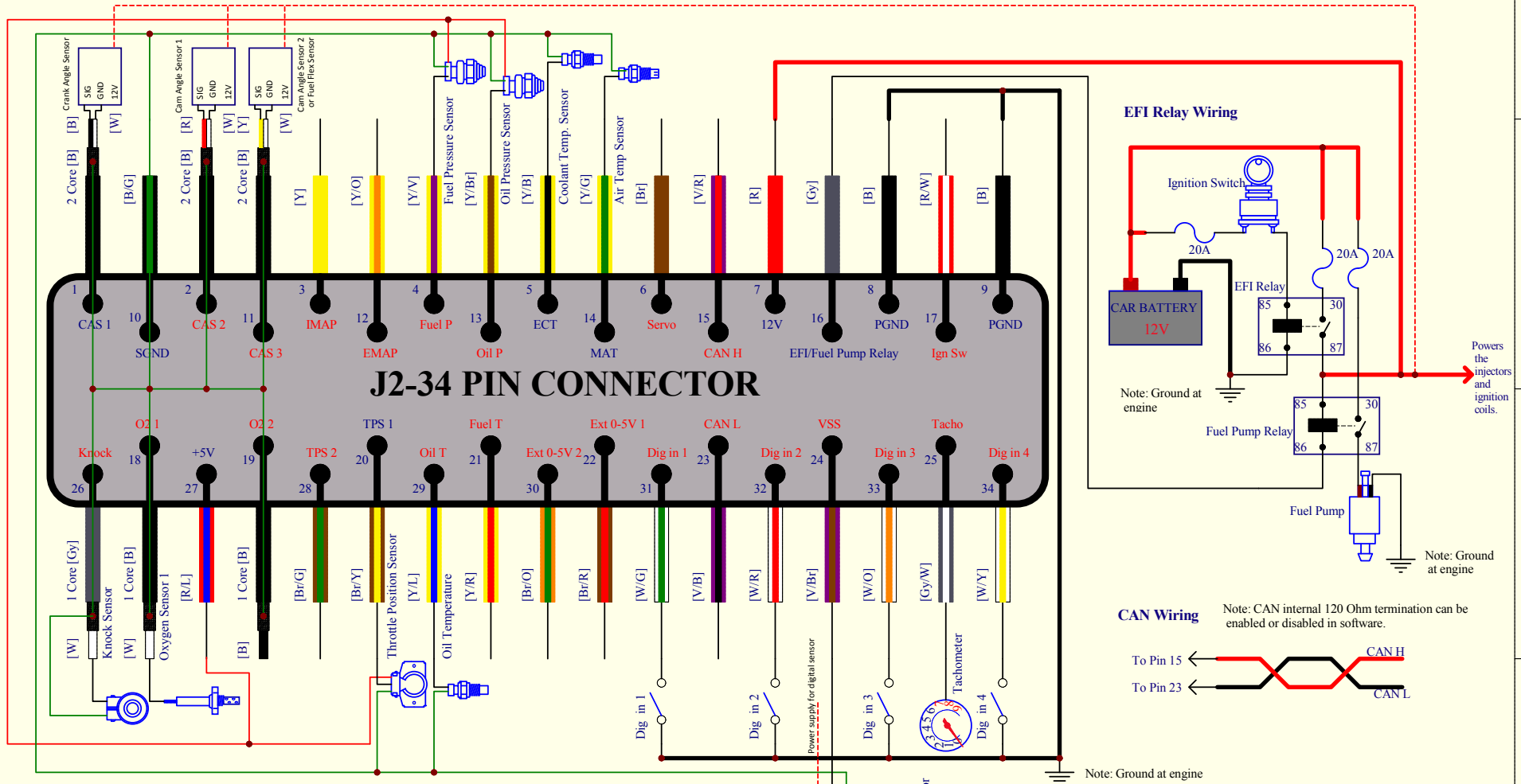
Title M6000 J1-26 Pin Connector Wiring Diagram		
Size A4	Number	Revision 1
Date: 13-Nov-2017	Sheet of	
File: E:\Wiring\M6000.DDB	Drawn By: J.K. Ocampo	

# ADAPTRONIC

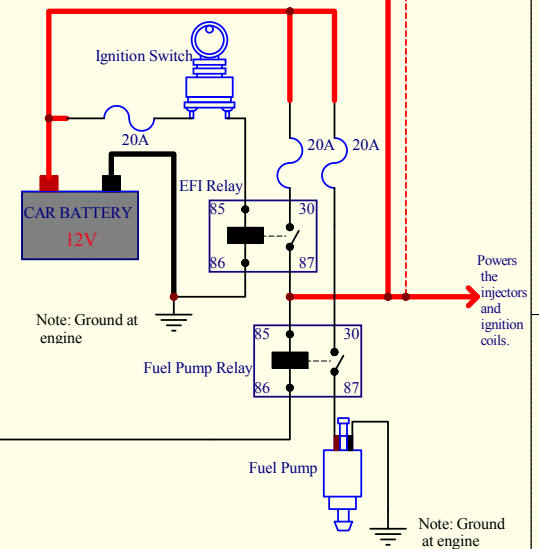
- engine management -

# M6000 J2-34 Pin Connector Wiring Diagram

Note: 12V power for digital sensors.



### EFI Relay Wiring



### CAN Wiring

Note: CAN internal 120 Ohm termination can be enabled or disabled in software.



**Wire Colors Note:**  
 B - Black Br - Brown G - Green Gy - Grey  
 L - Blue O - Orange P - Pink R - Red  
 V - Violet Y - Yellow W - White  
 If wire has two colors shown with a slash, eg [B/R], it means black with a red trace.

**Note:**  
 1. Pins with red text are optional.  
 2. Shielded wires are already connected to the sensor ground (SGND).

Title M6000 J2-34 Pin Connector Wiring Diagram		
Size A4	Number	Revision 1
Date: 13-Nov-2017	Sheet of	
File: E:\Wiring\M6000.DDB	Drawn By: J.K. Ocampo	

# ADAPTRONIC

- engine management -

## M6000 J3-26 Pin Connector Wiring Diagram

**Injector Output Notes:**  
 1. Injector outputs can also be driven-low auxiliary outputs, PWM capable with max current of 4A.  
 2. Injector outputs are wired in cylinder order. (eg 1-1, 2-2 etc)

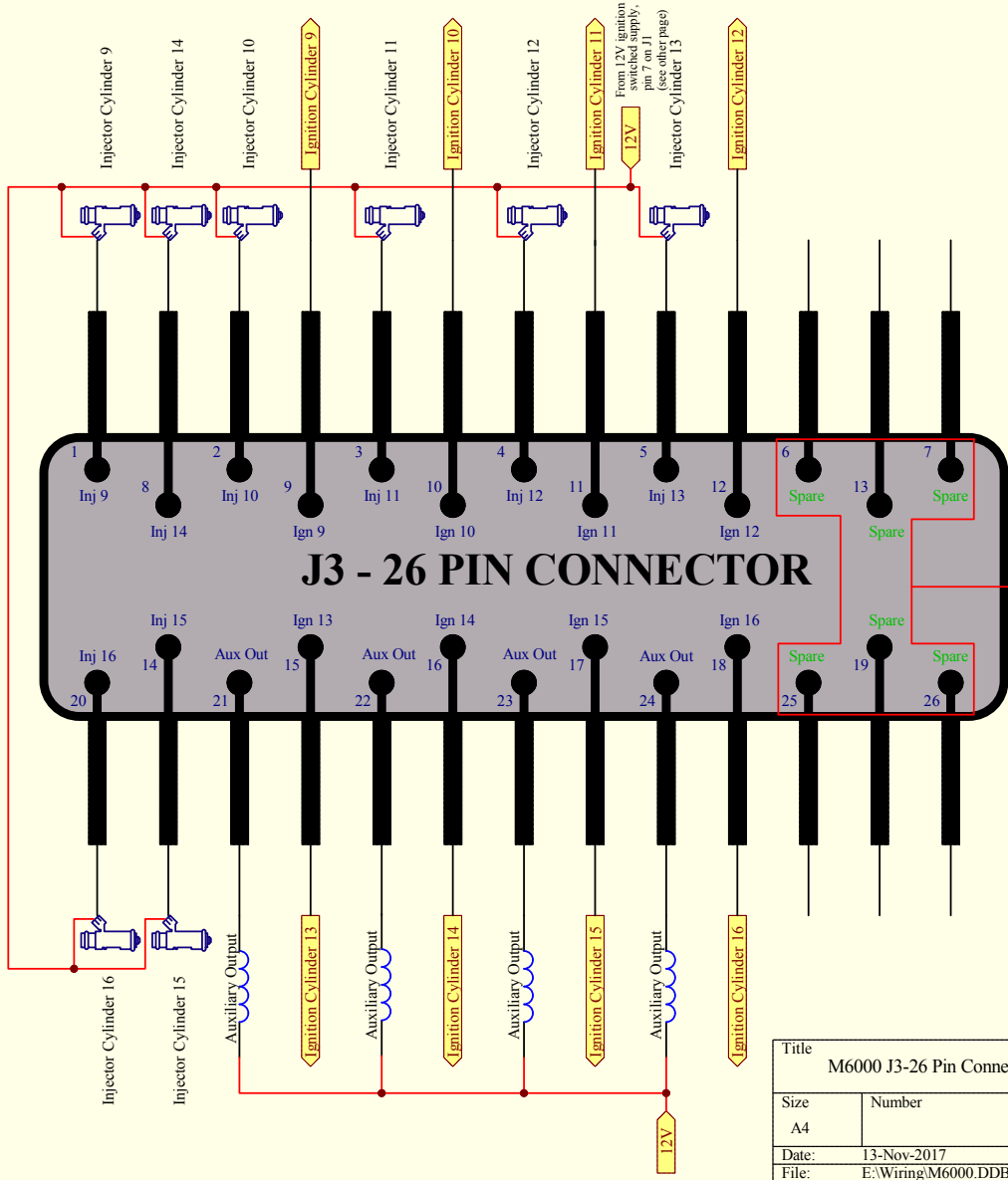
**Injector Supply Note:**  
 The same 12V that supply Pin 7 of J1-34 pin connector on the other sheet.

**Note:**  
 J3-26 pins 1-26 are normally blank and not connected to anything internally unless you upgrade the M6000 with the needed modules.

**Ignition Output Notes:**  
 1. Ignition outputs can also be driven-low auxiliary outputs with max current of 0.5A.  
 2. All ignition outputs must use external ignitor or coils with built-in ignitor.  
 3. Ignition outputs are wired in cylinder order. (eg 1-1, 2-2 etc)

**Additional Note:**  
 For staged injection and split spark modes, see application specific wiring diagrams or connect the ECU to the PC software "Eugene", and from the home tab select "Wiring and Installation".

**Notes:**  
 1. Pins with green text are designated for small module outputs.  
 2. Small module outputs may vary depending on the module/s installed.



Title M6000 J3-26 Pin Connector Wiring Diagram		
Size A4	Number	Revision 1
Date: 13-Nov-2017	Sheet of	
File: E:\Wiring\M6000.DDB	Drawn By: J.K. Ocampo	

# ADAPTRONIC

- engine management -

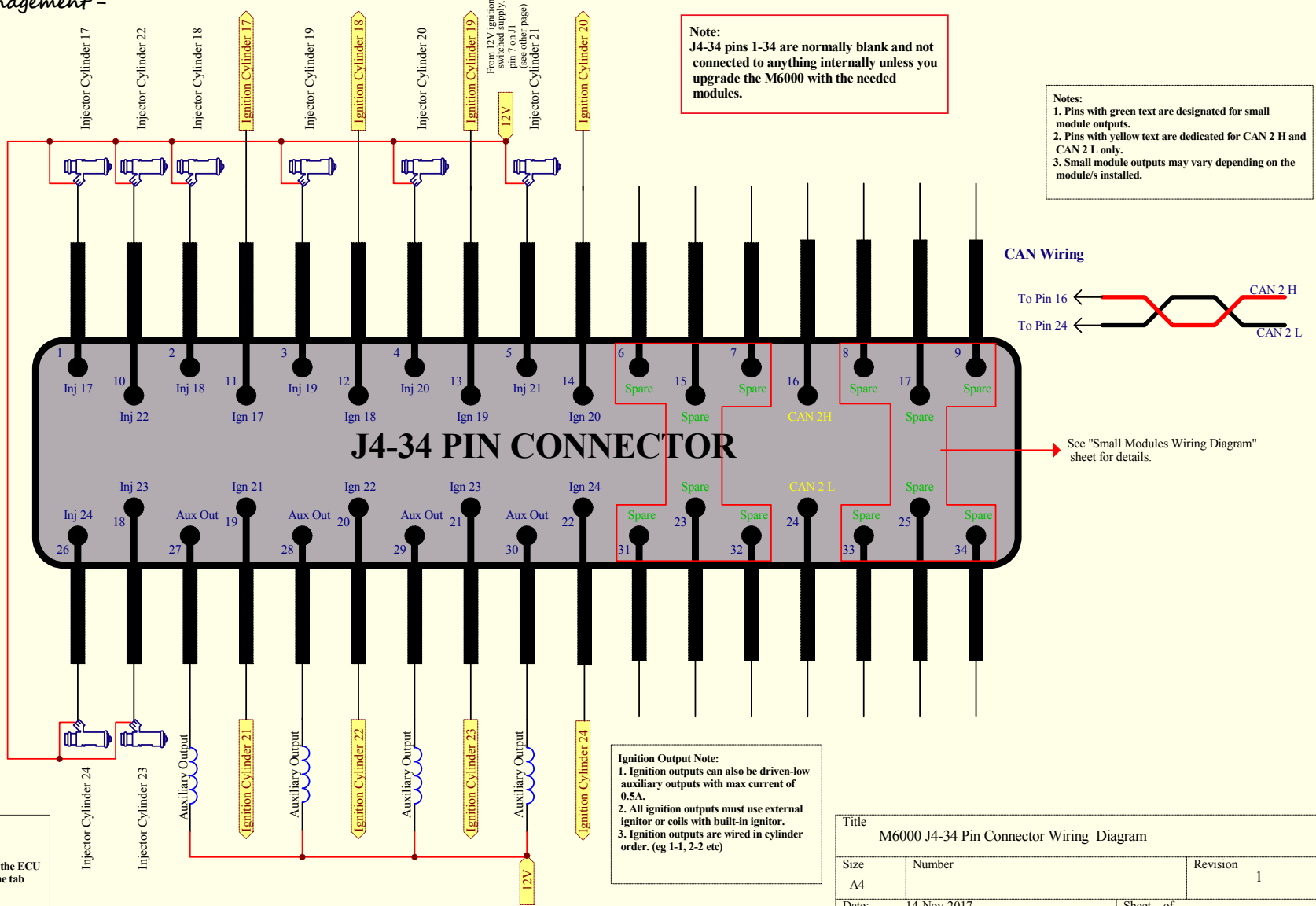
## M6000 J4-34 Pin Connector Wiring Diagram

**Injector Output Note:**  
 1. Injector outputs can also be driven-low auxiliary outputs, PWM capable with max current of 4A.  
 2. Injector outputs are wired in cylinder order. (eg 1-1, 2-2 etc)

**Injector Supply Note:**  
 1. The same 12V that supply Pin 7 of J1-34 pin connector on the other sheet.

**Note:**  
 J4-34 pins 1-34 are normally blank and not connected to anything internally unless you upgrade the M6000 with the needed modules.

**Notes:**  
 1. Pins with green text are designated for small module outputs.  
 2. Pins with yellow text are dedicated for CAN 2 H and CAN 2 L only.  
 3. Small module outputs may vary depending on the module/s installed.



**Additional Note:**  
 For staged injection and split spark modes, see application specific wiring diagrams or connect the ECU to the PC software "Eugene", and from the home tab select "Wiring and Installation".

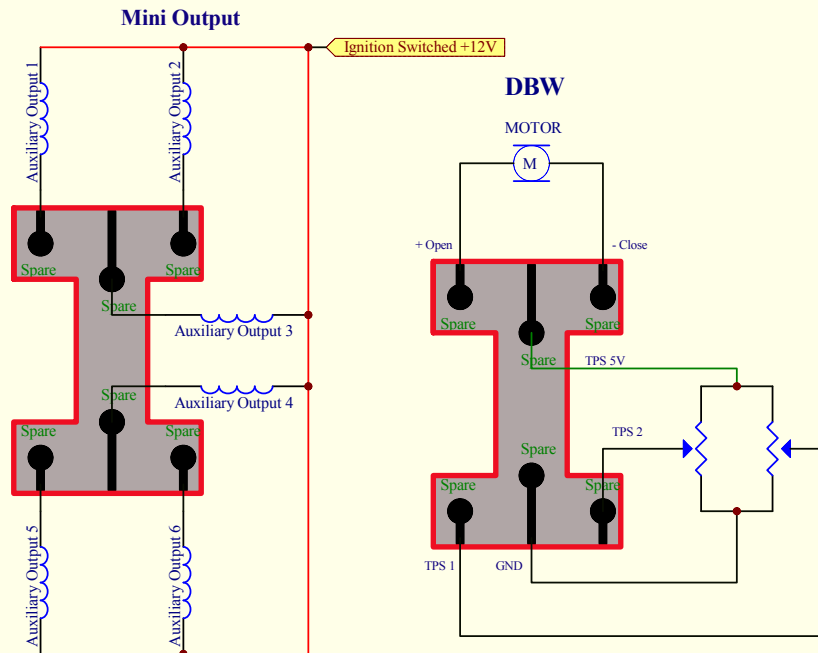
**Ignition Output Note:**  
 1. Ignition outputs can also be driven-low auxiliary outputs with max current of 0.5A.  
 2. All ignition outputs must use external ignitor or coils with built-in ignitor.  
 3. Ignition outputs are wired in cylinder order. (eg 1-1, 2-2 etc)



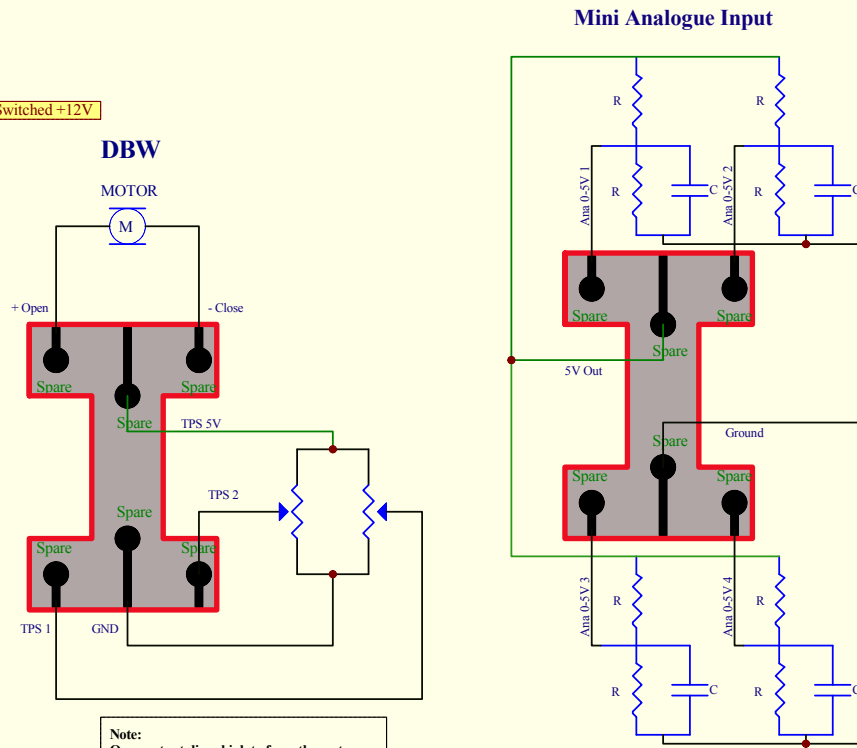
See "Small Modules Wiring Diagram" sheet for details.

Title M6000 J4-34 Pin Connector Wiring Diagram		
Size A4	Number	Revision 1
Date: 14-Nov-2017	Sheet of	
File: E:\Wiring\M6000.DDB	Drawn By: J.K. Ocampo	

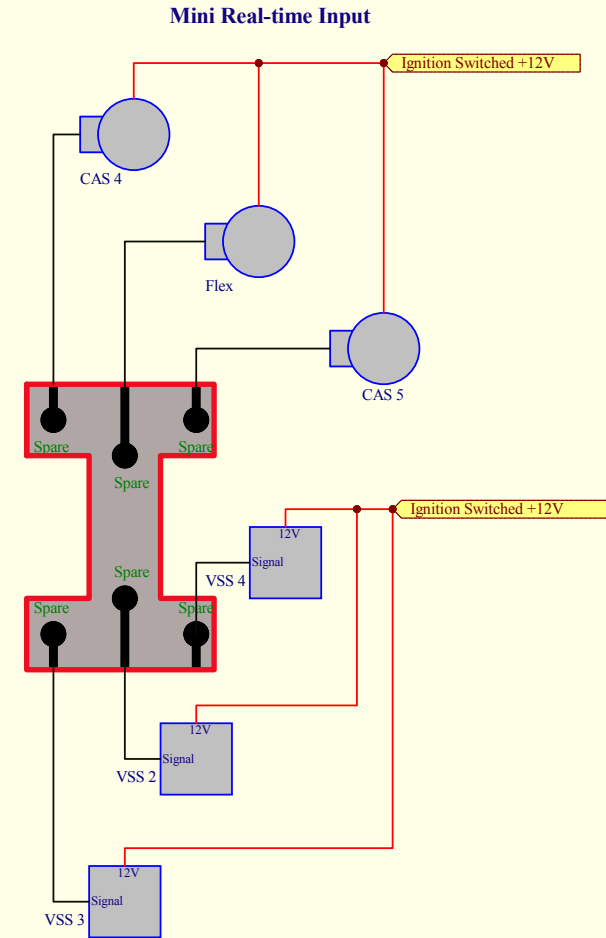
## Small Modules Wiring Diagram



Notes:  
 1. Can drive high or low  
 2. Max sink current = 4A  
 3. Max source current = 1A  
 4. Objects must not be powered up when ECU is not powered up.  
 (Same as aux outputs on ECU)



Note:  
 Open output dives high to force the motor open.



Title Small Modules Wiring Diagram		
Size A4	Number	Revision 1
Date: 13-Nov-2017	Sheet of	
File: E:\Wiring\M6000.DDB	Drawn By:	J.K. Ocampo