

ADAPTRONIC
- engine management -

M2000 J1-26 Pin Connector Wiring Diagram

Injector Output Note:

1. Injector outputs can also be driven-low auxiliary outputs, PWM capable, max current of 4A.
2. Injector outputs are wired in cylinder order. (eg 1-1, 2-2 etc)

Injector Supply Note:
The same 12V that supply Pin 7 of J1-34 pin connector on the other sheet.

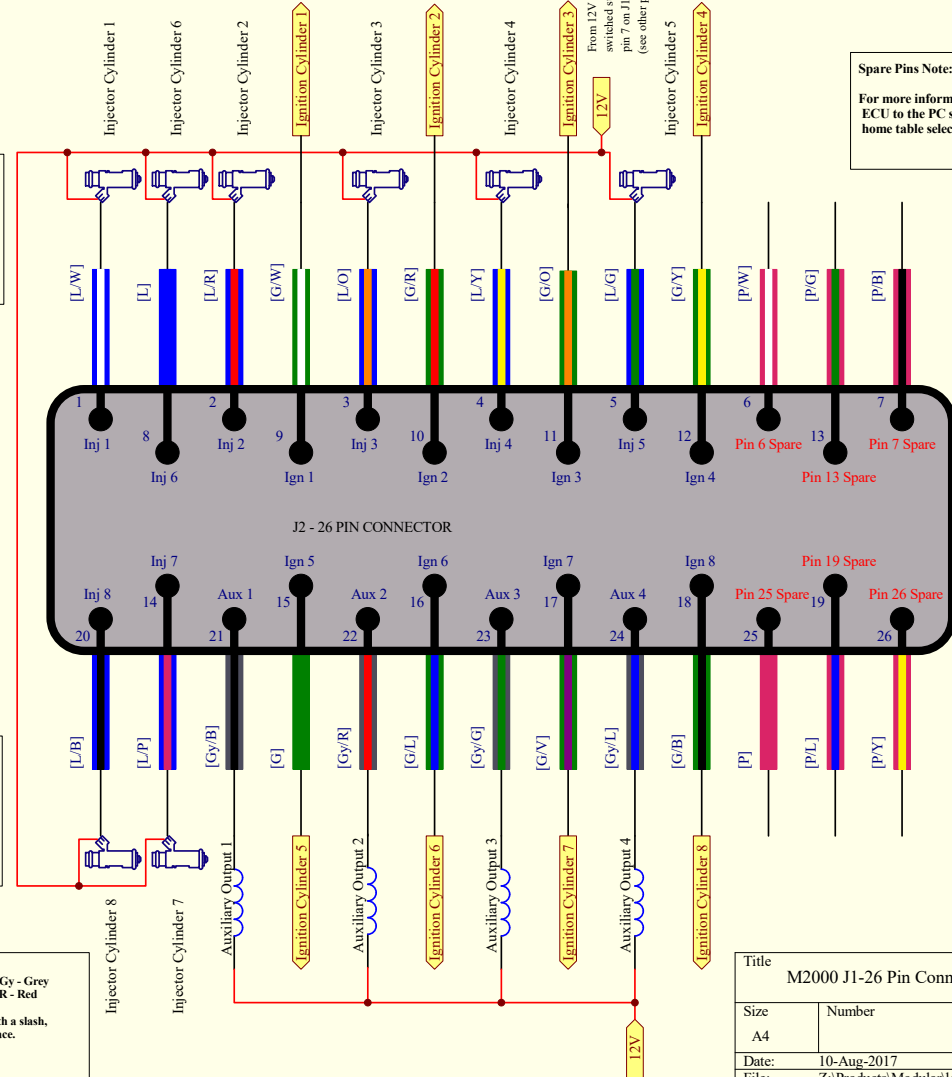
Spare Pins Note:
For more information about spare pins, connect the ECU to the PC software "Eugene" and from the home table select "Wiring and Installation".

Ignition Output Note:

1. Ignition outputs can also be driven-low auxiliary outputs, max current of 0.5A.
2. All ignition outputs must use external ignitor or coils with built-in ignitor.
3. Ignition outputs are wired in cylinder order. (eg 1-1, 2-2 etc)

Additional Note:
For staged injection and split spark modes, see application specific wiring diagrams or connect the ECU to the PC software "Eugene", and from the home tab select "Wiring and Installation".

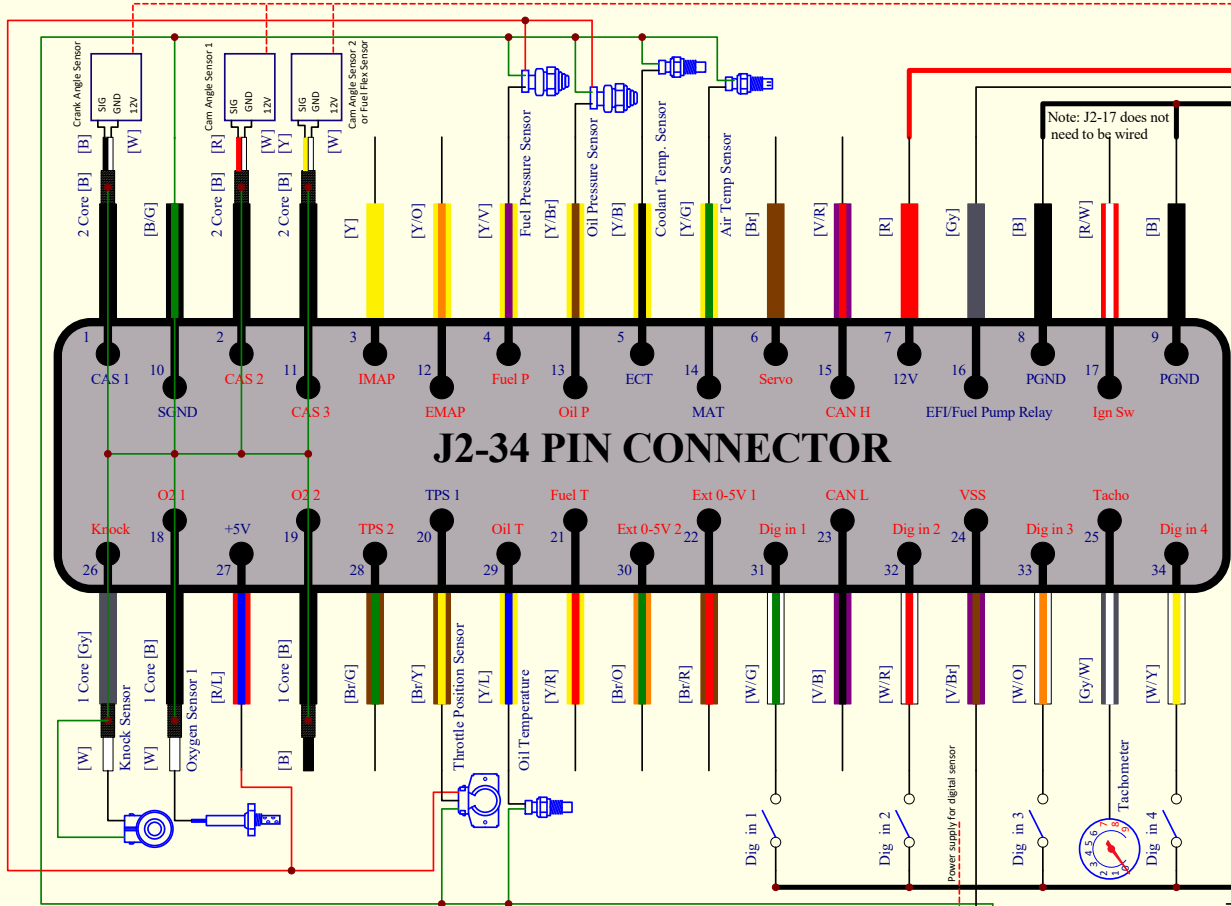
Wire Colors Note:
B - Black Br - Brown G - Green Gy - Grey
L - Blue O - Orange P - Pink R - Red
V - Violet Y - Yellow W - White
If wire has two colors and is shown with a slash, eg [B/R], it means black with a red trace.



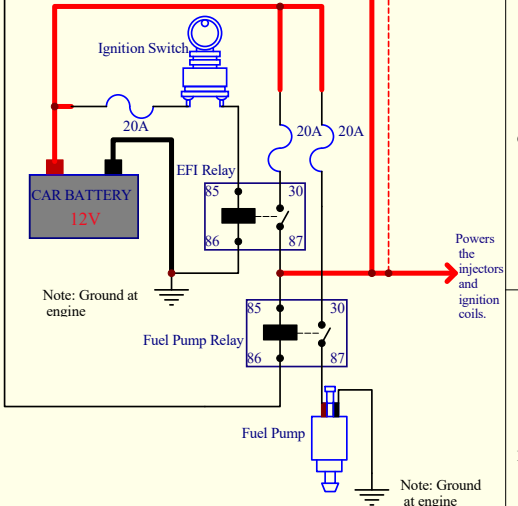
Title		
M2000 J1-26 Pin Connector Wiring Diagram		
Size	Number	Revision
A4		1
Date:	10-Aug-2017	Sheet of
File:	Z:\Products\Modular\looms\M2000 long	Drawn by: Juan Flores

M2000 J2-34 Pin Connector Wiring Diagram

Note: 12V power for digital sensors.



EFI Relay Wiring



CAN Wiring



Note: Ground at engine

Wire Colors Note:
B - Black Br - Brown G - Green Gy - Grey
L - Blue O - Orange P - Pink R - Red
V - Violet Y - Yellow W - White
If wire has two colors and is shown with a slash, eg [B/R], it means black with a red trace.

Note:
1. Pins with red text are optional.
2. Shielded wires are already connected to the sensor ground (SGND).

Title M2000 J2-34 Pin Connector Wiring Diagram		
Size A4	Number	Revision 1
Date: 28-Jul-2017	Sheet of 2	
File: \\MARGE\Technical\Products\Modular\loop\2017\09\Jean Krizek\Hortentno.DDB		