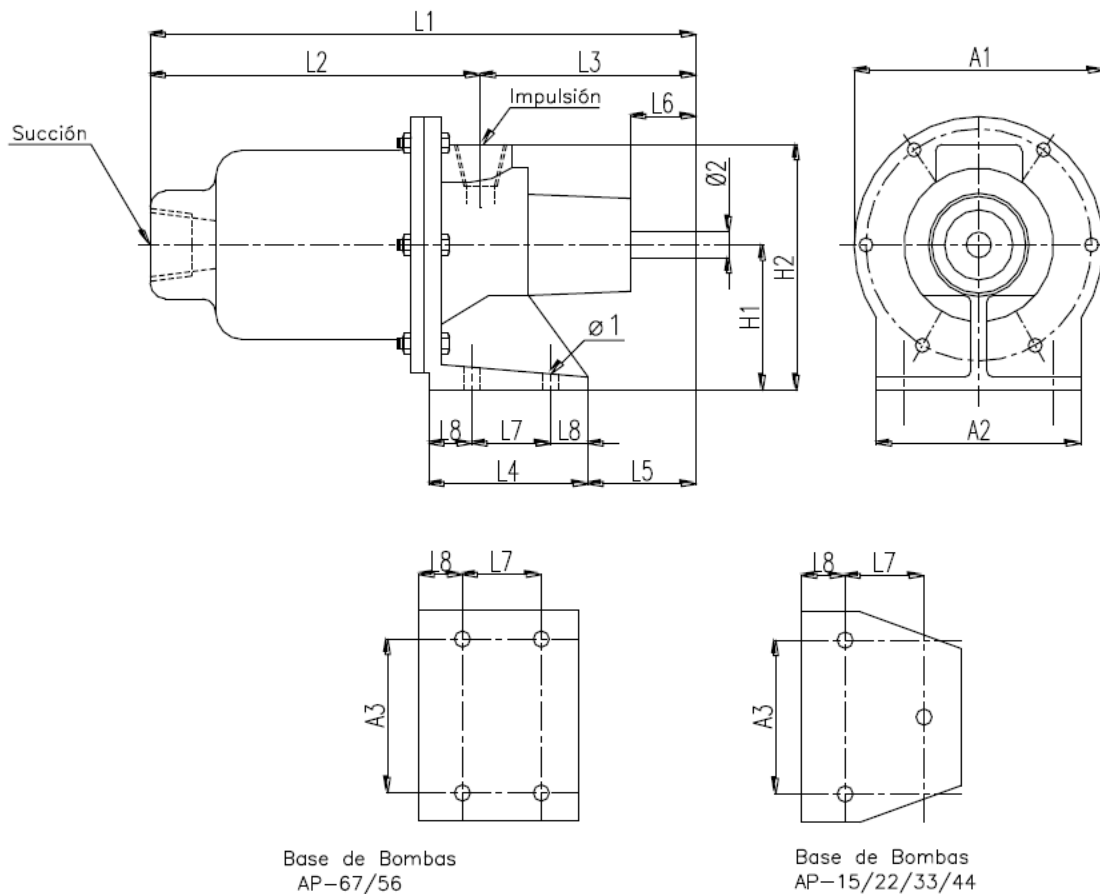
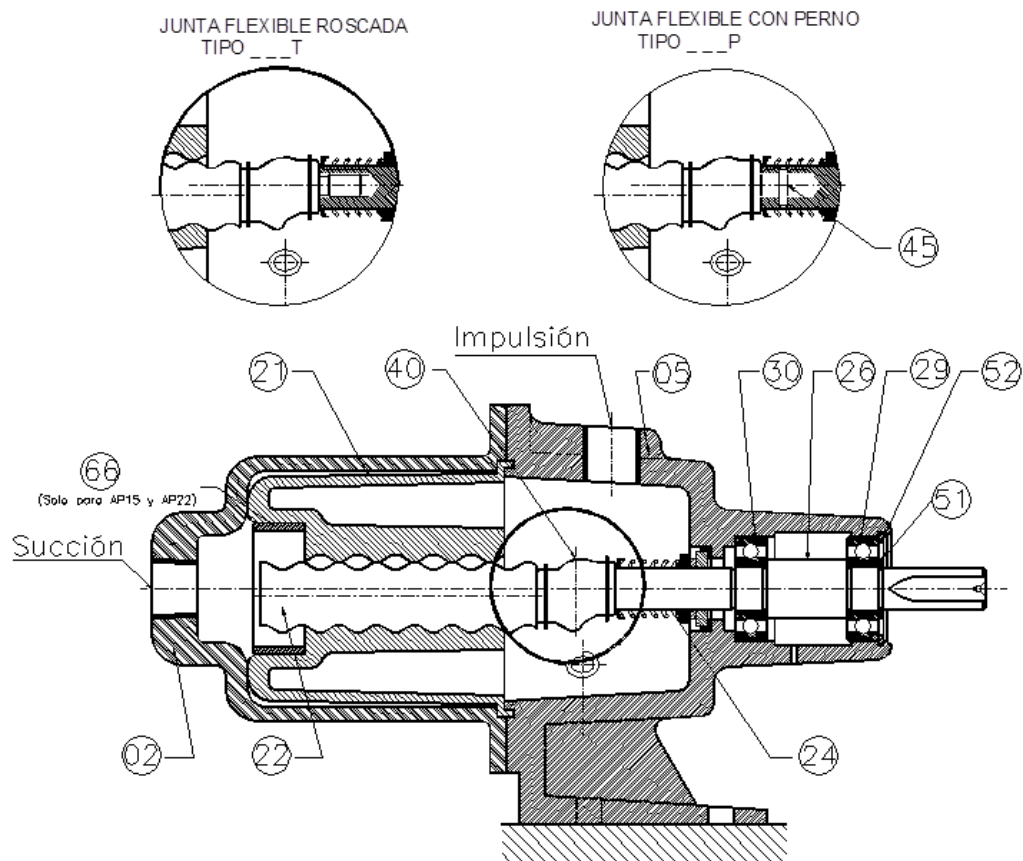




## WP Series



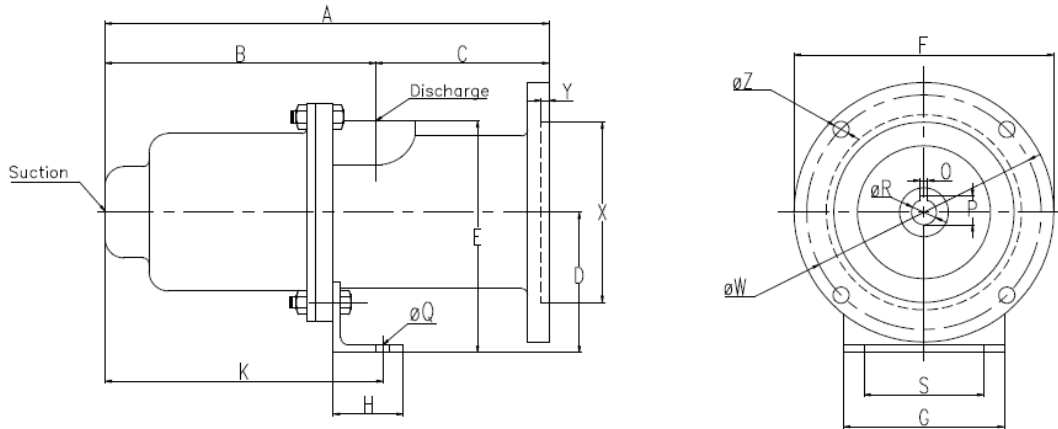
Model	L1	L2	L3	H1	H2	A1	A2	L4	A3	L5	L6	L7	L8	Ø1	Ø2	Suction	Discharge
WP15/22/33/44	12.44	6.85	5.59	3.50	5.91	5.47	3.31	3.70	2.00	3.27	1.42	1.97	1.04	0.37	5/8"	NPT 3/4"	NPT 3/4"
WP56	16.65	9.84	6.81	4.25	7.28	7.48	6.14	4.78	4.49	3.50	2.23	2.50	1.44	0.44	3/4"	NPT 1 1/4"	NPT 1 1/4"
WP67	20.20	12.44	7.76	4.65	8.43	8.27	6.18	4.92	4.49	4.80	2.20	2.54	1.61	0.39	1"	NPT 2"	NPT 2"



# Part	# Part	# Part
02 Suction Case	26 Drive Shaft	51 Shaft ring
05 Discharge Case	29 Bearing	52 Case ring
21 Stator	30 Bearing	66 Stator ring (only for WP15/22)
22 Rotor	40 Flexible Joint	
24 Mechanical Seal	45 Flex joint Pin	



## WPM Series



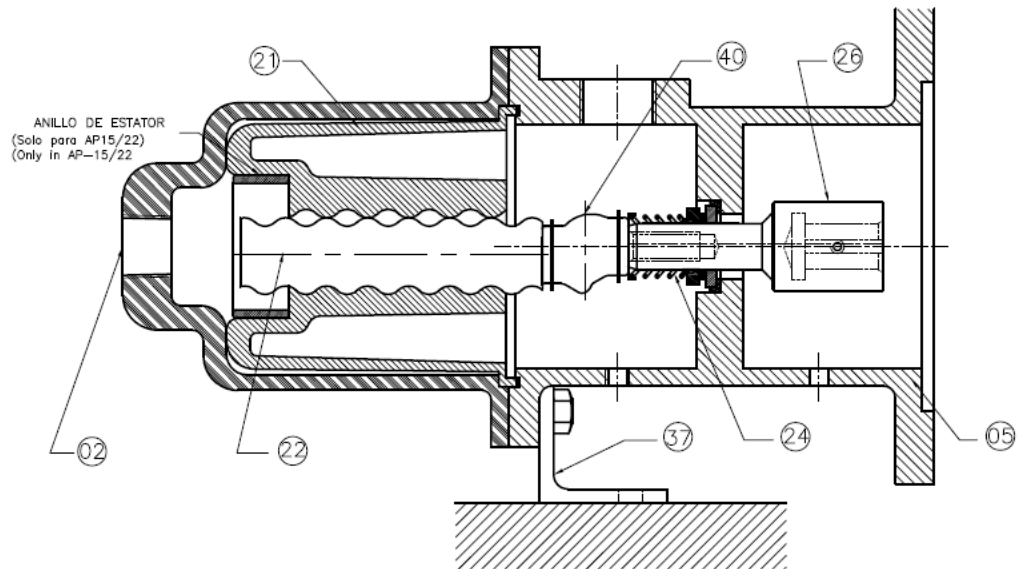
PUMP'S DIMENSIONS

FRAME	A	B	C	D	E	F	G	H	K	O	P	øQ	øR	S	øX	Y	øW	øZ	Suction	Discharge
WPM 15-22 33-44	11 1/8	6 3/4	4 3/8	3.5	5 13/16	6.50	4	1 3/4	6 7/8	0.18	0.71	5/16	0.62	3	4.51	0.17	4.88	0.28	NPT 3/4" 14t x 1"	NPT 3/4" 14t x 1"
WPM 56	14 5/16	9 7/8	4 7/16	4.5	7 1/2	6.50	4 5/16	2	9 13/16	0.18	0.70	3/8	0.62	3 1/4	4.50	0.13	5.87	0.43	NPT 1 1/4" 11.5t x 1"	NPT 1 1/4" 11.5t x 1"
WPM 67	16 15/16	12 5/16	4 3/8	4.5	8 1/4	6.50	4 3/4	2	11 7/8	0.18	0.95	3/8	0.87	3 11/16	4.50	0.13	5.87	0.43	NPT 2" 11.5t x 1"	NPT 2" 11.5t x 1"

**# Part**

- 02 Suction case
- 05 Discharge case
- 21 Stator
- 22 Rotor
- 24 Mech. Seal
- 26 Drive shaft \*
- 37 Support
- 40 Flexible Joint \*

\*Pinned or Threaded version are available.





PERFORMANCE								
FLOW (GPM @ 20°C)								
PUMP	PRESSURE PSI	SPEED (rpm)						HP
		1750 rpm	1450 rpm	1150 rpm	870 rpm	580 rpm	430 rpm	
WP 15 WPM15	0	1.9	1.5	1.3	1	.7	.5	0.5 HP
	23	1.7	1.3	1	.5	.2	.1	
	47	1.5	1.2	.9	.2			
	71	1.2	1	.8				
	94	1	.8	.7				0.75 HP
	114	.8	.6	.5				
	142	.6	.5	.4				
WP 22 WPM 22	0	4.8	4.0	3.2	2.4	1.6	1.2	0.5 HP
	23	4.1	3.2	2.7	2.0	1.3	0.9	
	47	3.4	2.7	2.2	1.6	1.0	0.7	
	71	2.6	2.0	1.7	1.3	0.8	0.6	0.75 HP
	92	2.0	1.6	1.5	1.0	0.6	0.4	
WP 33 WPM 33	0	9.4	7.5	6.0	4.6	3.1	2.3	0.5 HP
	23	7.0	5.6	4.5	3.4	2.3	1.7	0.75 HP
	47	4.2	3.5	2.7	2.0	1.3	0.9	
WP 44 WPM 44	0	15.0	12.0	9.7	7.5	4.8	3.6	0.5 HP
	23	12.0	9.8	7.8	5.9	4.0	3.0	0.75 HP
	47	9.4	7.5	6.0	4.6	3.1	2.3	
WP 56 WPM 56	0	23.9	18.9	15.6	11.7	7.9	5.8	0.5 HP
	23	22.0	16.9	14.3	10.6	7.2	5.3	0.75 HP
	33	20.5	16.3	13.2	10.0	6.7	4.9	
	47	19.4	15.0	12.7	9.5	6.4	4.1	1 HP
WP 67 WPM 67	0	52.2	41.8	34.5	26.0	17.5	13.0	0.75 HP
	11	47.9	38.0	30.9	23.9	15.8	13.0	
	18	42.9	34.0	27.9	20.7	13.9	9.3	
	33	35.0	27.0	22.0	16.5	11.0	8.1	1.5 HP
	47	24.9	20.0	16.3	12.3	8.3	6.1	2 HP

