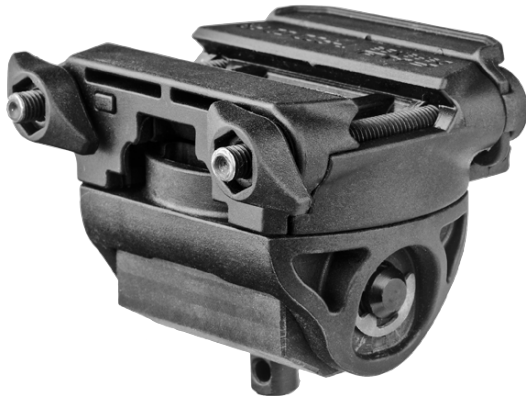


# H-POD

HARRIS BIPOD TILTING & ROTATING PICATINNY ADAPTOR

**FAB**  
**DEFENSE**

KEEP IT REAL.



## GENERAL MEASUREMENTS

Weight	147 gr
Width	63 mm
Height	55 mm
Length	63 mm

## AVAILABLE COLORS



## PRODUCT DESCRIPTION

**FAB's new uniquely designed 'H-POD Rotating Tactical Harris Bipod Picatinny Adaptor' equips your standard Bipod with T-POD G2 tactical superiority enhancements.**

### Advantages:

Unique Rotating and Tilting Mechanism Provides Superior Stability while Engaging Moving Targets and Ultimate Performance on a Rough Terrain

Head Features a Unique Adjustable Pressure Switch Mount

Quick Release Rail Mount for Any Firearm Fitted with a Standard (underside) Picatinny Rail

Durable, Lightweight Polymer Construction

User Installed-No Modification or Gunsmith Required

Available in black, olive drab green or flat dark earth

### Compatibility:

All MIL-STD 1913 Underside Picatinny / Weaver Accessory Rails

