

Mechanical Physician Scale

Standard Features

- Dual read capacity and height rod
- Capacity: 440 lb x 4 oz (200 kg x 100 g)
- 10.75 x 14.75 in platform
- Sturdy enameled steel body
- Die cast beam
- Rugged scale understructure
- Removable slip-resistant plastic base cover
- Retractable aluminum height rod
- Easy operation with two sliding weights
- Rear wheels for portability ease

Specifications

Height Rod:

24-84 in (60-210 cm)

Height Division:

0.125 in (0.1 cm)

Warranty:

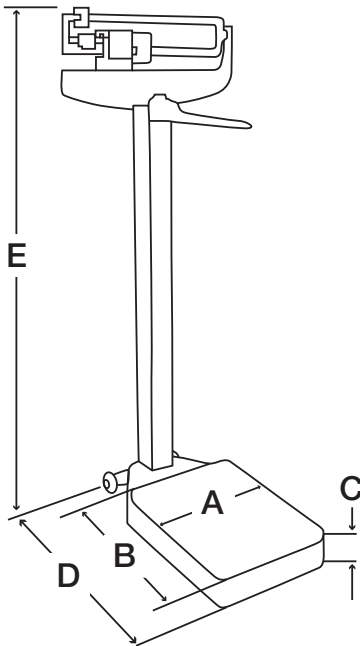
Two-year limited warranty

Part Number/Price

PART #	MODEL	CAPACITY	EST SHIP WEIGHT	PRICE
102613	RL-MPS	440 lb x 4 oz (200 kg x 100 g)	43 lb	Consult

DIMENSIONS

A	10.75 in (27.3 cm)	D	22.25 in (56.5 cm)
B	14.75 in (37.5 cm)	E	58.5 in (148.6 cm)
C	4.125 in (10.5 cm)		



Model RL-MPS