

LaserLT RD-1550

1.5-inch LED Remote Display

Limited Stock Available



Specifications

Display:

Six-digit LED, 7-segment character, 1.5 in height
Six annunciators for GR, NT, lb, kg, motion and COZ
One red/one green light (serial or I/O controlled)
Overlay with contrast filtered lens
Optional visor for direct sunlight

Maximum Viewing Distance:

50 ft (15 m)

Input Interface:

Port 1: 20 mA bidirectional
Port 2: RS-232 bidirectional
Port 3: RS-232 or pluggable option for fiber optic, USB, Ethernet TCP/IP, RS422
Port 4: RS-232 or pluggable option for wireless LAN

Output Interface:

Echo (daisy chain) output mode – port selectable
Keypad output mode – configurable strings and port selectable

Input Data Format:

Learn mode or software selectable for data types
Baud Rate: 1200, 2400, 4800, 9600, 19200, 38400, 57600, 115200
Characters: 7 even, odd or 8 none
Stop bits: 1 or 2 selectable

Update:

Software selectable for continuous or demand formats to hold the displayed weight

Digital I/O:

Two inputs for control of red and green lights

Rating/Material:

NEMA Type 4X/IP69K, 304 stainless steel

Weight:

10 lbs

Operating Temperature:

-20°F to 120°F (-30°C to 50°C)

Warranty:

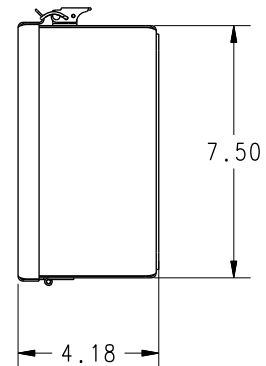
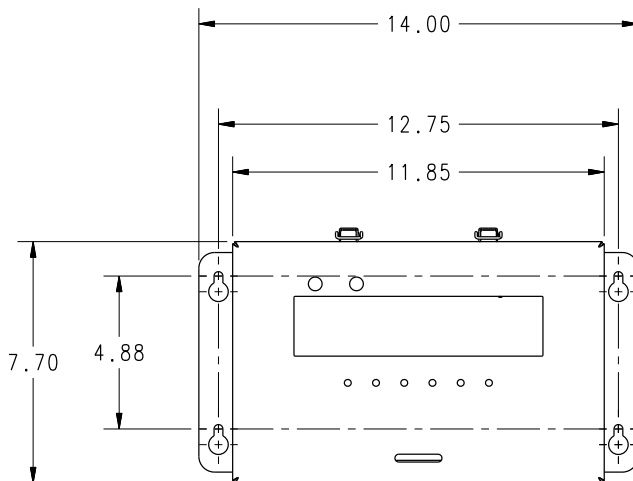
Two-year limited warranty

Approvals:

UL/cUL on specific part numbers

Standard Features

- Six red LED digits, 1.5-in height
- Annunciators for weighing mode, units and status
- Red and green annunciator lights
- Programmable keys for remote scale functions (Zero, G/N, Tare, Units, Print)
- Auto Learn mode for easy connection
- Continuous or Demand mode inputs
- Stainless steel enclosure, hinged cover
- RS-232, 20 mA communication ports
- Option for fiber optic, USB, Ethernet TCP/IP, RS-422 or wireless communication
- Echo or addressable for displaying specific data
- Auto sensing power supply
- Software configuration menu
- Compatible with Revolution® configuration utility



LaserLT RD-1550

1.5-inch LED Remote Display

Part Number/Price

Part #	Description	Est. Weight	Price
111143	LaserLT RD-1550 remote display, 90–260VAC	10 lb	Consult
111144	LaserLT RD-1550 remote display, 9–36VDC	10 lb	Consult

Options/Accessories

Part #	Description	Price
77142	Ethernet TCP/IP board	Consult
96736	Fiber optic board	Consult
78026	Fiber optic cable, 100 ft	Consult
78027	Fiber optic cable, 200 ft	Consult
108579	RS-232/RS-422 board	Consult
108671	Wireless LAN board 802.11a/b	Consult
115138	Visor	Consult
114035	Installation manual	Consult
77925	Revolution® configuration software	Consult