

BenchMark™ HDP

Portable Heavy Duty Bench Scales



Ideal for Aviation Weighing. A complete system can be sold with the Tracer® AV. Reference Aviation section for specifications

Specifications

- Load Cell, NTEP Certified:**
Aluminum, environmentally sealed
- Output Impedance:**
350 Ω
- Maximum Overload:**
200%
- Overload Protection:**
Five-point, independently adjusted
- Cable Length:**
10 ft (3 m)
- Compensated Temperature Range:**
14° F to 104° F (-10° C to 40° C)
- Warranty:**
Two-year limited warranty
- Approvals:**
NTEP CC 06-010, Class III 5,000 d
Measurement Canada AM-5625, Class III 5,000 d

Standard Features

- Mild steel base construction
- 304 stainless steel cover
- Indicator stand for mounting IQ plus 390-DC, IQ plus 590-DC and 480/482 Legend™ Series
- Wheel model
- Polyurethane rubber leveling feet with stainless steel stems
- 8 in diameter preformed rubber wheels with ball bearings
- Caster model
- 3 1/2 in diameter preformed rubber casters, two fixed, two swivel with lock

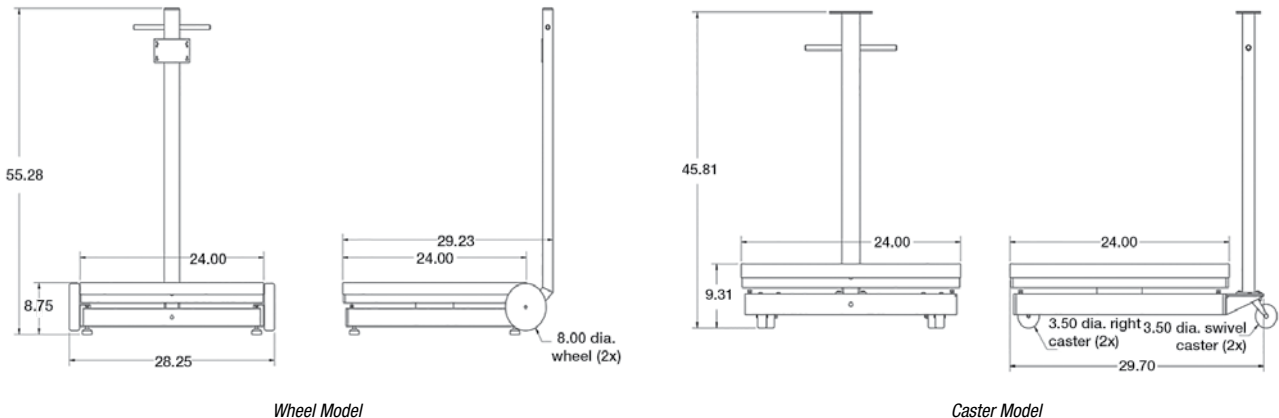
APPROVALS



Measurement
Canada
Approved

Part Number/Price

Part #	Capacity	Platform Dimensions	Est. Weight	Price
Wheel Model				
97072	250 lb (125 kg)	24 x 24 x 8.75 in	275 lb	Consult
97073	500 lb (225 kg)	24 x 24 x 8.75 in	275 lb	Consult
Caster Model				
97074	250 lb (125 kg)	24 x 24 x 9.31 in	290 lb	Consult
97075	500 lb (225 kg)	24 x 24 x 9.31 in	290 lb	Consult



Wheel Model

Caster Model