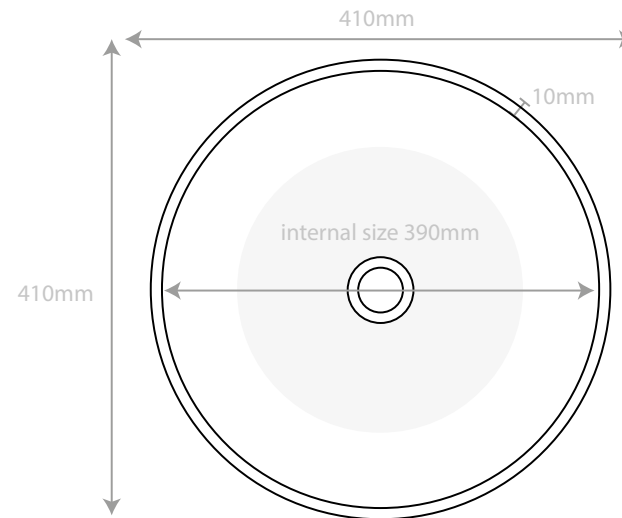
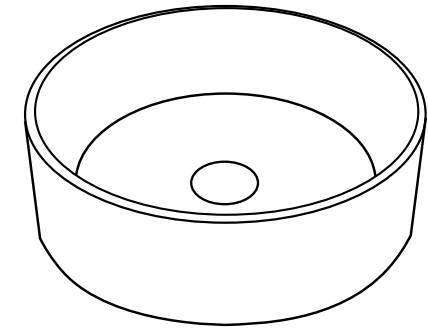


The Round

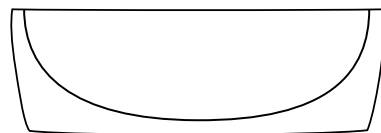
- The Sink is designed to sit countertop but may be wall hung using one of our metal brackets. The bracket will be slightly visible from the front and side view.
- Weight – 12kg
- Sinks are made to a tolerance of +/- 5mm
- Does not contain an overflow
- Plug is centred
- Requires a universal unslotted plug waste (not provided)



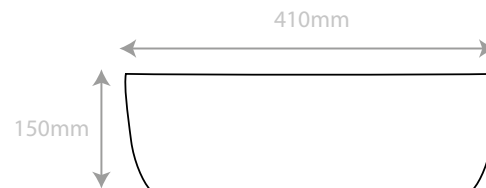
TOP ELEVATION



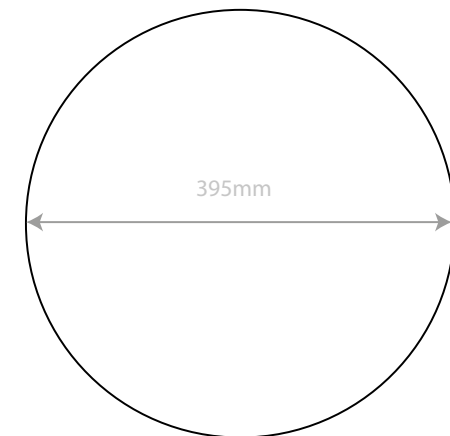
ISOMETRIC VIEW



CROSS SECTION



FRONT & SIDE ELEVATION



EXTERNAL BASE