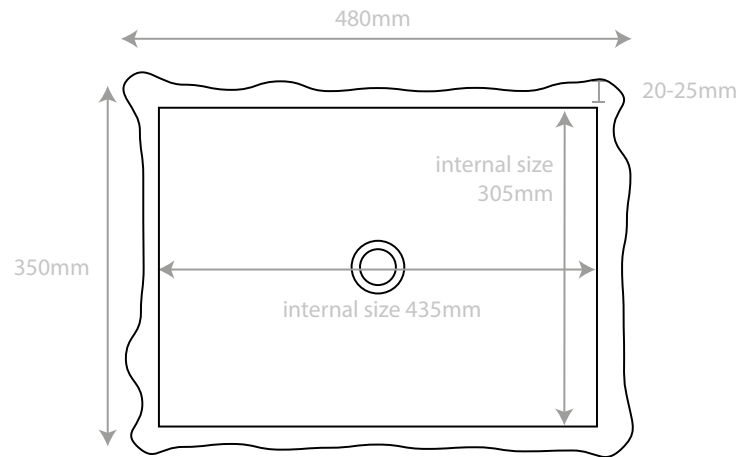
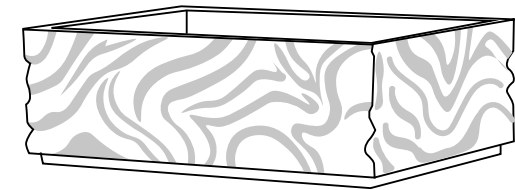


The Ripple

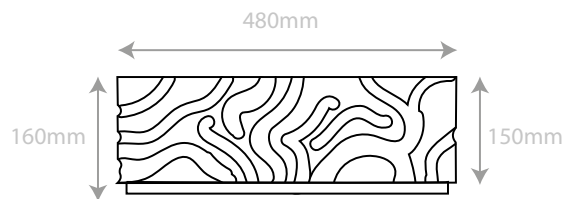
- This sink can be sat countertop or invisibly wall hung using one of our metal brackets
- Weight – 20kg
- Sinks are made to a tolerance of +/- 5mm
- Does not contain an overflow
- Plug is centred
- Requires a universal unslotted plug waste (not provided)



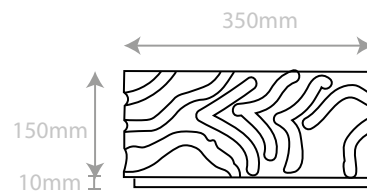
TOP ELEVATION



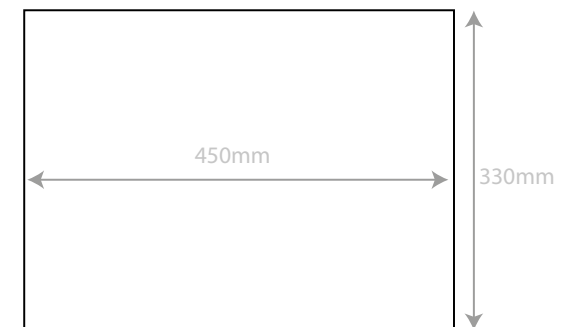
ISOMETRIC VIEW



FRONT ELEVATION



SIDE ELEVATION



EXTERNAL BASE