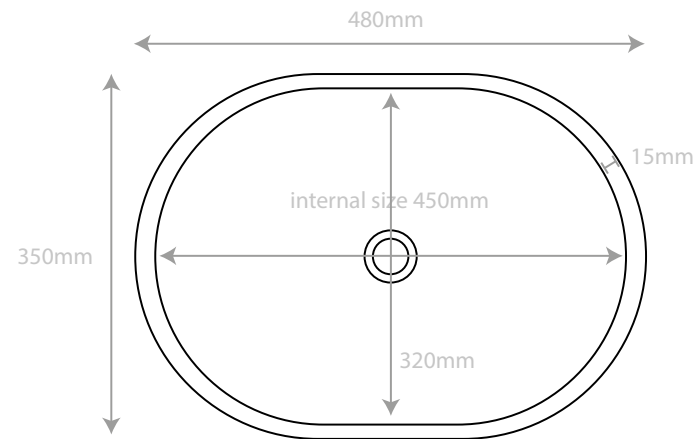
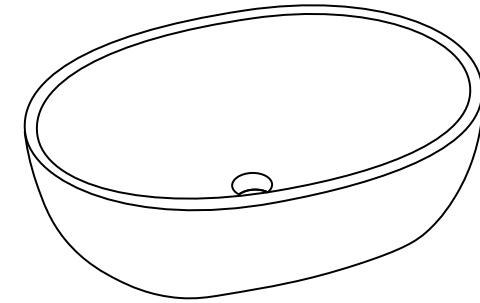


The Oval

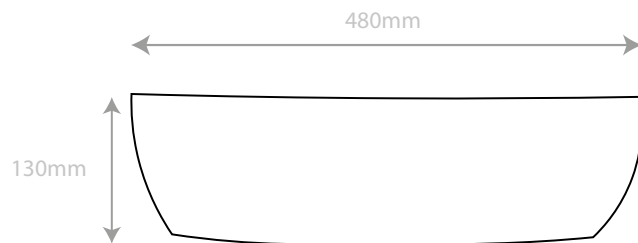
- The Sink is designed to sit countertop but may be wall hung using one of our metal brackets. The bracket will be slightly visible from the front and side view.
- Weight - 16kg
- Sinks are made to a tolerance of +/- 5mm
- Does not contain an overflow
- Plug is centred
- Requires a universal unslotted plug waste (not provided)



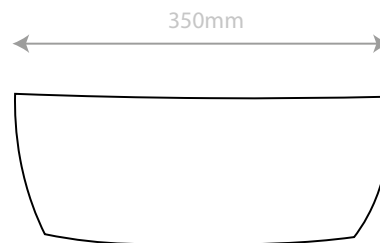
TOP ELEVATION



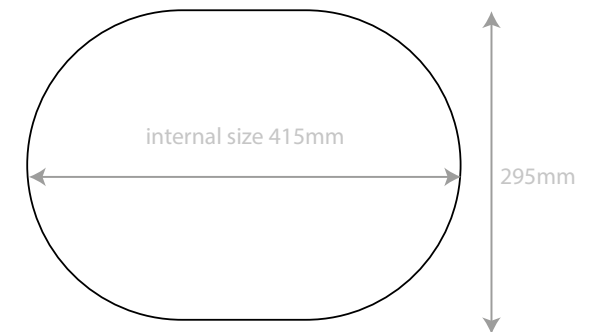
ISOMETRIC VIEW



FRONT ELEVATION



SIDE ELEVATION



EXTERNAL BASE