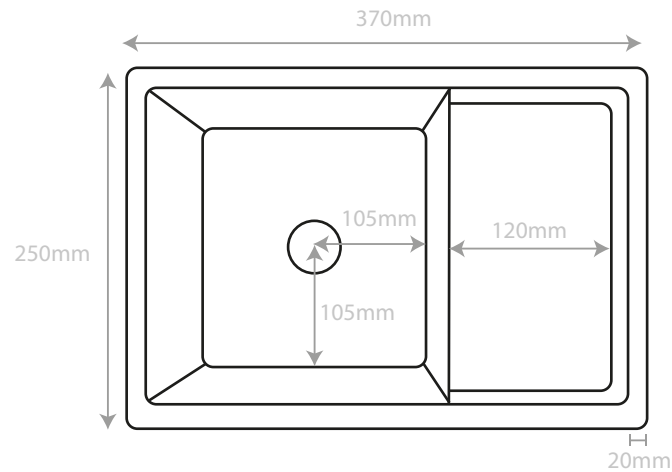
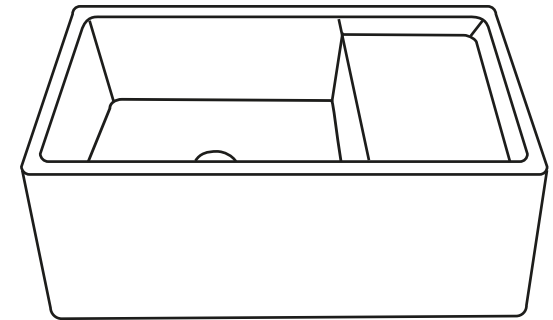


The Cloakroom Basin

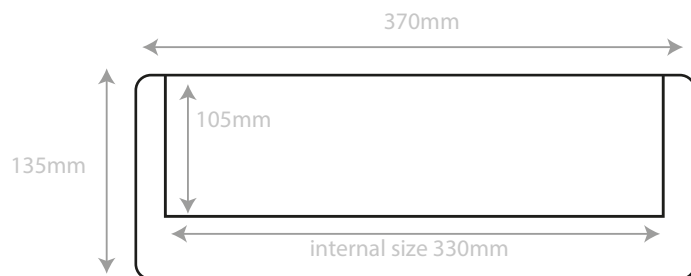
- This sink can be sat countertop or invisibly wall hung using one of our metal brackets.
- Weight – 12.5kg
- Sinks are made to a tolerance of +/- 5mm
- Does not contain an overflow
- Plug is centred
- Requires a universal unslotted plug waste (not provided)
- Tap hole(s) can be added to the left or right ledge - client to provide spec of tap to Smith & Goat post basin purchase.
- Basin can be installed to the left or right



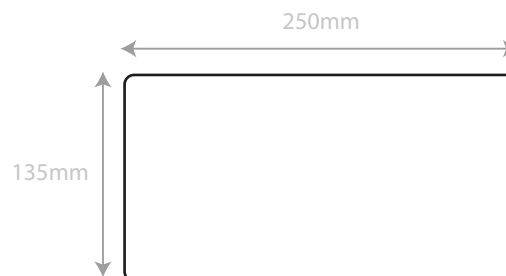
TOP ELEVATION



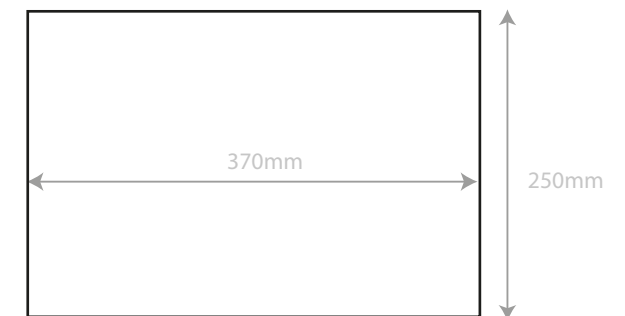
ISOMETRIC VIEW



FRONT ELEVATION



SIDE ELEVATION



EXTERNAL BASE