

YAUFEY

Home Dehumidifier

Please read this manual carefully
before using the product

AD1903

USER MANUAL

FOR CUSTOMERS

Thank you for purchasing our dehumidifier.

Yaufey has been committed to developing powerful and easy-to-use products to bring more convenience to your life. We highly recommend you to keep this user manual for future reference in case of unexpected problems.

Please read this user manual carefully to ensure proper use of the dehumidifier. This dehumidifier is perfect for reducing humidity in family bedrooms, bathrooms, basements, offices, storage rooms and more.

Yaufey dehumidifier reduce the room humidity efficiently, creating a more healthy and comfortable environment for you and your family.

REQUESTING CUSTOMER SERVICE

If there are any problems of the product, please contact **Yaufey** Customer Service at support@Yaufey.com with your Purchase Order ID. We'll help you solve the problems as soon as possible.

YAUFEY HOME DEHUMIDIFIER

Thank you for your purchase. Please read this instruction manual carefully to ensure proper use. Read all safety precautions prior to use. Please store this instruction manual in a safe place for future reference.

Place the unit upright for at least **24 HOURS** before plugging it in.

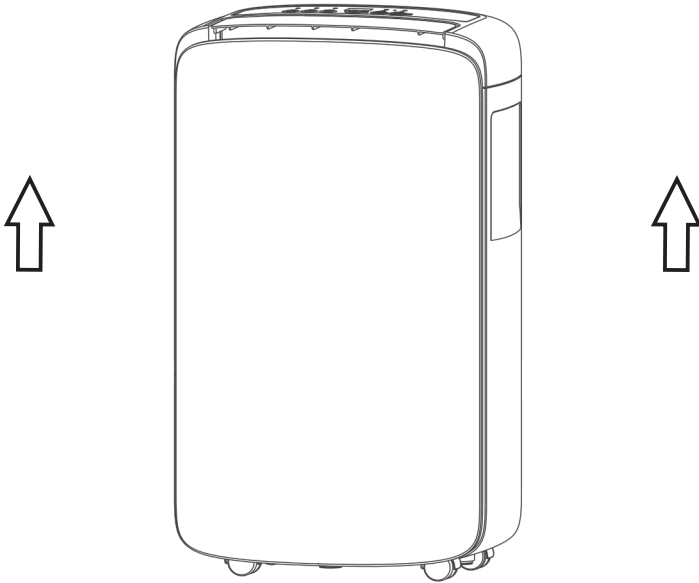


TABLE OF CONTENTS

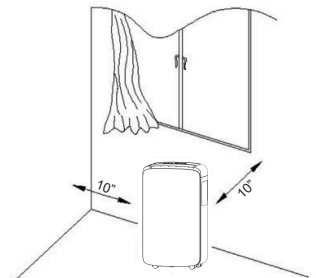
Safety Precautions.....	01
Part Descriptions.....	02
Control Panel.....	03
Drainage.....	04
Care and Cleaning.....	06
Troubleshooting.....	07
Specifications.....	10
Warranty & Support	11

IMPORTANT SAFETY INSTRUCTIONS

Notice:

For your safety, please read and keep the manual properly before or after using the unit. This product is only for home use. Please use the product in accordance with the instructions in this manual.

- **After being carried or tilted, the dehumidifier needs to stop for 2 hours until used again.**
- **Keep the dehumidifier upright and make sure there is at least 10-inch space around it.**
- Please keep cleaning the filter in time. The cleaner the filter, the better it works.
- Keep the foreign objects away from the air inlet and outlet.
- Do not pour or splash water onto the dehumidifier.
- Do not unplug the dehumidifier to turn it off. Please use the switch button on the control panel.
- Please turn the dehumidifier off and empty the water tank before moving it.
- Do not clean the dehumidifier with bad sprays or other flammable detergents.
- Please turn the dehumidifier off and unplug it if it breaks down.
- If the power cord is broken, please send an email to support@yaufey.com immediately.



PARTS DESCRIPTION

1 Air Deflector

2 Air Outlet

3 Control Panel

4 Handle(Both Sides)

5 Filter

6 Water Tank

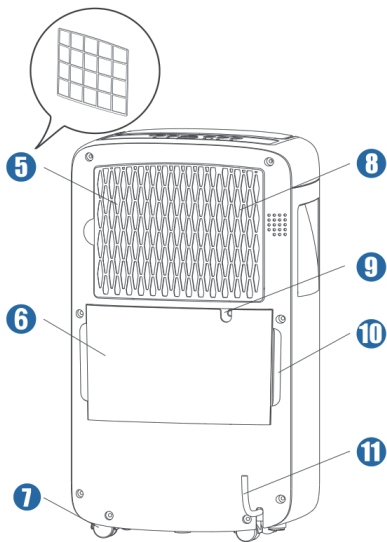
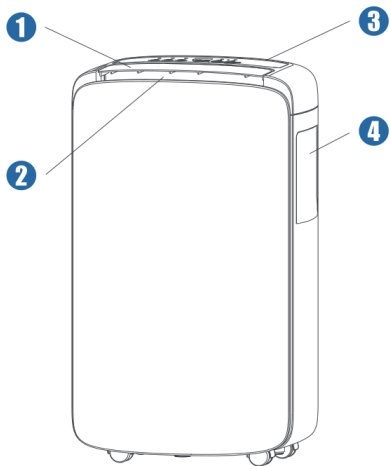
7 Caster

8 Air Inlet

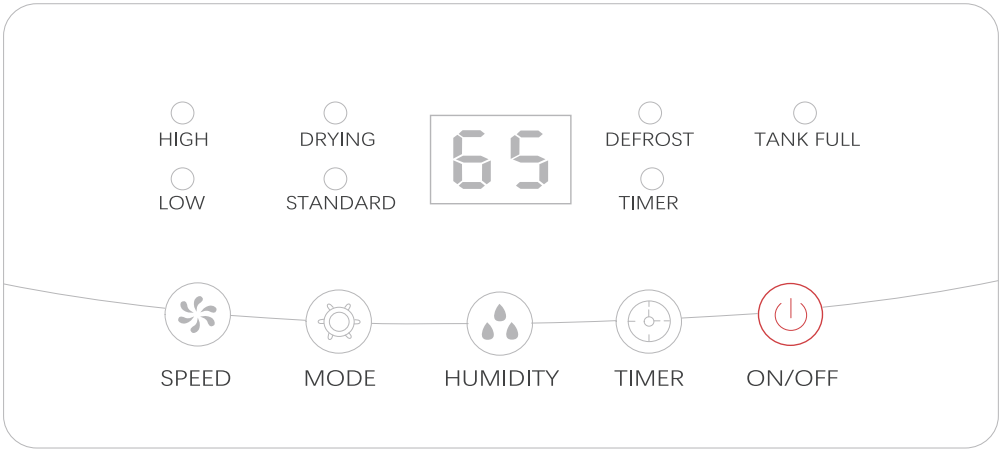
9 Continuous Drainage Outlet

10 Handle of Water Tank

11 Power Cord



CONTROL PANEL



Please open **the air deflector** before you turn on the dehumidifier.



ON/OFF

Press "**ON/OFF**" to turn on/off the dehumidifier.



TIMER

Press "**TIMER**" to pre-set the working hours of the unit.



HUMIDITY

Press "**HUMIDITY**" to set your desired humidity (RH 40%-80%) or CO (continuous operation).



MODE

Press "**MODE**" to choose the desired mode.

STANDARD: Manual setting of RH

The dehumidifier will shut off when the preset RH was reached. When ambient humidity is 4% higher than the preset RH, the machine will get back on work automatically.

DRYING: Continuous operation

You cannot manually adjust the humidity when the unit is in the mode. The fan and compressor remain working and the display reads the current humidity.



SPEED

Press "**SPEED**" to switch between low speed and high speed.



OTHERS

TANK FULL

When the tank is full, the dehumidifier will stop working.

Note: The alarm and the indicator light will be on.

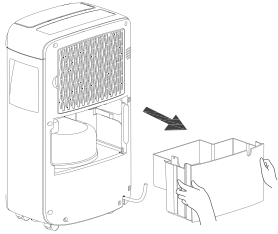
DEFROST

Auto detection of frost and auto defrosting to keep a good performance in dehumidifying. The indicator light will be on until the frost disappears.

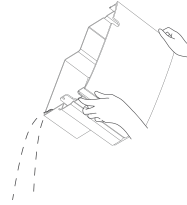
DRAINAGE

01 Manual Drainage

When the water in the tank gets full, the dehumidifier will go off alarms and stop working automatically. Meanwhile, the indicator light of "TANK FULL" will turn red. It is suggested to empty.

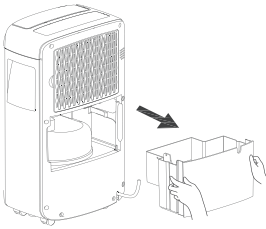


1 Take out the tank gently.

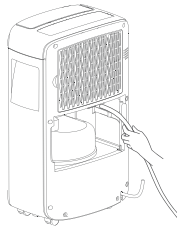


2 Empty the water tank and put it back in position.
Note: If the tank is not well installed, the indicator will flashes.

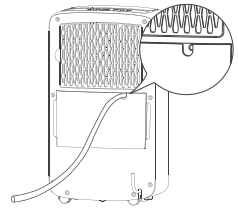
02 Continuous Drainage



1 Take out the water tank.



2 Join the drainage hose.
Place the hose downward
to ensure proper drainage.

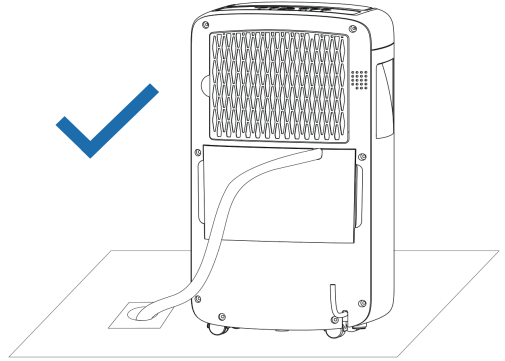
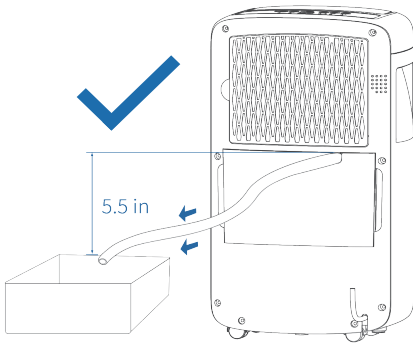


3 Place the water tank back into place.
Then place the long hose into the
groove of the tank to keep it
downward, for proper drainage.

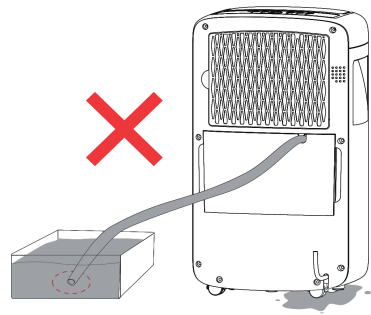
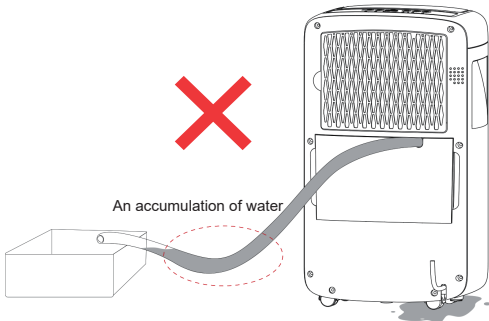
DRAINAGE

Advised Drainage Method

1. Keep the hose downward.
2. Make sure the drainage outlet of the appliance is always higher than the maximum water level of the water collecting vessel or water may flow backward.
3. Make sure there is always a height difference of 5.5 inches between the outlet of hose and the drainage outlet of the appliance. The outlet of hose should be 5.5 inches lower all the time.



Wrong Use of Continuous Drainage



CARE & CLEANING

CLEAN THE FILTER

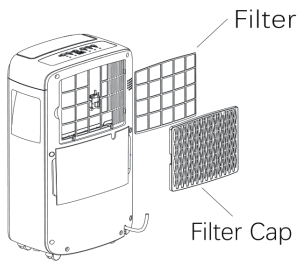
Attention:

Keep the machine unplugged before maintaining or washing.

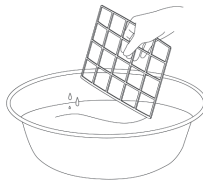
CLEANING TIPS

- Turn off the unit and wait at least for 1 hour before cleaning the dehumidifier.
- Please use slightly water-dampened cloth to clean the dehumidifier.
- Please do not use volatile chemicals, gasoline, detergent, or other related detergents. For this may damage the dehumidifier.

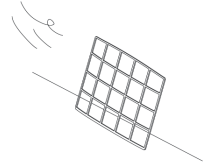
Please do not wash the dehumidifier with water directly.



1 Take out the filter.



2 Remove the dirt and wash the filter.



3 Leave the filter air-dry fully in shade.

STORAGE

If you do not need to use the dehumidifier for a long time, please store it in the following ways:

- Turn off the dehumidifier and wind the cord.
- Empty the water tank and keep it dry.
- Clean the filter and dry it out.
- Place the dehumidifier at somewhere unexposed to sunshine.

TROUBLESHOOTING

PROBLEMS	PROBABLE REASONS	SOLUTIONS
The dehumidifier does not work.	The socket is loose.	Please check the socket to ensure the machine is charged.
	The light of "FULL" is on.	Please remove the water from the tank or replace the tank in its place.
	The room humidity is lower than setting.	Please reset the humidity setting of the machine to ensure it is lower than the humidity of the room.
Dehumidifying effect is not obvious.Or the dehumidifier is not removing moisture.	The filter is dusty.	Please clean the filter and make sure there is at least 10-inch space around the dehumidifier.
	The inlet or outlet is blocked.	
	Doors and windows are open.	Check that all doors and windows are securely closed.
	The room temperature or humidity is too low.	This is normal.
The dehumidifier is a little noisy.	The vibration may be caused by uneven placement.	Please put the machine in a flat place.
	The filter is clogged.	Please clean the filter.
The air turbine does not work.	The air turbine does not work.	Please reassemble the air turbine or remove the foreign objects.
	The filter is clogged.	Please clean the filter.

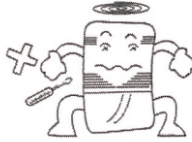
The display shows "E1", "E2", "H1" or "LO"

E1/E2	The component inside dehumidifier is under open circuit or short circuit.
H1	The indoor temperature is higher than 95°F. Skip level to air supply mode
LO	The indoor temperature is lower than 32°F. Skip level to air supply mode

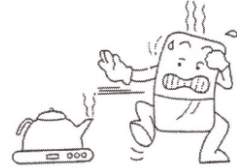
TROUBLESHOOTING



- 1 When using the machine, please do not put it on a soft or uneven ground to prevent vibration and movement.



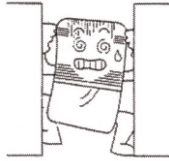
- 2 Do not insert any thin rods or hard items into the machine to prevent malfunctions and danger.



- 3 When using the machine, please keep it away from any heating furnaces, electric kettles and other heating sources.



- 4 When using the machine, please close doors and windows for the optimal moisture removal effect.



- 5 Please do not put any objects around the machine. The dehumidification effect will be affected if the ventilation is bad.



- 6 Please unplug the machine from the power source if you do not use it for a long time.



- 7 When cleaning the machine, please use wet cloth to wipe gently. Do not spray water on it directly.



- 8 Please do not put any objects on the dehumidifier.



- 9 Please clean the filter every two weeks. Do not use hot water above 104°F, alcohol, gasoline or toluene.



- 10 When using the hose to drain continuously, please place the hose horizontally and make sure it is even and not winded.



- 11 After cleaning the filter, please do not dry it under direct sunlight to prevent it from deforming.



- 12 Before moving or carrying the machine around, please empty the water tank first.

Notice of Compressor Running Status

It's a normal phenomenon that the compressor and fan keep running when the ambient humidity reaches the preset RH. The fan will keep running for 5 minutes after the preset RH is reached. The compressor stops when the ambient humidity is 4% lower than the preset RH, and it starts automatically when the ambient humidity level is 4% higher than the preset level. The Return Difference design featuring 4% error range is for better protecting and prolonging lifespan of the appliance.

Notice of Full Tank Detection

1. There may be some remaining water in the water collecting tray while the tank full indicator light is on. Please wait for several minutes before taking out the water tank.
2. The fan will keep working for 5 minutes and the compressor will auto shut off when the tank full indicator light is on for protection. The fan will auto shut off after extra 5-minute work if the water tank is still full.

SPECIFICATIONS

Model No.	AD1903
Power Source	115V~60Hz
Total Input Current	2.6A
Moisture Removal(65°F,60% RH)	6.5 Pints/Day(3 L/Day)
Moisture Removal(80°F,60% RH)	10 Pints/Day(5 L/Day)
Moisture Removal(86°F,80% RH)	21 Pints/Day(10L/Day)
Moisture Removal(95°F,90% RH)	30 Pints/Day(14L/Day)
Input Power(65°F,60% RH)	165W
Input Current(65°F,60% RH)	2.1A
IEF(65°F,60% RH)	0.82 liters/kWh
Motor FLA	0.54 A
Motor Compressor	RLA:1.85A;LRA:8A
Refrigerant	R134a(3.35 ozs)(95g)
Maximum Allowable Pressure	580PSIG(4.0MPa)
High Pressure	246.5 PSIG(1.7MPa)
Low Pressure	87 PSIG(0.6MPa)

*Specifications are subject to change without prior notice.



WARNING:

This product can expose you to chemicals including Styrene and its compounds, which is known to the State of California to cause cancer and birth defects or other reproductive harm. For more information go to: www.P65Warnings.ca.gov

Warranty

Yaufey offers a 12-month warranty to all of our products together with the original proof of purchase when a defect occurred, including those newly purchased and unused, from Yaufey or through an authorized reseller, wholly or substantially, or as a result of faulty manufacturing parts, or workmanship during the Warranty Period.

The warranty does not apply if damage is caused by other factors, including but without limitation of:

- (a) Normal wear and tear;
- (b) Abuse, mishandling, accident or failure to follow operating instructions;
- (c) Exposure to liquid or infiltration of foreign particles;
- (d) Servicing or modification of the product other than by Yaufey.

There is a professional team for the warranty service, but we always encourage our customers to contact us if any issues, regardless of warranty terms. If you are experiencing an issue with Yaufey product, you can reach out to us at support@yaufey.com, we will dedicate our efforts to resolve it for you.

Extend 1-Year Warranty for Free

Register your product at www.yaufey.com to get 1-year extended warranty for free.

Customer Support

If you have any questions or concerns about our product, please feel free to contact our expert support team. Yaufey customer service is ready to help.

Yaufey Office

13211, Spring Street Baldwin Park, CA, US

Email: support@yaufey.com

Live Chat: www.yaufey.com

Support Hours

24 Hours available

YAUFEY

For FAQs and more information please visit:

www.yaufey.com



@Yaufey



@Yaufey



@Yaufey



@Yaufey



(Scan the QR Code for Live Chat)

We are expecting to see our products fulfill your life and hear your voice.

Your satisfaction means a lot to us.

Please tag us if you share a snap on your social media.

www.yaufey.com