



A brand of ENSUPRA LLC

19840 FM 1093, Suite: G-03

RICHMOND, TX 77407

Tel: 800.823.9786

E-mail: info@plugged solar.com

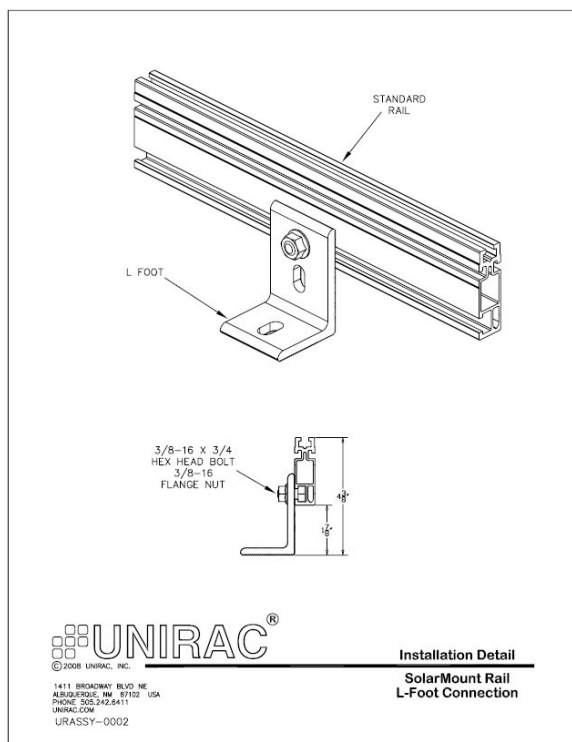
5KW Roof Installation Manual

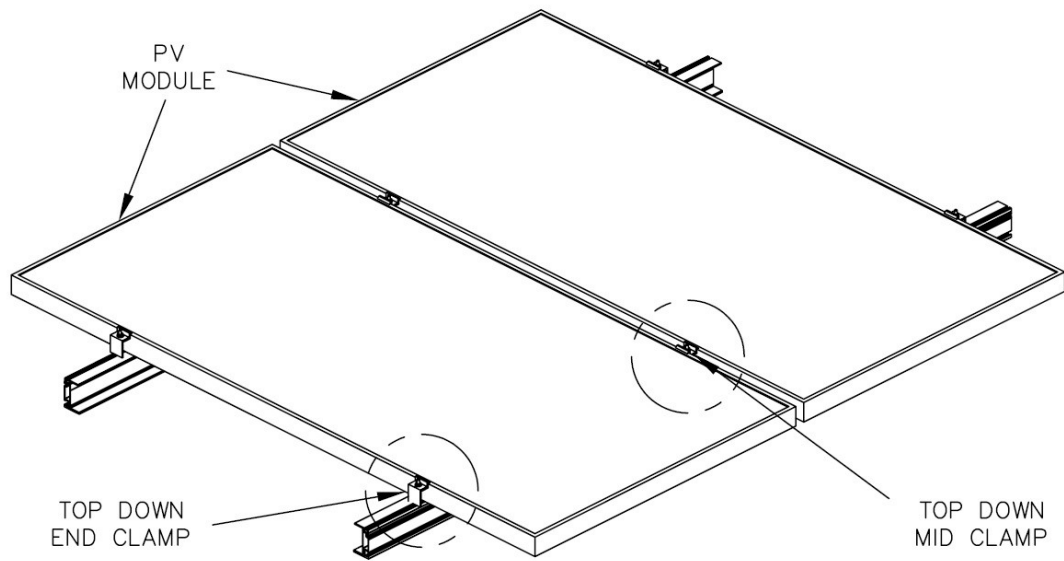
Include Elements:

- Solar PV Panels: Total 1.5KW or 1.8KW (option): Typical solar panels are 300Watts, size 5.5ft x 3.3ft. 5PCS of 1.5KW and 6PCS for 1.8KW
- Unirac™ roof installation parts.
- SMA Grid-Tie Inverter 5KW or Similar top brand, approved by utility
- 100ft AC wire for connecting the inverters end to the circuit breaker or 240V plug.

Installation Steps

1. Using Unirac Universal PV Module Roof Mounts installation booklet, install the roof mount system in your roof and secure the panels.

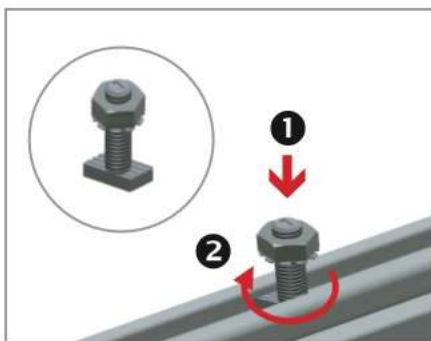




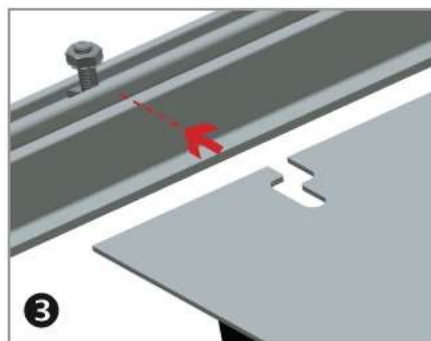
2. Attach the 10gauge ground wire (not provided and can be bought from local store) to the rail.
3. Attach the Microinverter to the rail. Please note down the inverters serial numbers .

MICROINVERTER MOUNTING

INSTALLATION GUIDE

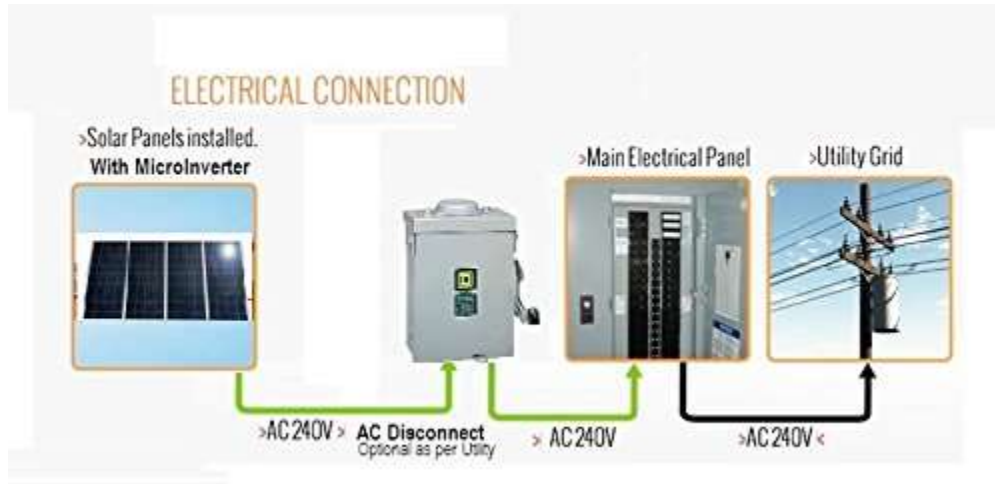


INSTALL MICROINVERTER MOUNT T-BOLT: Apply Anti-Seize and install pre-assembled 1/4" dia. bonding T-bolts into top 1/4" rail slot at microinverter locations. Rotate bolts into position.

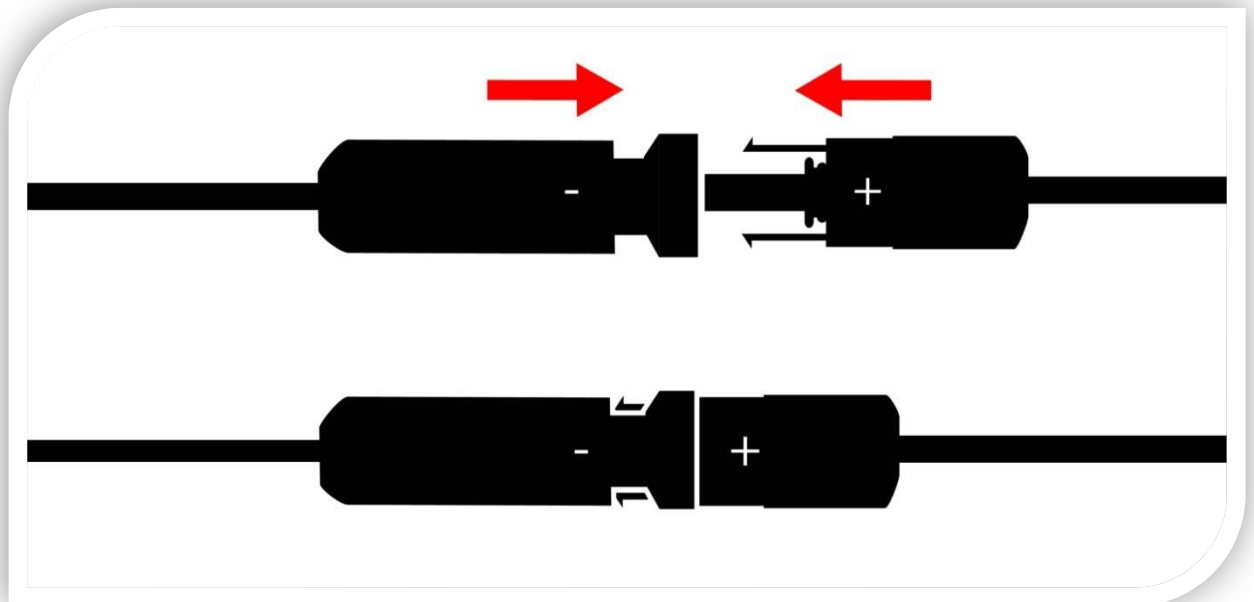


INSTALL MICROINVERTER: Install microinverter on to rail. Engage with bolt.

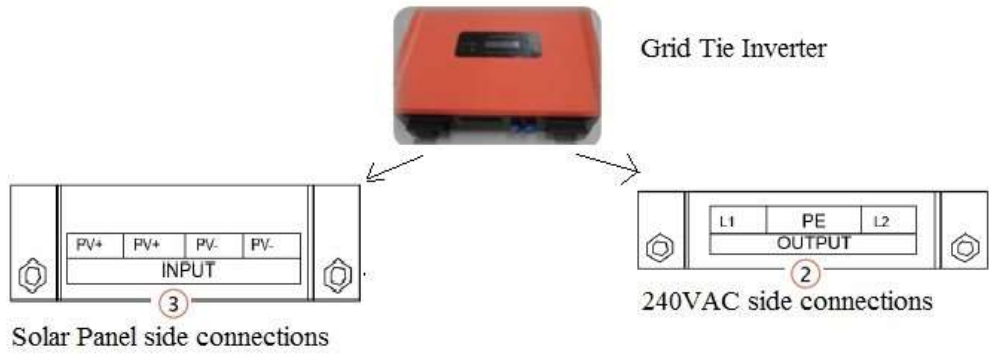
4. Identify the long black cable and snap it to the first microInverter.



5. Attach the 10guage ground wire (not provided and can be bought from local store) to the rail.
6. Start the connecting solar panels with each other, positive/male to negative/female in series, using the snap-plug connectors.

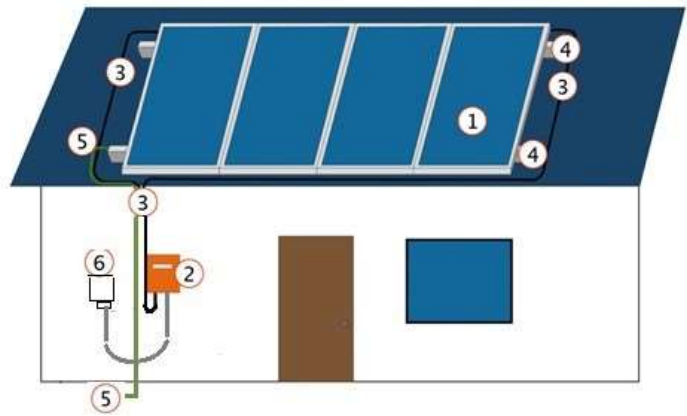


7. Attach the Inverter Box plate on the wall
8. Attach the DC cables from the Solar Panels to the '+' and '-' of the PV side of inverter connections. Please make sure the polarity is correct. Please see the drawing below.



SOLAR PATIO / ROOF INSTALLATION

- ① Solar Panel
- ② Inverter box
- ③ DC Cable
- ④ Roof Racking
- ⑤ Ground Cable
- ⑥ Main Elec. Box



12. Start saving money on electricity by using Plugged Solar™.

If you want ground mount system, please contact us for ground mount additional racking.

www.PluggedSolar.com Tel: 800.823.9786 E-mail: info@plugged solar.com