

# TECHNICAL DATA

	PEGASUS	
<b>Required power</b>	400V/3+N/50Hz	230/3/60Hz
Max required power	2 kW	2 kW
<b>Air inlet</b>	1/4"	1/4"
Air working pressure	7 bar	100 psi
Air consumption	42 NI/cycle	1,5 cubic feet/cycle
<b>Steam inlet</b>	1/2"	1/2"
Condensate return outlet	2 x 1/2"	2 x 1/2"
Steam working pressure	5÷7 bar	72÷100 psi
Steam consumption	24÷27 kg/h	53÷60 lbs/h
<b>Maximum dimensions in operation (LxWxH)</b>	2400x1230x1935 mm	94,5x48,5x76 in
Net weight	675 kg	1488 lbs
<b>Package dimensions (LxWxH)</b>	1980x1260x2020 mm	78x50x79,5 in
Gross weight	775 kg	1710 lbs
Volume	5,04 m3	178 cubic feet

	VEGA	
<b>Required power</b>	400V/3+N/50Hz	230/3/60Hz
Max required power	2,2 kW	2,2 kW
<b>Air inlet</b>	1/2"	1/2"
Air working pressure	7 bar	100 psi
Air consumption	125 NI/minute	4,4 cubic feet/minute
<b>Steam inlet</b>	1/2"	1/2"
Condensate return outlet	2 x 1/2"	2 x 1/2"
Steam working pressure	5÷7 bar	72÷100 psi
Steam consumption	55 kg/h	121 lbs/h
<b>Maximum dimensions in operation (LxWxH)</b>	2315x2315x1965 mm	91x91x77,5 in
Net weight	1100 kg	2425 lbs
<b>Package dimensions (LxWxH)</b>	2280x1620x2000 mm	90x64x79 in
Gross weight	1210 kg	2668 lbs
Volume	7,39 m3	261 cubic feet

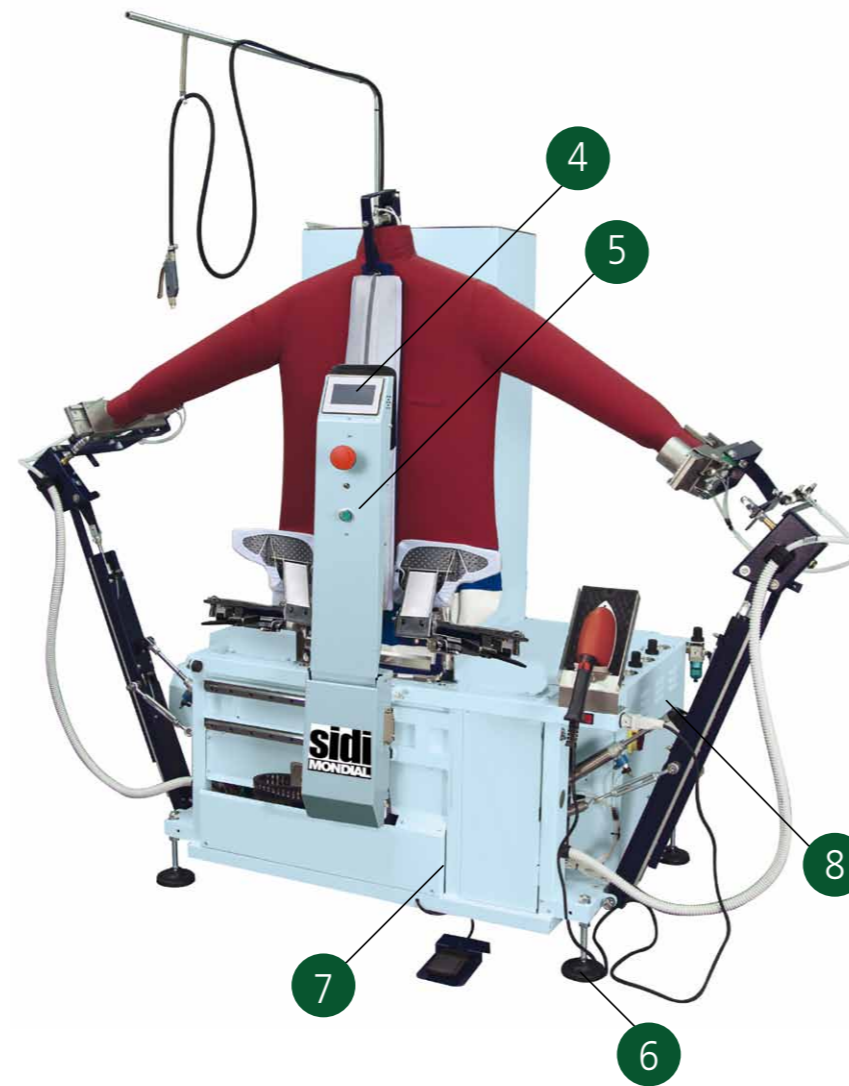
	MAGIC		MAGIC SV	
<b>Required power</b>	400V/3+N/50Hz	230/3/60Hz	400V/3+N/50Hz	230/3/60Hz
Max required power	2 kW	2 kW	2 kW	2 kW
<b>Air inlet</b>	1/4"	1/4"	1/4"	1/4"
Air working pressure	7 bar	100 psi	7 bar	100 psi
Air consumption	40 NI/cycle	1,4 cubic feet/cycle	34 NI/cycle	1,2 cubic feet/cycle
<b>Steam inlet</b>	1/2"	1/2"	1/2"	1/2"
Condensate return outlet	1/2"	1/2"	1/2"	1/2"
Steam working pressure	5÷7 bar	72÷100 psi	5÷7 bar	72÷100 psi
Steam consumption	25÷35 kg/h	55÷77 lbs/h	22÷32 kg/h	48÷73 lbs/h
<b>Maximum dimensions in operation (LxWxH)</b>	2320x1160x2130 mm	91,5x45,5x84 in	2320x1160x2130 mm	91,5x45,5x84 in
Net weight	440 kg	970 lbs	390 kg	860 lbs
<b>Package dimensions (LxWxH)</b>	1980x1260x2020 mm	78x50x79,5 in	1980x1260x2020 mm	78x50x79,5 in
Gross weight	475 kg	1050 lbs	425 kg	937 lbs
Volume	5,04 m3	178 cubic feet	5,04 m3	178 cubic feet

	MAGIC ELECTRIC		MAGIC ELECTRIC SV	
<b>Required power</b>	400V/3+N/50Hz	230/3/60Hz	400V/3+N/50Hz	230/3/60Hz
Max required power*	26 kW	26 kW	23,5 kW	23,5 kW
<b>Air inlet</b>	1/4"	1/4"	1/4"	1/4"
Air working pressure	7 bar	100 psi	7 bar	100 psi
Air consumption	40 NI/cycle	1,4 cubic feet/cycle	34 NI/cycle	1,2 cubic feet/cycle
<b>Steam inlet</b>	-	-	-	-
Condensate return outlet	-	-	-	-
Steam working pressure	-	-	-	-
Steam consumption	-	-	-	-
<b>Maximum dimensions in operation (LxWxH)</b>	2320x1160x2130 mm	91,5x45,5x84 in	2320x1160x2130 mm	91,5x45,5x84 in
Net weight	440 kg	970 lbs	390 kg	860 lbs
<b>Package dimensions (LxWxH)</b>	1980x1260x2020 mm	78x50x79,5 in	1980x1260x2020 mm	78x50x79,5 in
Gross weight	475 kg	1050 lbs	425 kg	937 lbs
Volume	5,1 m3	180 cubic feet	5,1 m3	180 cubic feet

\*Touch-up iron not included

# MAGIC SV

## SIMPLE VERSION



## Tensioning Blowing Shirt Finisher

- Solid and compact structure with integrated blowing and vacuum in the machine's frame
- Silicon padded counter paddle to avoid shines on dark fabrics and marks on the buttons
- Height adjustable with positioning of the neck holder from a minimum of 155 cm to a maximum of 162 cm (61": 64")
- Lateral flexible expanders with anti-stretching functions
- Short sleeve device as standard
- Easy-to-dress dummy for a fast positioning of the shirt
- Rounded and rotating clamps with pneumatic height adjustment
- Available in a **total electric version**

**sidi**  
**MONDIAL**  
SIDIMONDIAL.COM

# THE BEST TECHNOLOGY FOR YOUR SHIRTS

High productivity and high performances

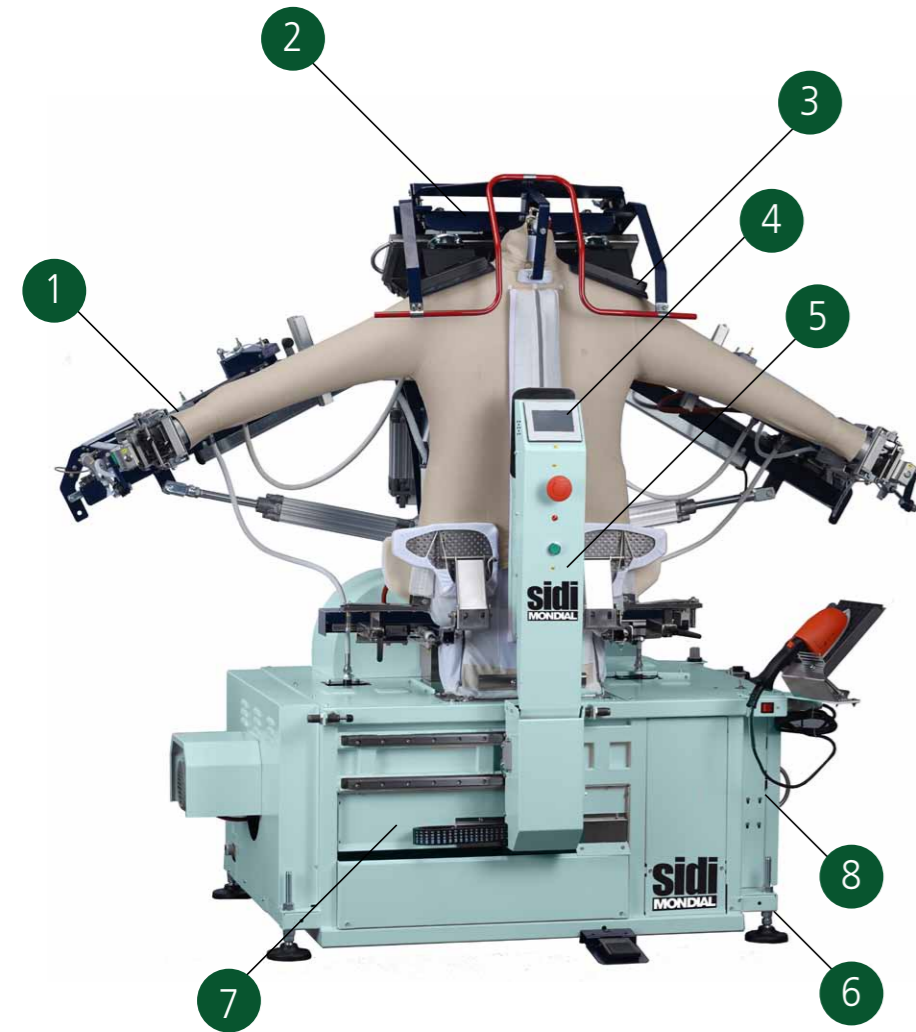
**sidi**  
**MONDIAL**  
SIDIMONDIAL.COM

**SIDI MONDIAL SRL**

Via G. Di Vittorio 6 | 20065 INZAGO (MI) | Italy  
tel. +390295383901 | fax. +390295383903  
sidi@sidimondial.com | www.sidimondial.com

# MAGIC

## SHIRT FINISHER

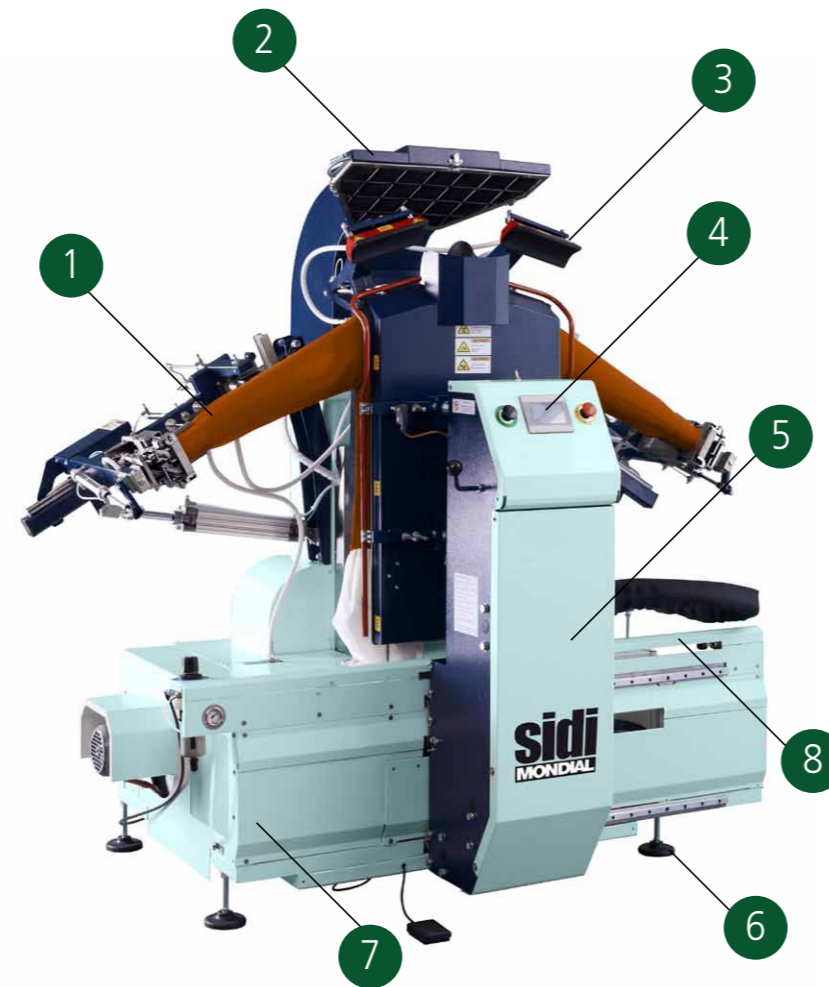


### Tensioning Blowing shirt finisher

- Solid and compact structure with integrated blowing and vacuum in the machine's frame
- Silicon padded counter paddle to avoid shines on dark fabrics and marks on the buttons
- Height adjustable with positioning of the neck holder from a minimum of 155 cm to a maximum of 162 cm (61" : 64")
- Lateral flexible expanders with anti-stretching functions
- Easy-to-dress dummy for a fast positioning of the shirt
- Available in a **total electric version**

# PEGASUS

## SHIRT PRESS

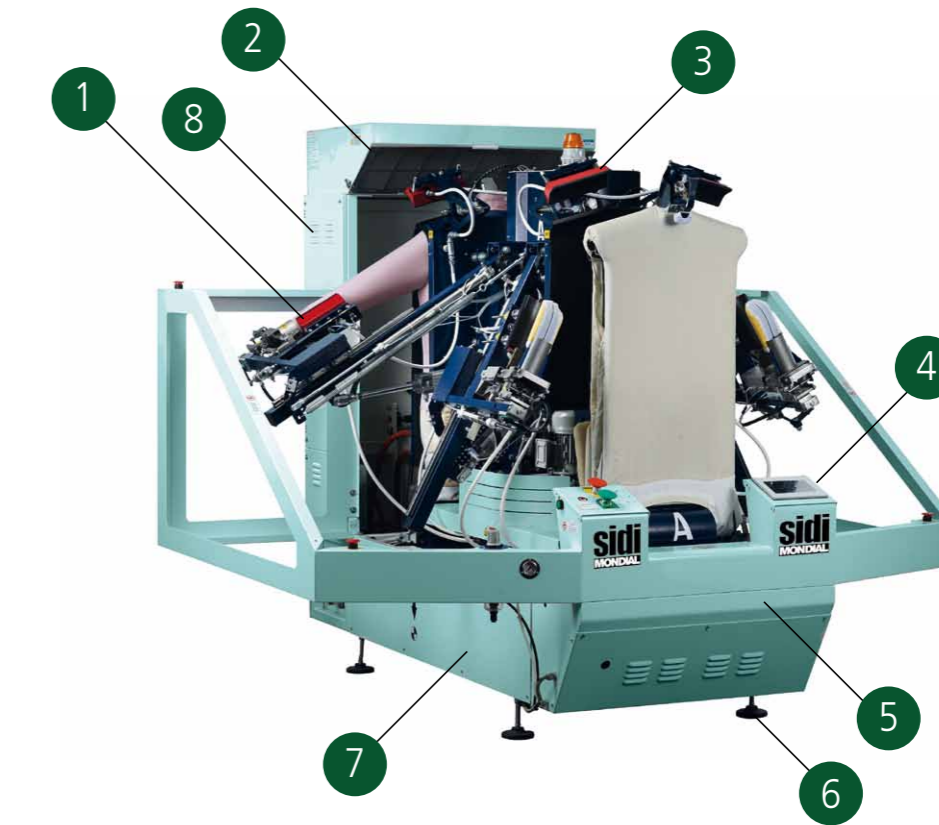


### Single Buck pressing shirt finisher

- Solid and compact structure with integrated blowing and vacuum in the machine's frame
- Teflon front and back pressing bucks to avoid shines on dark fabrics
- Height adjustable with positioning of the neck holder from a minimum of 143 cm to a maximum of 152 cm (56,5" : 60")
- Also available in SM version (body press only)

# VEGA

## ROTARY SHIRT PRESS



### Double Buck pressing shirt finisher

- Solid and compact structure with integrated blowing and vacuum in the machine's frame
- 3 teflon front and back pressing bucks to avoid shines on dark fabrics
- Height adjustable with positioning of the neck holder from a minimum of 150 cm to a maximum of 161 cm (59" : 63,5")
- High productivity with lower effort for the operator

## MAGIC, PEGASUS E VEGA.

### Common features:

- 1 Special rounded and rotating clamps with pneumatic height adjustment and special Teflon plackets heads for the excellent finish of the shirt's plackets. The sleeve arms resemble a reversed V thus ensuring a greater stability and allowing pneumatic stretching movements for a perfectly stretched sleeve.
- 2 System for the recapture of hot air from the upper part of the dummy, thus allowing a consistent reduction of drying times and energy consumptions.

- Available extras:
- Short sleeve device (only for Magic / Pegasus)
  - Small sized dummy
  - Water spray gun
  - Mirror
  - Electric iron for touch-ups (only for Magic / Magic SV)
  - Longer dummy for labcoats and shirts (only for Magic Total Electric version)

- 3 Teflon shoulder press device for the superb finish of yoke and shoulders and leave no shines on dark fabrics.
- 4 Color touch screen for the total control of the machine and the management of productivity, diagnostics and maintenance, even from a remote location (Ethernet port).
- 5 Reduced overall size for an easy installation even in small places. It can easily pass through a standard door (90cm / 36 inches).

- 6 Adjustable machine's height enabling ergonomic posture to every operators, regardless of his/her height.
- 7 Integrated steam circuit to improve energy efficiency reducing condensate and heat dispersions.
- 8 Easy access to the electrical and pneumatic panel for a smoother technical action.