



Washer for semi-commercial laundry applications

CW10

Features

- Freestanding: can be installed on any floor and any level
- Top, front and side panels standard available in white
- Stainless steel outer and inner drum
- Door opens 180° for easy loading and unloading
- Standard drain pump
- Redesigned soap box with 4 compartments
- 440 G-force extraction
 - removes more moisture
 - minimizes drying times and utility costs
- 6 wash programs including possibility of programming cycle modifier options
 - added prewash
 - extra wash time
 - extra rinse

Options

- Top, front and side panels in stainless steel
- Drain valve
- Coin-operated version for vended laundry applications



OPTIONAL

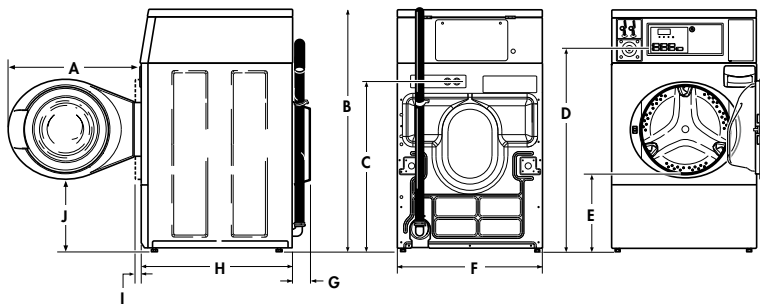
CW10

Capacity	
Drum volume	96,8 l
Motor	
Power motor	0,67 kW
Drum speed	
Spin speed	1200 rpm
G-force	440
Heating	
Electric	4,8 kW
Connections	
Electrical requirements	120/60/1-15A - 230/60/1-6A - 230/400/50/3 - 220/60/1-6A
Transport data	
Gross weight	132 kg
Net weight	122 kg
Dimensions HxWxD	OPL: 1027x683x704 mm - Vend: 1126x683x704 mm
Packing dimensions HxWxD	1156x737x832 mm
Packed volume	0,71m ³

A B C D E F G H I J

CW10	610	1126	813	938	371	683	52	704	40	333
------	-----	------	-----	-----	-----	-----	----	-----	----	-----

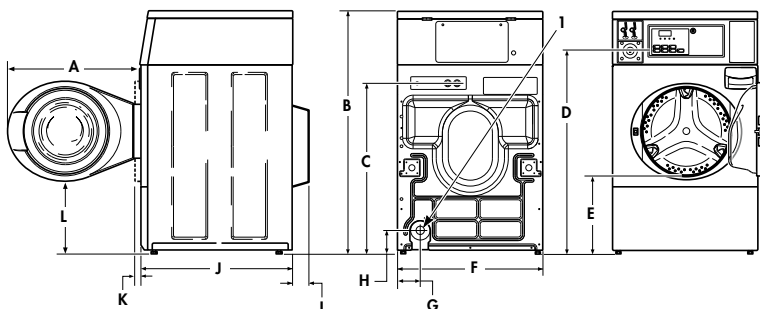
Models Equipped With Drain Hose



A B C D E F G H I J K L

CW10	610	1126	813	938	371	683	107	104	52	704	40	333
------	-----	------	-----	-----	-----	-----	-----	-----	----	-----	----	-----

Models With Gravity Drain



1 38 mm - Inside Diameter;
47 mm - Outside Diameter