



## Polyga L6 3D SCANNER

Large Parts **X** High Resolution

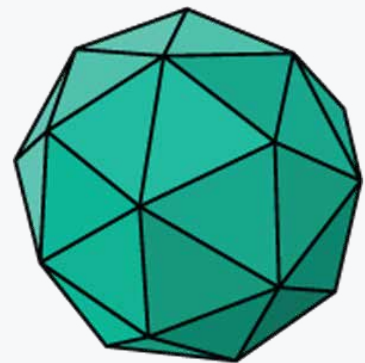
### Easy to Use, High Accuracy 3D Scanning

Convenient and easy to use, this professional 3D scanner is factory calibrated for accuracy to get you 3D scanning in no time. The Polyga Compact 3D scanners are great for any companies, manufacturers, academic institutions, visual effect studios, and research labs that need accurate and reliable 3D scan data for visualization and measurement applications including:

- Reverse engineering
- Computer and robotic vision
- Scientific measurement and documentation
- Quality inspection
- 3D modeling
- Rapid prototyping / 3D printing

Great for mechanical parts, robotic vision, human body and automotive.

L6 for parts:  
**20 cm to 100cm** in size





## Specifications

---

**Cameras:** 2 x 3 megapixel mono or color

---

**Accuracy:** 80 microns

---

**Average Points:** 3 Million

---

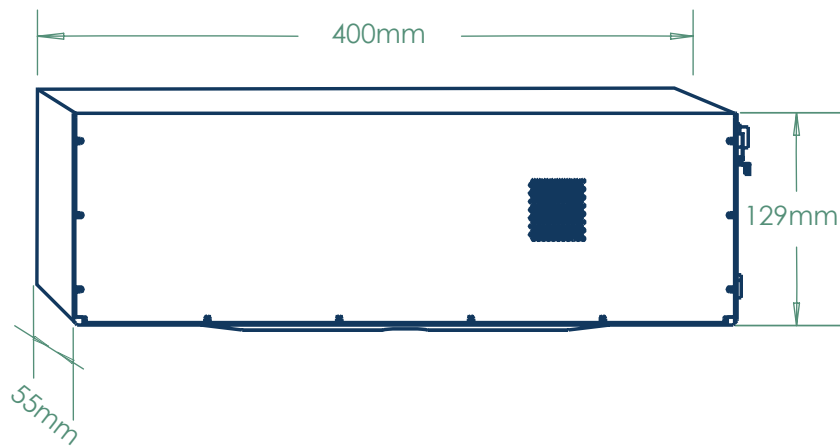
**Scan Speed:** 1200 ms

---

---

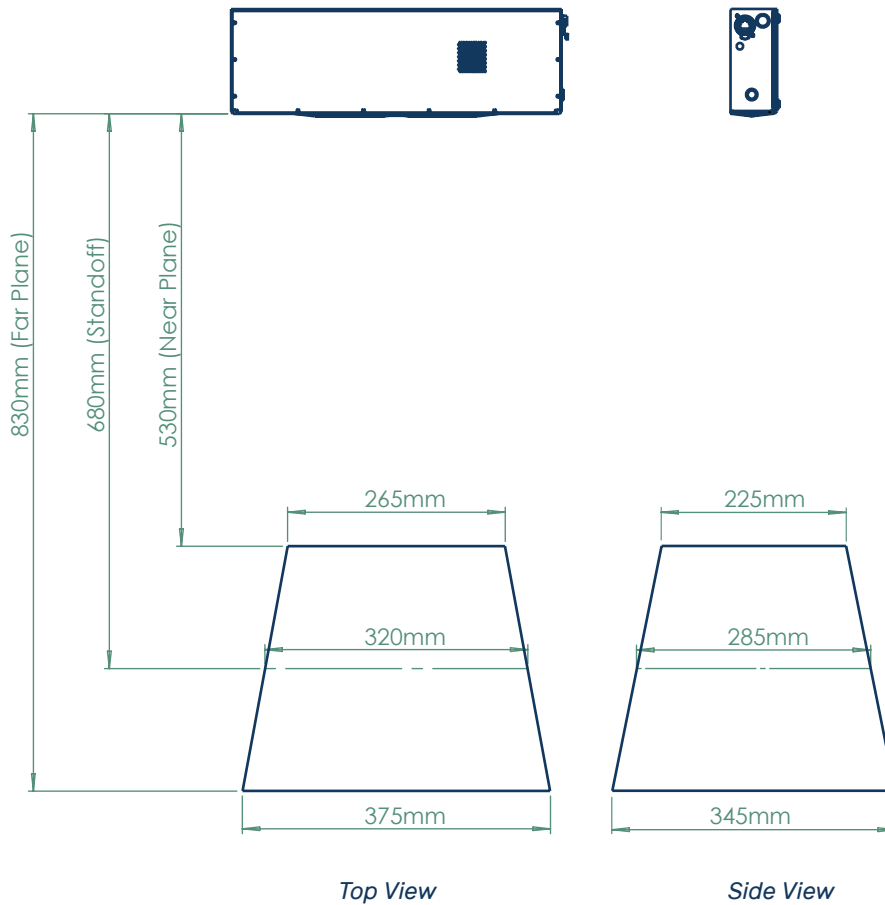
**Size:** 400mm x 129mm x 55mm

---



# Specifications

## Field of View & Standoff Distance



---

**Field of View:** 265 x 225 - 375 x 345 mm (400mm)

---

**Standoff:** 680 mm

---

**Point to Point Distance:** 0.18 mm

---

**Export Fromats:** PLY, STL, OBJ, ASC

---

**Scanning Software:** FlexScan3D

---